



# HD SERIES

Manual Y472280NXT



WINNTEC EUROPE

Rechtzaad 6, 4703 RC, Roosendaal, The Netherlands

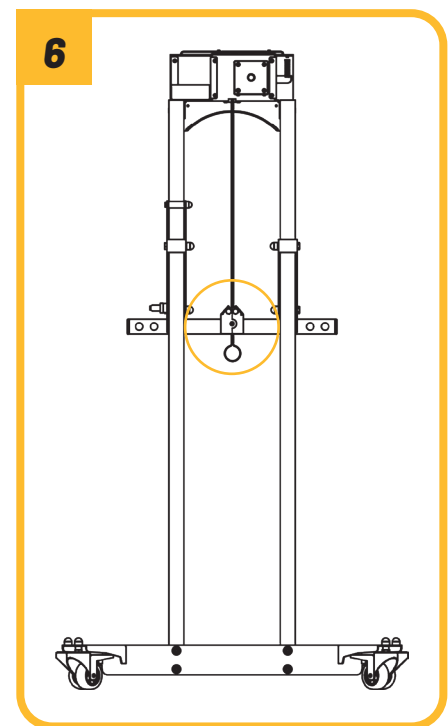
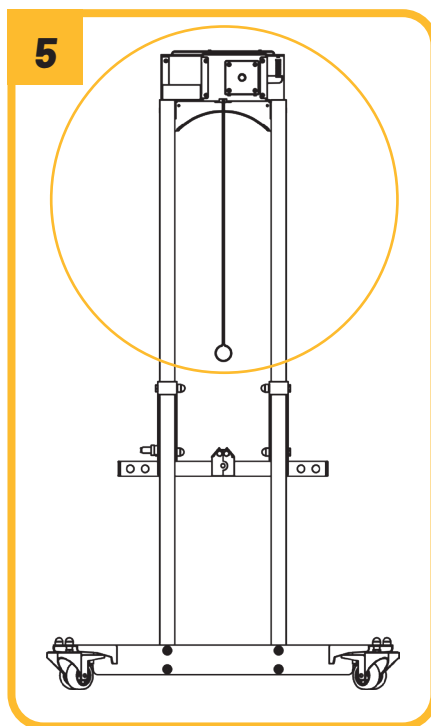
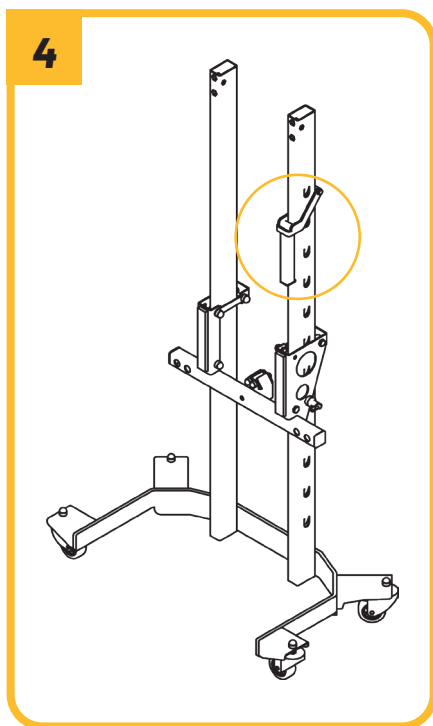
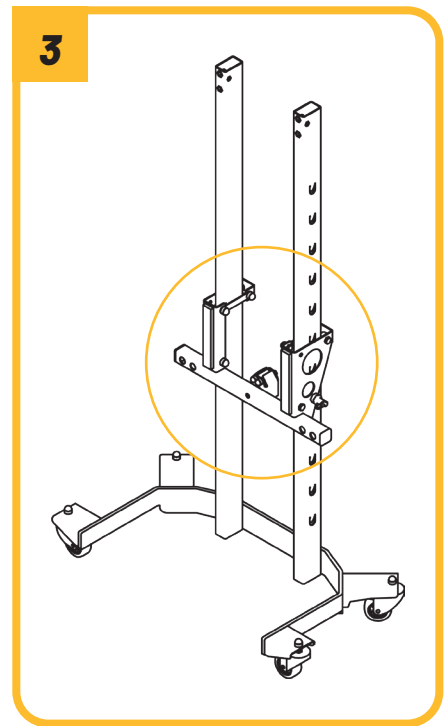
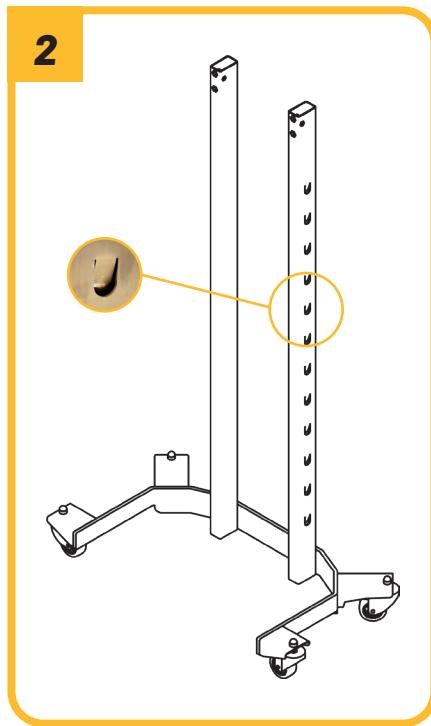
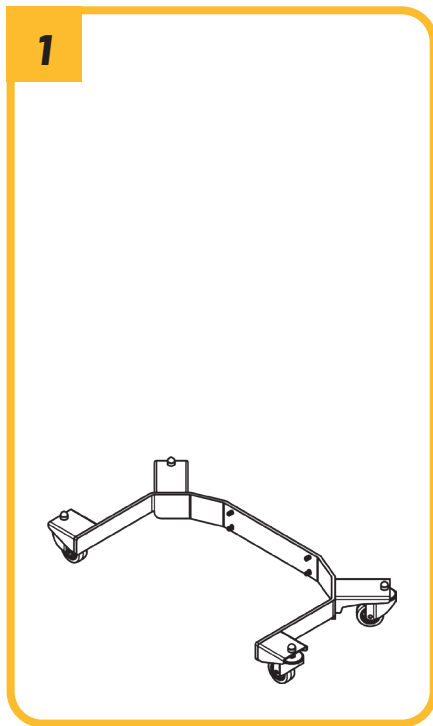
# HD Series

Manual Y472280NXT



VIDEO INSTRUCTIONS

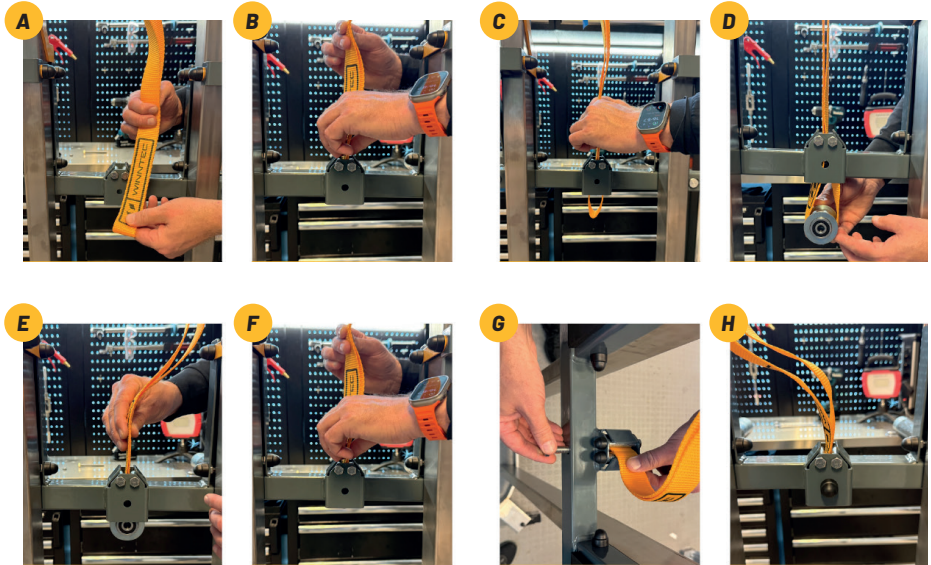
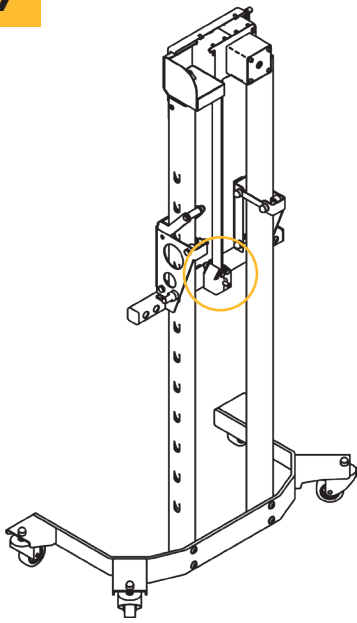
## 1. ASSEMBLY INSTRUCTIONS



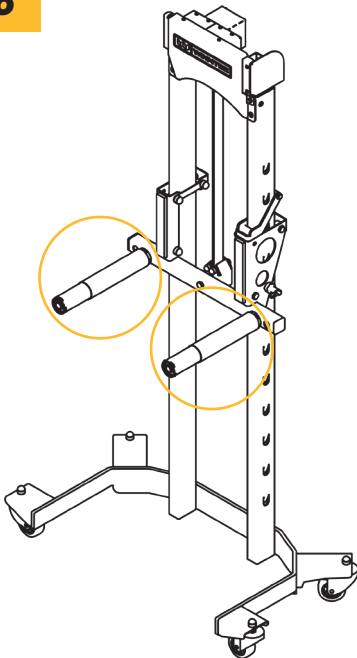
# HD Series

Manual Y472280NXT

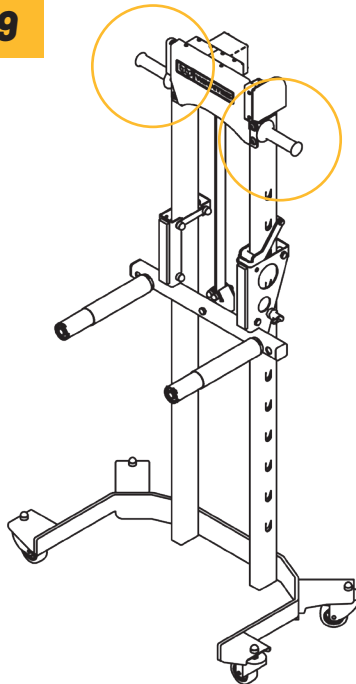
7



8

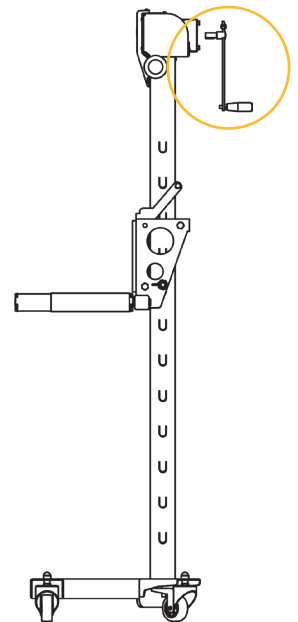


9



10

SEE CHAPTER 4.2



# HD Series

## Manual Y472280NXT

### 2. WARNINGS

<b>WARNING</b>	Always read and understand this manual before operating the NXT Wheel Lift.
<b>CAUTION</b>	Wear safety gloves and safety shoes during operation.
<b>DO NOT</b>	Exceed the rated load capacity of the lift.
<b>NEVER</b>	Stand under a lifted wheel.

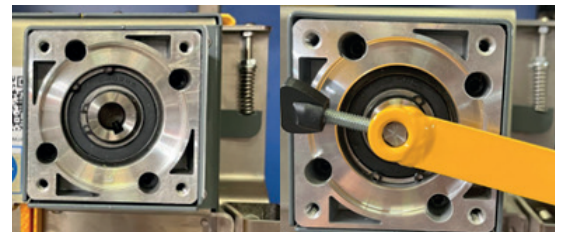
### 3. SPECIFICATIONS

Nett weight	45 kg
Capacity	70 kg
Max lifting height	1380 mm
Min lifting height	0 mm

### 4. BEFORE FIRST USE

#### 4.1 USING THE LIFT WITH HAND WRENCH

Place the hand wrench with the preinstalled bit into the gearbox. Turn clockwise to lift and turn counterclockwise to lower.



#### 4.2 INSTALLING YOUR DRILL

4.2.1 Install both of the horizontal holders



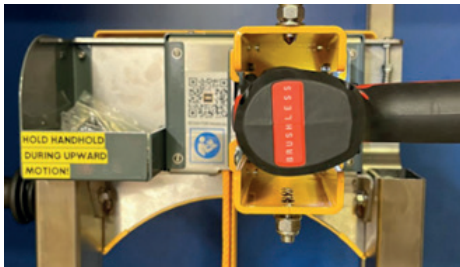
4.2.2 Deinstall the bit from the handwrench and place it into the drill



# HD Series

## Manual Y472280NXT

4.2.3 *Install the drill and adjust the height of the horizontal holders if necessary*



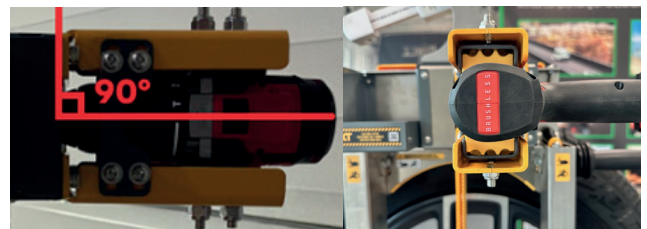
4.2.4 *Place the vertical brackets to fixate the holder*



4.2.5 *Place the U-brackets and plastic supporting blocks on the drill and tighten the screws to fixate the drill*



4.2.6 *Always make sure that the drill is in a 90° degree angle in both directions.*



## 5. OPERATION

### 5.1 LIFTING & LOWERING

Warning: Turn clockwise to lift and turn counterclockwise to lower.

Warning: Always make sure that your left hand is on the handgrip during lifting and lowering.

# HD Series

## Manual Y472280NXT

### 5.1.1 Lifting

a. Ensure that the lever of the mechanical locking system is in the 9 o'clock position.



b. Make sure that the grey coloured plastic sliders are in positions closely to the frame.



c. Place wheel between the rollers

d. Lift the wheel to the preferred height

### 5.1.2 Lowering

a. Make sure that the lever of the safety pin is facing towards you in a 90 degree position (3 o'clock) before lowering.

b. Now you can lower the wheel.

## 5.2 SECURING THE WHEEL

To transport a wheel using the lift:

1. Raise the wheel approximately 5 cm from the ground.
2. Attach the wheel lock securely to the tire. Place the wheel lock onto the tire.
3. Lift the wheel until the wheel lock clamps the tire firmly.
4. Verify by hand that the wheel is properly secured.
5. To release, lower the wheel and return the wheel lock to its initial position.

# HD Series

Manual Y472280NXT

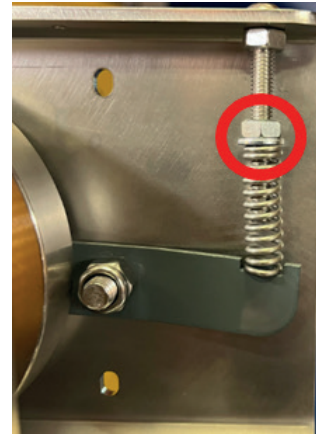
## 6. MAINTENANCE

### 6.1 BRAKE ADJUST

The break shoe is a wear and tear component. Depending on the intensity of use, it may be necessary to readjust the brake.

Tighten the brake by rotating the adjustment nut and compressing the spring.

Make adjustments in **one full turn increments** and test the tension.



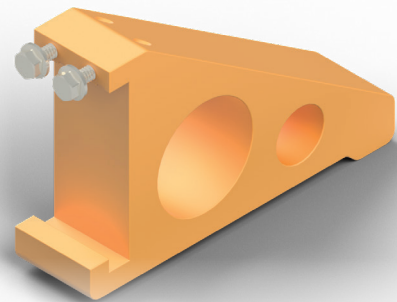
## 7. ACCESSORIES

Get the most out of your wheel lift with our high-quality accessories, designed for even greater ease of use, flexibility, and efficiency.

### 7.1 TIP-OVER PROTECTION

#### Part No. Y472280 NXT-TIP

Prevents the unit from tilting or overturning during operation. This safety feature provides additional stability on uneven workshop floors, sloped surfaces, and other challenging working conditions, ensuring safer and more reliable lifting performance.



## 8. WARRANTY

This WinnTec product is covered by a 3-year warranty from the date of purchase.

Note: Warranty does not cover wear and tear components.



# HD Series

## Manual Y472280NXT

### **F:** DÉCLARATION DE CONFORMITÉ

**Nous:** Winntec, Rechtzaad 6, 4703 RC Roosendaal (NL)  
déclarons sous notre seule responsabilité que les produits auxquels se réfère cette déclaration sont conformes aux dispositions des Directives: 2006/42/EC Machinery Directive

### **NL:** VERKLARING VAN OVEREENKOMST

**Wij:** Winntec, Rechtzaad 6, 4703 RC Roosendaal (NL)  
verklaren geheel onder eigen verantwoordelijkheid dat de volgende producten, waarop deze verklaring betrekking heeft, in overeenstemming zijn met de bepalingen van Richtlijn: 2006/42/EC Machinery Directive

### **I:** DICHIARAZIONE DI CONFORMITÀ

**Noi:** Winntec, Rechtzaad 6, 4703 RC Roosendaal (NL)  
dichiariamo sotto la nostra esclusiva responsabilità che i prodotti ai quali questa dichiarazione si riferisce sono conformi a quanto previsto dalle direttive: 2006/42/EC Machinery Directive

### **E:** DECLARACIÒN DE CONFORMIDAD

**Nosotros:** Winntec, Rechtzaad 6, 4703 RC Roosendaal (NL)  
declaramos bajo nuestra exclusiva responsabilidad la conformidad de los productos a los que refiere esta declaración, con las disposiciones de Directiva: 2006/42/EC Machinery Directive

### **P:** DECLARAÇÃO DE CONFORMIDADE

**Nós:** Winntec, Rechtzaad 6, 4703 RC Roosendaal (NL)  
declaramos, sob nossa única responsabilidade, que os seguintes produtos, incluídos nesta declaração estão em conformidade com o disposto na Directiva: 2006/42/EC Machinery Directive

### **SE:** FÖRSÄKRAN OM ÖVERENSSTÄMMELSE

**Vi:** Winntec, Rechtzaad 6, 4703 RC Roosendaal (NL)  
försäkrar under eget ansvar att följande produkter som omfattas av denna försäkran är i överensstämmelse med villkoren i direktiv: 2006/42/EC Machinery Directive

### **N:** ERKLÆRING OM OVERENSSTEMMELSE

**Vi:** Winntec  
**Adresse:** Winntec, Rechtzaad 6, 4703 RC Roosendaal (NL)  
erklærer på eget ansvar, at følgende produkter som dekkes av denne erklæringen, er i overensstemmelse med bestemmelsene i Direktiv: 2006/42/EC Machinery Directive

### **DK:** ÖVERENSSTEMMELSESERKLÆRING

**Vi:** Winntec, Rechtzaad 6, 4703 RC Roosendaal (NL)  
erklærer på eget ansvar et følgende produkter som er omfattet af denne erklæring, er i overensstemmelse med bestemmelserne i Direktiv: 2006/42/EC Machinery Directive

### **Fin:** ÖVERENSSTEMMELSESERKLÆRING

**Me:** Winntec, Rechtzaad 6, 4703 RC Roosendaal (NL)  
vakuutamme yksinomaan omalia vastuullamme, että seuraavat tuotteet, joihin tämä vakuutus liittyy, ovat seuraavien direktiivien vaatimusten mukaisia: 2006/42/EC Machinery Directive

### **GB:** DECLARATION OF CONFORMITY

**We:** Winntec, Rechtzaad 6, 4703 RC Roosendaal (NL)  
declare under our sole responsibility that the following products to which this declaration relates conform with the provisions of Directives: 2006/42/EC Machinery Directive

### **D:** KONFORMITÄTSEKTLÄRUNG

**Wir:** Winntec, Rechtzaad 6, 4703 RC Roosendaal (NL)  
erklären auf eigene Verantwortung, daß folgende Produkte, auf die sich diese Erklärung bezieht, mit den Bedingungen der Direktiven: 2006/42/EC Machinery Directive

Typ,tyyppi,type,type,type,Typ,type,tipo,type,tipo,tipo: **Y472280NXT**



**Ralph Dubbeldam**  
Managing Director  
Winntec, 2025-10-27  
Roosendaal, The Netherlands