

**WHEEL BALANCER SYSTEM
ACCESSORIES CATALOG**



HIGH PERFORMANCE WHEEL BALANCERS



TABLE OF CONTENTS

AUTOMOTIVE *WHEEL BALANCING SYSTEM*

ACCESSORIES AND KITS

- » Precision Tooling Kits 4-7
- » Collets & Cone Kits 8-9
- » Additional Accessories 9-11

MOTORCYCLE *WHEEL BALANCING SYSTEM*

ACCESSORIES AND KITS

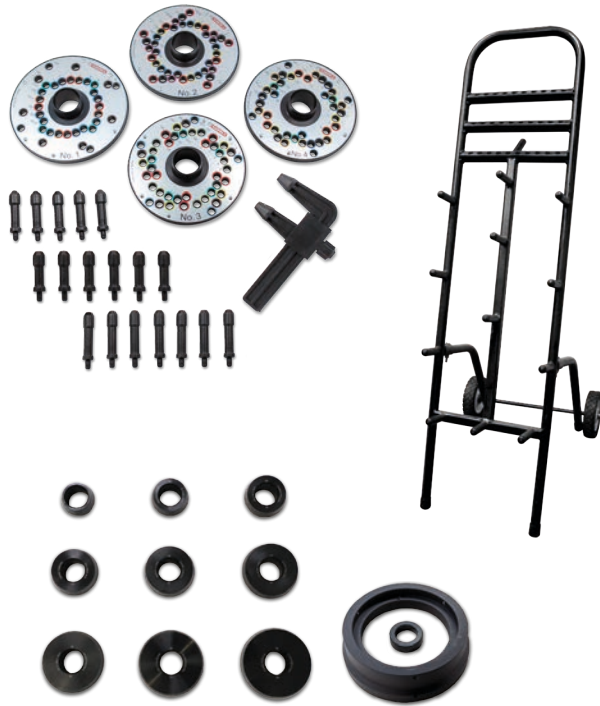
- » Motorcycle Balancer Accessories 12-13

HEAVY-DUTY *WHEEL BALANCING SYSTEM*

ACCESSORIES AND KITS

- » Heavy-Duty Balancer Accessories 14-15

EAKO309J32B



FLANGE PLATE KIT WITH COLLETS

- ▶ **241E801-409 FLANGE PLATE #1**
 - » 4x 95.25mm (3.75"), 98mm, 100mm, 101.6mm (4"), 108mm, 114.3mm (4.5"), 170mm
 - » 7x 150mm
- ▶ **251E801-409 FLANGE PLATE #2**
 - » 5x 98mm, 105mm, 108mm, 110mm, 115mm, 120.65mm (4.75"), 135mm, 154.95mm
- ▶ **251E901-409 FLANGE PLATE #3**
 - » 5x 100mm, 112mm, 114.3mm (4.5"), 120mm, 127mm (5"), 130mm, 139.7mm (5.5"), 150mm, 165.1mm (6.5")
- ▶ **231E111-409 FLANGE PLATE #4**
 - » 3x 98mm, 112mm, 114.3mm (4.5"), 115mm, 127mm (5"), 130mm, 132mm, 120mm
 - » 4x 165.1mm (6.5")
 - » 6x 135, 139.7mm (5.5")
- ▶ **271-904-119 (5 PINS)**
 - » Rounded Pin
 - Head Ø 24.5mm
 - Length 90mm
- ▶ **271-804-118 (6 PINS)**
 - » Short Tapered Pin
 - Head Ø 34.5mm
 - Length 80mm
- ▶ **271-994-121 (7 PINS)**
 - » Long Tapered Pin
 - Head Ø 22.5mm
 - Length 100mm
- ▶ **EAM0192G23A COLLET #1**
 - » 48.3–61mm / 2.29–2.40"
- ▶ **EAM0192G24A COLLET #2**
 - » 55.9–68.6mm / 2.20–2.70"
- ▶ **EAM0192G25A COLLET #3**
 - » 63.50–76.2mm / 2.50–3.00"
- ▶ **EAM0192G26A COLLET #4**
 - » 71.1–83.8mm / 2.79–3.29"
- ▶ **EAM0192G27A COLLET #5**
 - » 78.7–91.4mm / 3.09–3.59"
- ▶ **EAM0192G28A COLLET #6**
 - » 86.4–99.1mm / 3.40–3.90"
- ▶ **EAM0192G29A COLLET #7**
 - » 94–106.7mm / 3.70–4.20"
- ▶ **EAM0192G30A COLLET #8**
 - » 101.6–114.3mm / 4.00–4.50"
- ▶ **EAM0192G31A COLLET #9**
 - » 109.2–121.9mm / 4.29–4.79"
- ▶ **EAKO309J54A SPACER KIT**
- ▶ **ERS2081J30AB STORAGE STAND**
- ▶ **490-008-000 MEASURING TOOL**
- ▶ **VID-20X-001 APPLICATION GUIDE**

200-008-402



FLANGE PLATE SET

- ▶ **241E801-409 FLANGE PLATE #1**
 - » 4x 95.25mm (3.75"), 98mm, 100mm, 101.6mm (4"), 108mm, 114.3mm (4.5"), 170mm
 - » 7x 150mm
- ▶ **251E801-409 FLANGE PLATE #2**
 - » 5x 98mm, 105mm, 108mm, 110mm, 115mm, 120.65mm (4.75"), 135mm, 154.95mm
- ▶ **251E901-409 FLANGE PLATE #3**
 - » 5x 100mm, 112mm, 114.3mm (4.5"), 120mm, 127mm (5"), 130mm, 139.7mm (5.5"), 150mm, 165.1mm (6.5")
- ▶ **231E111-409 FLANGE PLATE #4**
 - » 3x 98mm, 112mm, 114.3mm (4.5"), 115mm, 127mm (5"), 130mm, 132mm, 120mm
 - » 4x 165.1mm (6.5")
 - » 6x 135, 139.7mm (5.5")
- ▶ **271-904-119 (5 PINS)**
 - » Rounded Pin
 - Head Ø 24.5mm
 - Length 90mm
- ▶ **271-804-118 (6 PINS)**
 - » Short Tapered Pin
 - Head Ø 34.5mm
 - Length 80mm
- ▶ **271-994-121 (7 PINS)**
 - » Long Tapered Pin
 - Head Ø 22.5mm
 - Length 100mm
- ▶ **EAKO309J54A SPACER KIT**
- ▶ **ERS2081J30AB STORAGE STAND**
- ▶ **490-008-000 MEASURING TOOL**
- ▶ **VID-20X-001 APPLICATION GUIDE**

POWER CLAMP SPEED PLATE KIT WITH COLLETS

EAK0309J33C

- ▶ **SPEED PLATE (4 & 8 LUG WHEELS)**
 - » PCD Range: 92.25–180mm
- ▶ **SPEED PLATE (5 LUG WHEELS)**
 - » PCD Range: 92.25–180mm
- ▶ **SPEED PLATE (6 LUG WHEELS)**
 - » PCD Range: 92.25–180mm
- ▶ **SHORT CONE SEAT STUD (6 STUDS)**
 - » Head Ø 28mm
 - » Body Length 25mm
 - » Overall Length 80mm
- ▶ **NARROW CONE SEAT STUD (6 STUDS)**
 - » Head Ø 19mm
 - » Body Length 40mm
 - » Overall Length 95mm
- ▶ **BALL SEAT STUD (6 STUDS)**
 - » Head Ø 24.5mm
 - » Body Length 50mm
 - » Overall Length 95mm
- ▶ **LONG BALL SEAT STUD (6 STUDS)**
 - » Head Ø 22.5mm
 - » Body Length 65mm
 - » Overall Length 120mm
- ▶ **EAM0192G23A COLLET #1**
 - » 48.3–61mm / 2.29–2.40"
- ▶ **EAM0192G24A COLLET #2**
 - » 55.9–68.6mm / 2.20–2.70"
- ▶ **EAM0192G25A COLLET #3**
 - » 63.50–76.2mm / 2.50–3.00"
- ▶ **EAM0192G26A COLLET #4**
 - » 71.1–83.8mm / 2.79–3.29"
- ▶ **EAM0192G27A COLLET #5**
 - » 78.7–91.4mm / 3.09–3.59"
- ▶ **EAM0192G28A COLLET #6**
 - » 86.4–99.1mm / 3.40–3.90"
- ▶ **EAM0192G29A COLLET #7**
 - » 94–106.7mm / 3.70–4.20"
- ▶ **EAM0192G30A COLLET #8**
 - » 101.6–114.3mm / 4.00–4.50"
- ▶ **EAM0192G31A COLLET #9**
 - » 109.2–121.9mm / 4.29–4.79"
- ▶ **EAK0309J54A SPACER KIT**
- ▶ **EAS2081J30AB STORAGE STAND**



POWER CLAMP SPEED PLATE KIT

EAK0309J38D

- ▶ **SPEED PLATE (4 & 8 LUG WHEELS)**
 - » PCD Range: 92.25–180mm
- ▶ **SPEED PLATE (5 LUG WHEELS)**
 - » PCD Range: 92.25–180mm
- ▶ **SPEED PLATE (6 LUG WHEELS)**
 - » PCD Range: 92.25–180mm
- ▶ **SHORT CONE SEAT STUD (6 STUDS)**
 - » Head Ø 28mm
 - » Body Length 25mm
 - » Overall Length 80mm
- ▶ **NARROW CONE SEAT STUD (6 STUDS)**
 - » Head Ø 19mm
 - » Body Length 40mm
 - » Overall Length 95mm
- ▶ **BALL SEAT STUD (6 STUDS)**
 - » Head Ø 24.5mm
 - » Body Length 50mm
 - » Overall Length 95mm
- ▶ **LONG BALL SEAT STUD (6 STUDS)**
 - » Head Ø 22.5mm
 - » Body Length 65mm
 - » Overall Length 120mm



EAK0309J16D



SPEED PLATE KIT

- ▶ **SPEED PLATE (4 & 8 LUG WHEELS)**
 - » PCD Range: 92.25–180mm
- ▶ **SPEED PLATE (5 LUG WHEELS)**
 - » PCD Range: 92.25–180mm
- ▶ **SPEED PLATE (6 LUG WHEELS)**
 - » PCD Range: 92.25–180mm
- ▶ **SHORT CONE SEAT STUD (6 STUDS)**
 - » Head Ø 28mm
 - » Body Length 25mm
 - » Overall Length 80mm
- ▶ **NARROW CONE SEAT STUD (6 STUDS)**
 - » Head Ø 19mm
 - » Body Length 40mm
 - » Overall Length 95mm
- ▶ **BALL SEAT STUD (6 STUDS)**
 - » Head Ø 24.5mm
 - » Body Length 50mm
 - » Overall Length 95mm
- ▶ **LONG BALL SEAT STUD (6 STUDS)**
 - » Head Ø 22.5mm
 - » Body Length 65mm
 - » Overall Length 120mm

SPEED PLATE SPARE PARTS



- ▶ **1-49684A AUTO CLAMP HANDLE**
 - » For Power Clamp Shaft
- ▶ **1-49784A (1 STUD)**
 - » Short Cone Seat Stud
 - » Head Ø 28mm
 - » Body Length 25mm
 - » Overall Length 80mm
- ▶ **1-49884A (1 STUD)**
 - » Ball Seat Stud
 - » Head Ø 22.5mm
 - » Body Length 40mm
 - » Overall Length 95mm
- ▶ **1-49984A (1 STUD)**
 - » Narrow Cone Seat Stud
 - » Head Ø 19mm
 - » Body Length 40mm
 - » Overall Length 95mm
- ▶ **1-50084A (1 STUD)**
 - » Long Ball Seat Stud
 - » Head Ø 22.5mm
 - » Body Length 65mm
 - » Overall Length 120mm
- ▶ **1-49384A SPEED PLATE FOR 4 & 8 LUGS**
- ▶ **1-49484A SPEED PLATE FOR 5 LUGS**
- ▶ **1-49584A SPEED PLATE FOR 6 LUGS**

EAK0309J41B



POWER CLAMP MEDIUM DUTY KIT

- ▶ **700-816-034 PIN PLATE**
 - » 4x 165.1mm (6.6"), 170mm, 180mm, 200mm, 210mm, 225mm
 - » 5x 184.15mm (7.25"), 225mm
- ▶ **160-400-083 HUB PILOT DISK #15**
 - » GM/Ford
 - 4.87–4.90"/5.24–5.26"
 - 5.44–5.47"/6.06–6.09"
- ▶ **160-400-084 HUB PILOT DISK #16**
 - » Dodge/Sprinter/Isuzu/Ford (DRW)
 - 5.57–5.62"/6.23–6.35"
 - 6.44–6.52"/6.68–6.74"
- ▶ **160-400-082 HUB PILOT DISK #17**
 - » 3/4 or 1-Ton:
 - GM/Dodge/Ford/Nissan/Ram
 - 4.55–4.58"/4.59–4.62"
 - 4.76–4.79"/4.86–4.94"
- ▶ **EAA0277059A LARGE SPACER DISK**
- ▶ **700-008-035 (5 PINS)**
 - » Conical Head
 - Head Ø 24.5mm
 - Length 66mm

MEDIUM DUTY KIT

EAK0309J40B

- ▶ **700-400-034 PIN PLATE**
 - » 4x 165.1mm (6.6"), 170mm, 180mm, 200mm, 210mm, 225mm
 - » 5x 184.15mm (7.25"), 225mm
- ▶ **160-400-083 HUB PILOT DISK #15**
 - » GM/Ford
 - 4.87–4.90"/5.24–5.26"
 - 5.44–5.47"/6.06–6.09"
- ▶ **160-400-084 HUB PILOT DISK #16**
 - » Dodge/Sprinter/Isuzu/Ford (DRW)
 - 5.57–5.62"/6.23–6.35"
 - 6.44–6.52"/6.68–6.74"
- ▶ **160-400-082 HUB PILOT DISK #17**
 - » 3/4 or 1-Ton:
 - GM/Dodge/Ford/Nissan/Ram
 - 4.55–4.58"/4.59–4.62"
 - 4.76–4.79"/4.86–4.94"
- ▶ **EAA0277059A LARGE SPACER DISK**
- ▶ **700-008-035 [5 PINS]**
 - » Conical Head
 - Head Ø 24.5mm
 - Length 66mm



SHORT SPARE PIN

700-008-035

- ▶ **700-008-035 66MM PIN**
 - » Conical Head
 - Head Ø 24.5mm
 - Length 66mm



LONG SPARE PIN

700-008-036

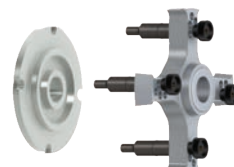
- ▶ **700-008-036 90MM PIN**
 - » Conical Head
 - Head Ø 24.5mm
 - Length 90mm



GMC SIERRA CENTERING KIT

280 400 113

- ▶ **160-400-067 CENTERING DISK**
 - » Hub pilot disk double-sided
 - Ø 154mm / Ø 124mm
- ▶ **700E 400 019 4-ARM LUG ADAPTER (Ø 170/180/200/210/225)**
- ▶ **700 008 028 CENTERING BOLT**
- ▶ **400E 008 027 KNURLED NUT M10**



280 400 075



LIGHT TRUCK ADAPTOR KIT

- ▶ 160-400-056 CENTERING DISK
 - » Ø 161mm
- ▶ 700E 400 018 3-ARM STAR
- ▶ 700E 008 025 3X STUDS DODGE/SPRINTER
- ▶ 700E 008 013 3X STUDS FAR EAST
- ▶ 700E 008 013 3X STUDS EUROPE
- ▶ 840E 100 001 3X KNURLED NUT

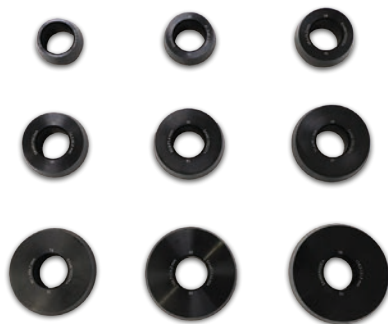
EAK0309J31B



STANDARD TOOLING KIT

- ▶ EAM0192G23A COLLET #1
 - » 48.3–61mm / 2.29–2.40"
- ▶ EAM0192G24A COLLET #2
 - » 55.9–68.6mm / 2.20–2.70"
- ▶ EAM0192G25A COLLET #3
 - » 63.50–76.2mm / 2.50–3.00"
- ▶ EAM0192G26A COLLET #4
 - » 71.1–83.8mm / 2.79–3.29"
- ▶ EAM0192G27A COLLET #5
 - » 78.7–91.4mm / 3.09–3.59"
- ▶ EAM0192G28A COLLET #6
 - » 86.4–99.1mm / 3.40–3.90"
- ▶ EAM0192G29A COLLET #7
 - » 94–106.7mm / 3.70–4.20"
- ▶ EAM0192G30A COLLET #8
 - » 101.6–114.3mm / 4.00–4.50"
- ▶ EAM0192G31A COLLET #9
 - » 109.2–121.9mm / 4.29–4.79"
- ▶ EAK0309J54A SPACER KIT
- ▶ EAS2081J30AB STORAGE STAND

EAK0375G07A



NINE COLLET SET

- ▶ EAM0192G23A COLLET #1
 - » 48.3–61mm / 2.29–2.40"
- ▶ EAM0192G24A COLLET #2
 - » 55.9–68.6mm / 2.20–2.70"
- ▶ EAM0192G25A COLLET #3
 - » 63.50–76.2mm / 2.50–3.00"
- ▶ EAM0192G26A COLLET #4
 - » 71.1–83.8mm / 2.79–3.29"
- ▶ EAM0192G27A COLLET #5
 - » 78.7–91.4mm / 3.09–3.59"
- ▶ EAM0192G28A COLLET #6
 - » 86.4–99.1mm / 3.40–3.90"
- ▶ EAM0192G29A COLLET #7
 - » 94–106.7mm / 3.70–4.20"
- ▶ EAM0192G30A COLLET #8
 - » 101.6–114.3mm / 4.00–4.50"
- ▶ EAM0192G31A COLLET #9
 - » 109.2–121.9mm / 4.29–4.79"

BASIC LIGHT TRUCK CONE KIT**8100068**

- ▶ **EAM0050J23A LIGHT TRUCK CONE**
 - » 4.25–6.85" / 107.19–174mm
- ▶ **EAA0277D59A LARGE SPACER DISC**
- ▶ **EAC0058D68A SPACER RING**

**QUICK-NUT KIT****124-405-006**

- ▶ **140-405-412 QUICK-NUT**
 - » 40mm shaft
- ▶ **8-D2040A2 PRESSURE CUP**
- ▶ **00110410000 PROTECTIVE RING**
- ▶ **8-D2040A1 PRESSURE RING**

**UNIVERSAL WHEEL LIFT****EAK0306G66A**

- ▶ **EAK0306G66A UNIVERSAL WHEEL LIFT**
 - » Pneumatic
 - » Foot operated control
 - » Max weight 153lbs
 - » Max lift 20"
 - » WxDxH: 49"x 25"x 38"

Not for integrated hood balancers or heavy-duty balancers



140E-405-310



QUICK-NUT REPAIR KIT

► 140E-405-310 REPAIR KIT

For use with Quick-Nut 140-405-412

EAA0263G66A



QUICK-NUT

► EAA0263G66A QUICK-NUT
» 40mm shaft

EAC0058D08A



QUICK-NUT PRESSURE DISC

► EAC0058D08A PRESSURE DISC

For use with Quick-Nut EAA0263G66A

ST0027008



QUICK-NUT REPLACEMENT HANDLE

► ST0027008 REPLACEMENT HANDLE

For use with Quick-Nut EAA0263G66A

QUICK-NUT PREASSURE CUPS



► 8-02040A2 PRESSURE CUP
► 001 1041 0000 REPLACEMENT RING
For use with Quick-Nut 140405412

► EAC0058D07A PRESSURE CUP
► EAC0058D15A REPLACEMENT RING
For use with Quick-Nut EAA0263G66A

► EAA0307G82A CLAMPING PLATE

RIM WIDTH CALIPER**EAA0247G21A**

- ▶ **EAA0247G21A RIM WIDTH CALIPER**
 - » Manual measurement tool

**WEIGHT PLIERS****000 5883 9000**

- ▶ **000 5883 9000 WEIGHT PLIERS**

**BLACK STORAGE STAND****EAS2011J30AB**

- ▶ **EAS2011J30AB BLACK STORAGE STAND**

**RETROFIT KIT FOR PINS****EAK0341G70A**

- ▶ **EAK0341G70A RETROFIT KIT FOR PINS**



EAA0260D80A



MOTORCYCLE ADAPTER KIT

- ▶ **EAA0260D80A**
 - » Basic Adapter
- ▶ **ERM0005D48A**
 - » 14mm Adapter Shaft
- ▶ **ERM0005D79A**
 - » Knurled Nut M14
- ▶ **ERM0005D63A (4PCS)**
 - » Fastening Nuts M6
- ▶ **ERM0005D62A**
 - » Gauge Extension
- ▶ **8-01550A**
 - » Arbor Wrench
- ▶ **1-01805A (2PCS)**
 - » Allen Screws
- ▶ **ERM0005D83A**
 - » 25x14x40mm Bushing (ODxIDxL)
- ▶ **ERM0005D80A (2PCS)**
 - » 15x17x25mm BMW Bushings
- ▶ **ERM0005D77A**
 - » 20x14x40mm Bushing
- ▶ **ERM0005D78A**
 - » 17x14x40mm Bushing
- ▶ **ERM0005D82A (2PCS)**
 - » Centering Cones
- ▶ **ERM0005D76A (2PCS)**
 - » BMW Cones

EAA0277D07A



SUZUKI, NTV & MOTO GUZZI V11

- ▶ **EAA0277D07A CONE SET**
 - » Suzuki, NTV & Moto Guzzi V11

For use with 14mm shaft

For use with EAA0260D80A

EAA0277D11A



APRILLA REAR MONO-LEVER

- ▶ **EAA0277D11A MOTORCYCLE ACCESSORY**
 - » Aprilla Rear Mono-Lever

For use with EAA0260D80A

EAA0260D16A



BMW MONO-LEVER

- ▶ **EAA0260D16A MOTORCYCLE ACCESSORY**
 - » BMW Mono-Lever

For use with EAA0260D80A

EAA0277D09A



HONDA OR YAMAHA MONO-LEVER

- ▶ **EAA0277D09A MOTORCYCLE ACCESSORY**
 - » Honda or Yamaha Mono-Lever

For use with EAA0260D80A

10MM SHAFT ADAPTER

EAA0277D03A

- ▶ **EAA0277D03A MOTORCYCLE ACCESSORY**
 - » 10mm Shaft Adapter
 - » Shaft Length: 205mm

For use with EAA0260D80A



EXTENDED SHAFT ADAPTER

EAA0277D29A

- ▶ **EAA0277D29A MOTORCYCLE ACCESSORY**
 - » Extended Shaft Adapter
 - » Shaft Length: 284.5mm
 - » Shaft Diameter: 14mm

For use with EAA0260D80A



3/4" HARLEY DAVIDSON SHAFT ADAPTER

EAA0277D22A

- ▶ **EAA0277D22A MOTORCYCLE ACCESSORY**
 - » 3/4" Harley Davidson Shaft Adapter w/1" Bushing
 - » Shaft Length: 210mm

For use with EAA0260D80A



DUCATI OR TRIUMPH MONO-LEVER ADAPTER

EAA0277D20A

- ▶ **EAA0277D20A MOTORCYCLE ACCESSORY**
 - » Ducati/Triumph Wheel Shaft Adapter

Must use with 3/4" Shaft Adapter EAA0277D22A

For use with EAA0260D80A



HARLEY DAVIDSON SHAFT ADAPTER

2005540

- ▶ **2005540 MOTORCYCLE ACCESSORY**
 - » Shaft Ø 3/4"
 - » Bushing Ø 1" / 25mm
 - » Shaft Length 404mm

For use with EAA0260D80A



EAA0346J58A

HEAVY-DUTY WHEEL LIFT



- ▶ **EAA0346J58A HEAVY-DUTY WHEEL LIFT**
 - » Pneumatic
 - » Hand operated control
 - » Max weight 551lbs
 - » Max lift 18"
 - » WxDxH: 41 x 23"x 21"

For heavy-duty balancers only

EAA0307G80A

4 & 5-STAR CENTERING ARMS KIT



- ▶ **PROFESSIONAL 4-STAR CENTERING ARM**
 - » Fits 4x275/285mm
- ▶ **PROFESSIONAL 5-STAR CENTERING ARM**
 - » Fits 10x335mm
 - » 10x285.75mm
 - » 10x225.25mm

1921003

REPLACEMENT TRUCK STUD



- ▶ **1921003 TRUCK STUD**
 - » Fits Professional 4 & 5-Star Centering Arms
 - » Includes Knurled Nut
 - » Length: 55mm
 - » Diameter: 17-33.5mm

00112105000

REPLACEMENT TRUCK STUD



- ▶ **00112105000 TRUCK STUD**
 - » Fits Professional 4 & 5-Star Centering Arms
 - » Includes Knurled Nut
 - » Length 58mm
 - » Diameter 17-38mm

190 E 988 002

PASSENGER CAR SPACER



- ▶ **190 E 988 002 PASSENGER CAR SPACER**
 - » For units assembled after 10/2021

WING NUT

140 404 119

- ▶ **140 404 119 WING NUT**
- » For units assembled after 10/2021



REPLACEMENT KNURLED NUT

00112106000

- ▶ **00112106000 KNURLED NUT**
- » Fits Truck Studs 1921003 / 00112105000



SPARE PIN AND NUT

EAK0237J23A

- ▶ **700-008-034 PIN**
- » Style - Wide Conical Head
- Head Ø 40.0mm
- Length 33.5mm



HEAVY-DUTY ACCESSORIES

- ▶ **EAM0050J24A CENTERING CONE**
- » Bushing 8-9" (203-228mm)



- ▶ **8-00391A RIM WIDTH CALIPER**
- » For truck wheels



- ▶ **EAA0260D32A HEAVY-DUTY SPACER**



- ▶ **00112292000 CENTERING DISC**
- » 8.69" (220.8mm)





www.hofmann-equipment.com