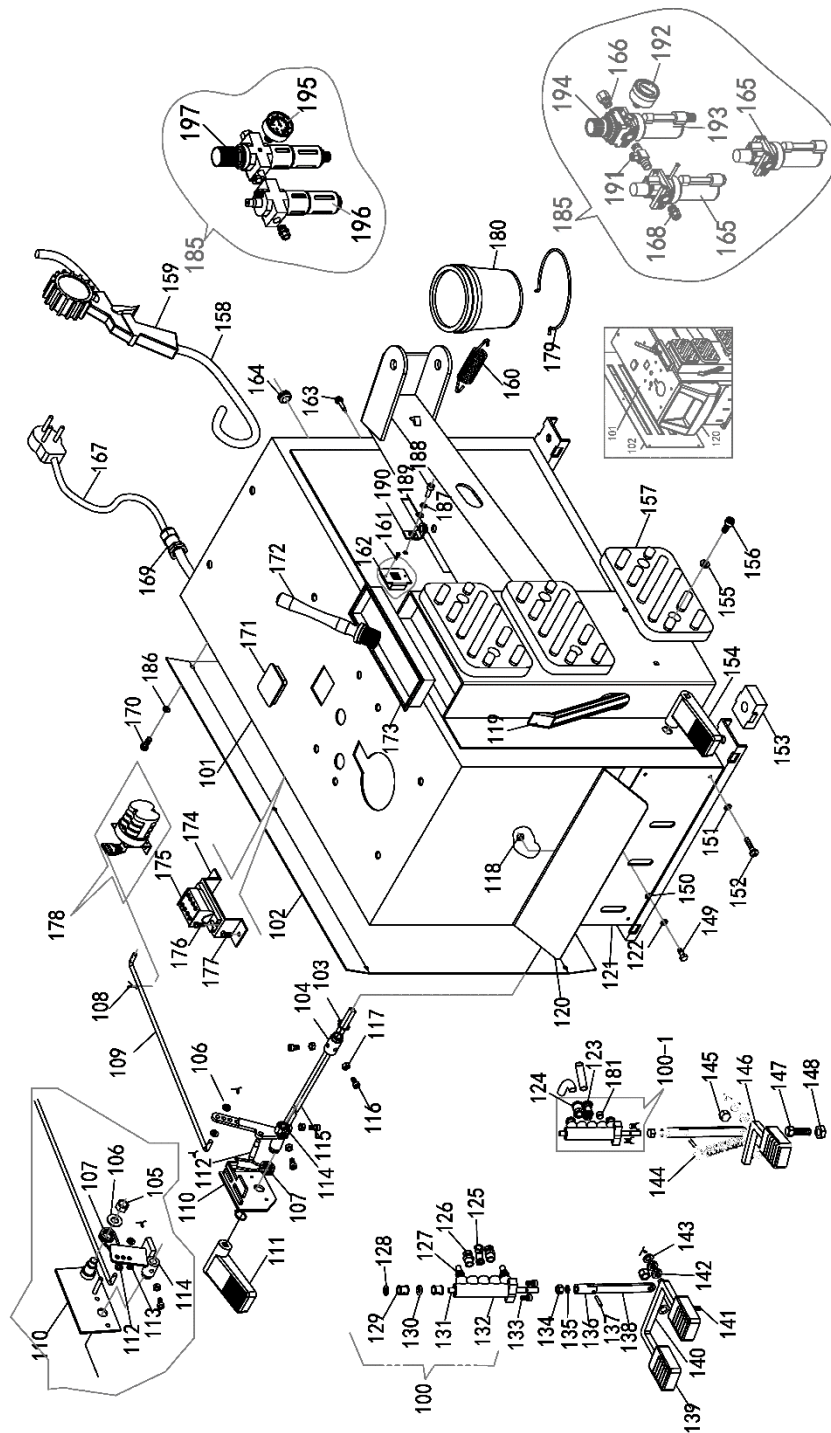


Parts

Cabinet



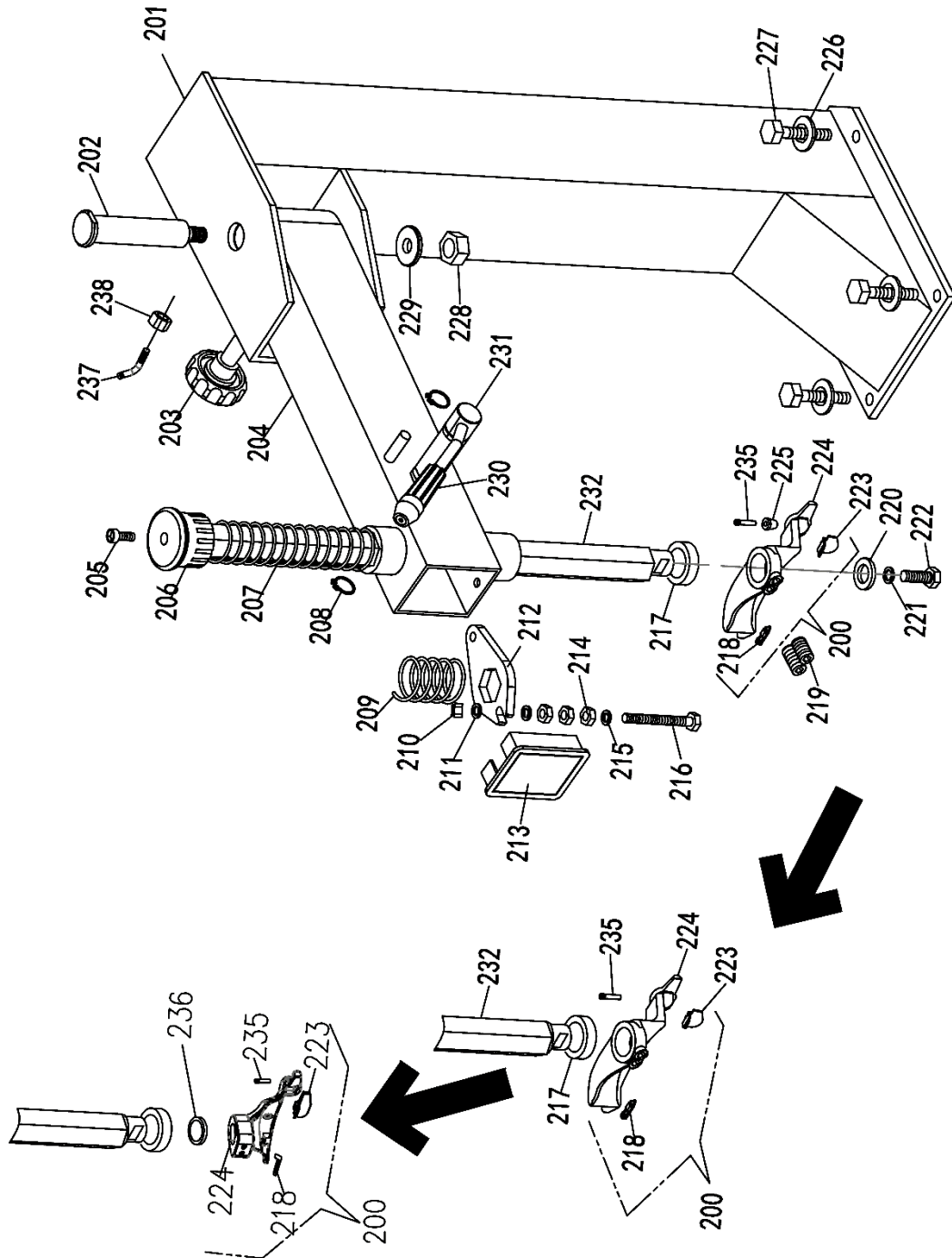
Part Number	#	Description
	100	Jaw clamp air valve assembly
5327333	100-1	Bead breaker air valve assembly
	101	Chassis weldment

	101	Chassis weldment (A)
5327701	102	Side cover
	102	Side cover
5402111	103	Snap ring, #16
5327518	104	Directional rod stop bushing
	105	Nut, M12
	106	Washer, Φ 12 flat
5327326	107	Directional switch return spring
5327533	108	Cotter Pin, 2 x 25 ZPL
5327370	109	Directional switch connecting rod
5327371	110	Directional pedal assembly bracket
5327325	111	Left directional foot pedal
	112	Washer, M6 x 24 mm
	113	Hexagon socket set screw with flatpoint, M6 x 16
5327372	114	Directional pedal rod link
	115	L/R foot pedal rod
	116	SHCS, M6 x 16
	117	Nut, M6
	118	Nut, M4
5400110	119	Pry bar
	120	Foot pedal hood
	120	Cabinet front plate
	121	Chassis front board
	122	Washer, Φ 4 spring
	123	Fitting, side outlet tee ϕ 8 - ϕ 8 - G1/8"
	124	Fitting, straight ϕ 8 - G1/8"
	125	Fitting, 90° ϕ 8 - G1/8"
	126	Fitting, straight ϕ 8 - G1/8"
	127	Silencer, G1/8"
	128	Spacer for Valve, ϕ 15 x 1.2
	129	Air valve O/R spacer
	130	O-ring, 15.4 x 3.9
	131	Air valve spool
5327323	132	Air valve body
	133	SHCS, M6 x 10
	134	Nut, M8
	135	Washer, Φ 8 spring
5327374	136	Foot pedal link
5327554	137	Spring pin, M4 x 18
5327375	138	Foot pedal link extension
5327178	139	Plastic foot pedal cover
5327174	140	Front pedal connecting bracket
	141	Hexagon socket set screw with flatpoint, M6 x 10
	142	Foot pedal rubber bushing
	143	Washer, Φ 8 flat
5327327	144	Jaw clamp pedal return spring
5400457	145	Nut, M10 x 1.5 NL

5327376	146	Single pedal connecting bracket
	147	Hexagon headed bolt, M10 x 30
	148	Thin nut, M10
	149	Hexagon headed bolt, M4 x 16
	150	Washer, Φ 4 flat
5400913	151	Washer, M6 flat
	152	Cross recessed round head screw, M6 x 16
5327307	153	Plastic foot 52 x 42 x 20
5327324	154	Right directional foot pedal
	155	Washer, M8 x 24 mm
	156	SHCS, M8 x 20
5327358	157	Wheel support pad
5327484	158	Coiled hose, 8 mm AIR
5327541	159	Inflation gun
5327309	160	BB return spring
	161	Cross recessed round head screw, M4 x 16
5327445	162	Voltage selector switch & wires
5327530	163	STS, M5.5 x 1.0 x 25
	164	Cable holder, Φ 12
5327566	165	Oiler cup
5327566	165	Oiler cup
	166	Joint with internal and external threads
5401121	167	Power cord
	168	Fitting, straight Φ 8-G1/4"
	169	Power cord grip
	170	SHCS, M6 x 16
	170	Large flat head screw with cross groove
5327308	171	Block, 55 x 45 x 10
5400121	172	Soap brush
	173	Tool tray
	174	Connecting terminal frame
5327443	175	Terminal block
	176	Cross recessed tapping screws
	177	Cross recessed round head screw, M6 x 10
	178	Turntable direction switch assembly (40 A)
	179	Soap bucket support
5400120	180	Soap bucket
	181	Block, G1/8"
5327125	185	Pneumatic triple pieces (A)
5327041	185	Pneumatic triple pieces
	186	Washer, Φ 6 flat
	187	Washer, Φ 6 splick lock
	188	SHCS, M6 x 16
	189	Washer, Φ 6 flat
	190	BB cylinder fixing bracket
	191	Tee fitting, G1/4" - Φ 8 - G1/4"
	192	Pressure gauge

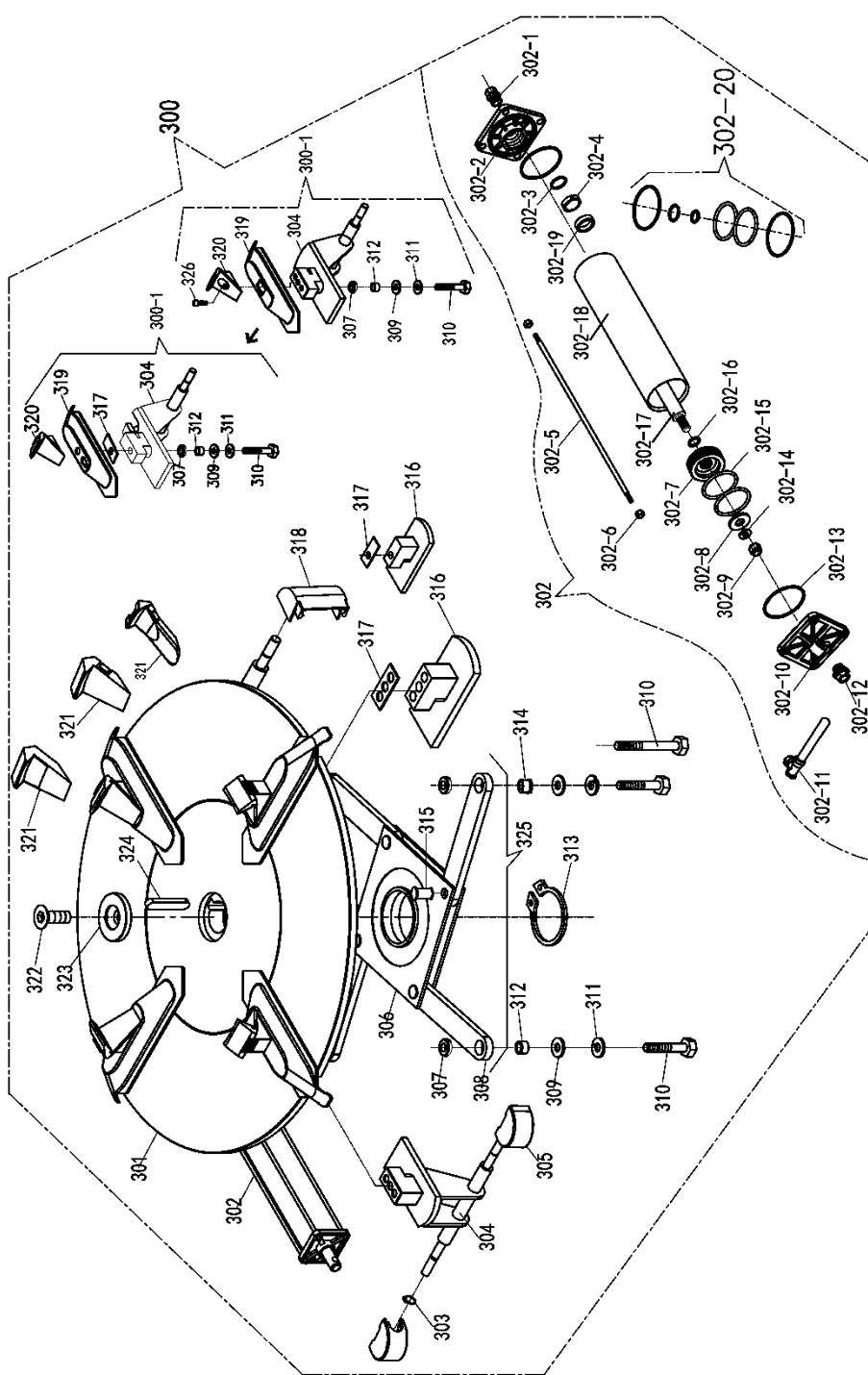
	193	Air filter cup
	194	Single cup oil mist with meter
	195	Air pressure gauge
	196	Oiler cup
	197	Air filter with regulator
	198	Accessory

Main Tower



Part Number	S/N	Description
	200	Mount/demount head assembly (A)
	200	Mount/demount head assembly (C)
5327458	200	Mount/demount head assembly (D)
	201	Tower unit weldment
5327359	202	Swing arm pivot pin
5401222	203	Swing arm adjustment screw with knob
	204	Swing arm unit weldment
	205	SHCS, M8 x 25
	206	Hex shaft cap
	207	Hex shaft spring
	208	External snap ring, Φ 30
5327315	209	Hex shaft lock spring
5400457	210	Nut, M10 x 1.5 NL
	211	Washer, Φ 10 flat
	212	Hex shaft locking plate
5327312	213	Hex shaft lock cover
	214	Nut, M10
	215	Washer, Φ 10 spring
	216	Hexagon headed bolt, M10 x 90
5327310	217	Mount/Demount Head bushing
5327080	218	Duckhead insert
5328119	218	Duckhead insert (A)
	219	Hexagon socket set screw with flatpoint, M10 x 20
5327436	220	Duckhead retaining washer
	221	Washer, Φ 10, spring
	222	Hexagon headed bolt, M10 x 20
5327079	223	Roller insert
5327636	223	Roller insert
5327356	224	Metal duckhead
	224	Metal duckhead
	224	Metal duckhead
5327439	225	Duckhead roller
	226	Washer, Φ 12 flat
	227	Hexagon headed bolt, M12 x 60
	228	Locknut, M16
	229	Lock pad
5327353	230	Rubber hex shaft lock handle
5327360	231	Hex shaft lock
	232	Hex shaft
5327357	232	Hex shaft
	235	Screw M6 x 6 & pin Φ 5 x 22
	235	Ingot screws
	236	Mounting/demounting duckhead washer
	237	Pneumatic gun hook
	238	Nut, M6

Turntable

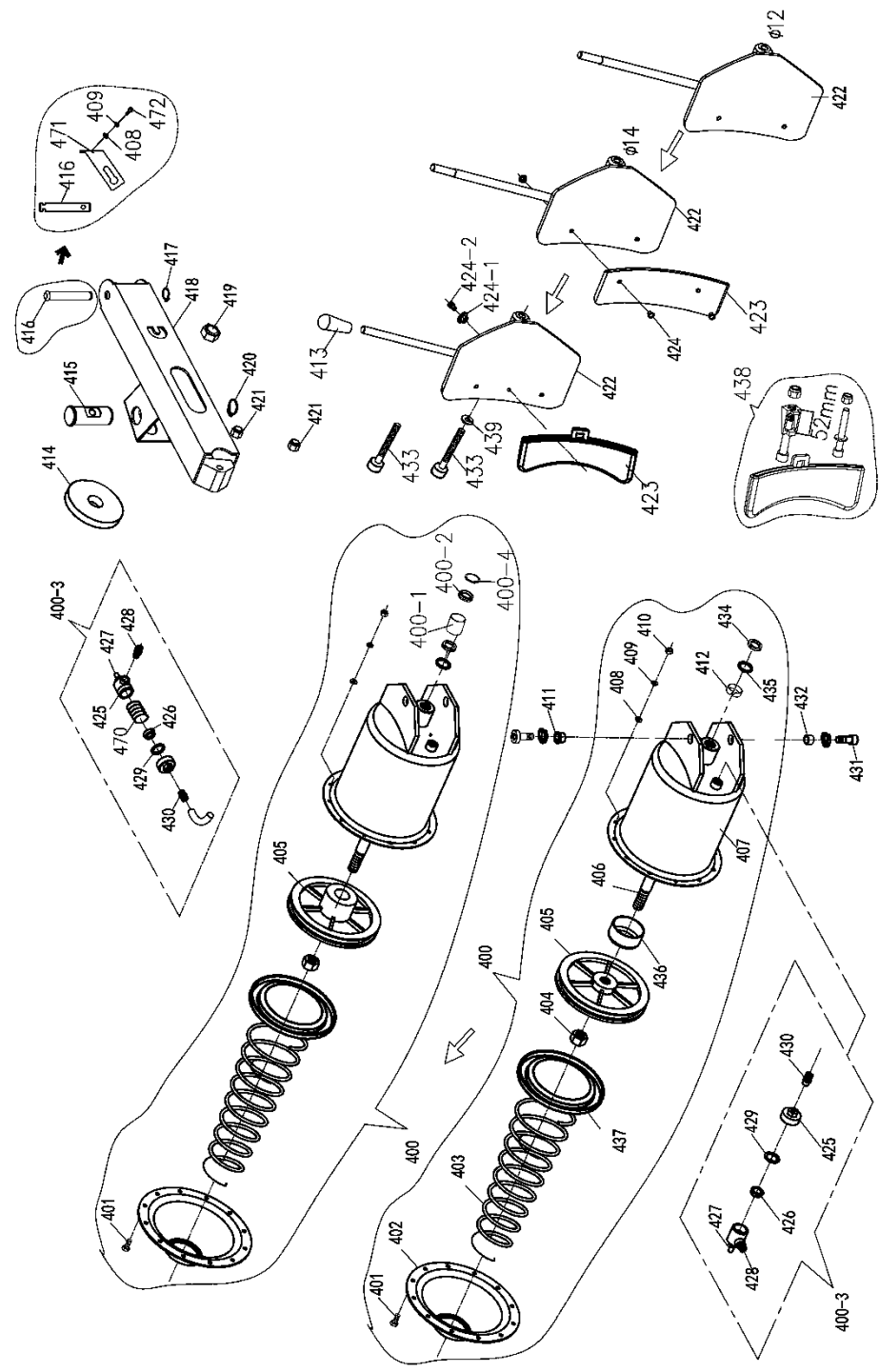


Part Number	#	Description
	300	Turntable assembly
	300-1	Small cylinder hanger hair accessories
	300-1	Slide block assembly
5327704	301	Turntable assembly
5327302	302	Jaw clamp cylinder
	302-1	Fitting, straight $\Phi 8-G1/8"$

5327365	302-2	Small front cylinder cover
5327487	302-3	O-ring 25 x 3.1
5327540	302-4	Jaw clamp cylinder wear strip
	302-5	Bolt, double head
	302-6	Nut, M8
5327366	302-7	Small cylinder piston
	302-8	Pad, Φ 12
	302-9	Locknut, M12
5327364	302-10	Small rear cylinder cover
	302-11	Tee fitting, Φ 8
	302-12	Fitting, straight Φ 8 - G1/8"
5327488	302-13	O-ring 75 x 2.65
	302-14	Washer, Φ 12 spring
5327489	302-15	O-ring 75 x 5.7
5327486	302-16	O-ring 16 x 2.4
	302-17	Cylinder piston rod
	302-18	Cylinder body
5327494	302-19	Y-ring 32 x 20 x 6
	302-20	Cylinder sealing ring
	303	Washer, Φ 12 spring
	304	Slider welding figure
5328076	304	Jaw clamp cylinder bracket
5327305	305	Small cylinder cover
	306	Square turntable
	307	Square turntable link pad
5327397	308	Square turntable link
	309	Washer, Φ 12 flat
	310	Hexagon headed bolt, M12 x 90
	310	Hexagon headed bolt, M12 x 50
	311	Washer, Φ 12 spring
5327500	312	Metal bushing 18 x 12 x 11
	313	Washer, Φ 65 spring
5327507	314	12 mm eccentric bushing
5327521	315	Square turntable press pim
	316	Slider plate welding
5328075	316	Slide guard board
	317	Slide shim adjustment
5327461	317	Slide shim adjustment
	318	Small cylinder back cover guard
	319	Jaw clamp slide
5327045	319	Jaw clamp slide
5328073	319	Jaw clamp slide
5327361	320	Jaw clamp
5327404	320	Jaw clamp
5327316	321	Plastic jaw clamp cover
5328234	321	Plastic jaw clamp cover
5327604	322	Flat socket cap screw, M16 x 2.0 x 40 mm

5327363	323	Turntable retaining ring
	324	Tab, 12 x 8 x 50
5327451	325	Square turntable assembly
5400942	326	SHCS, M10 x 25

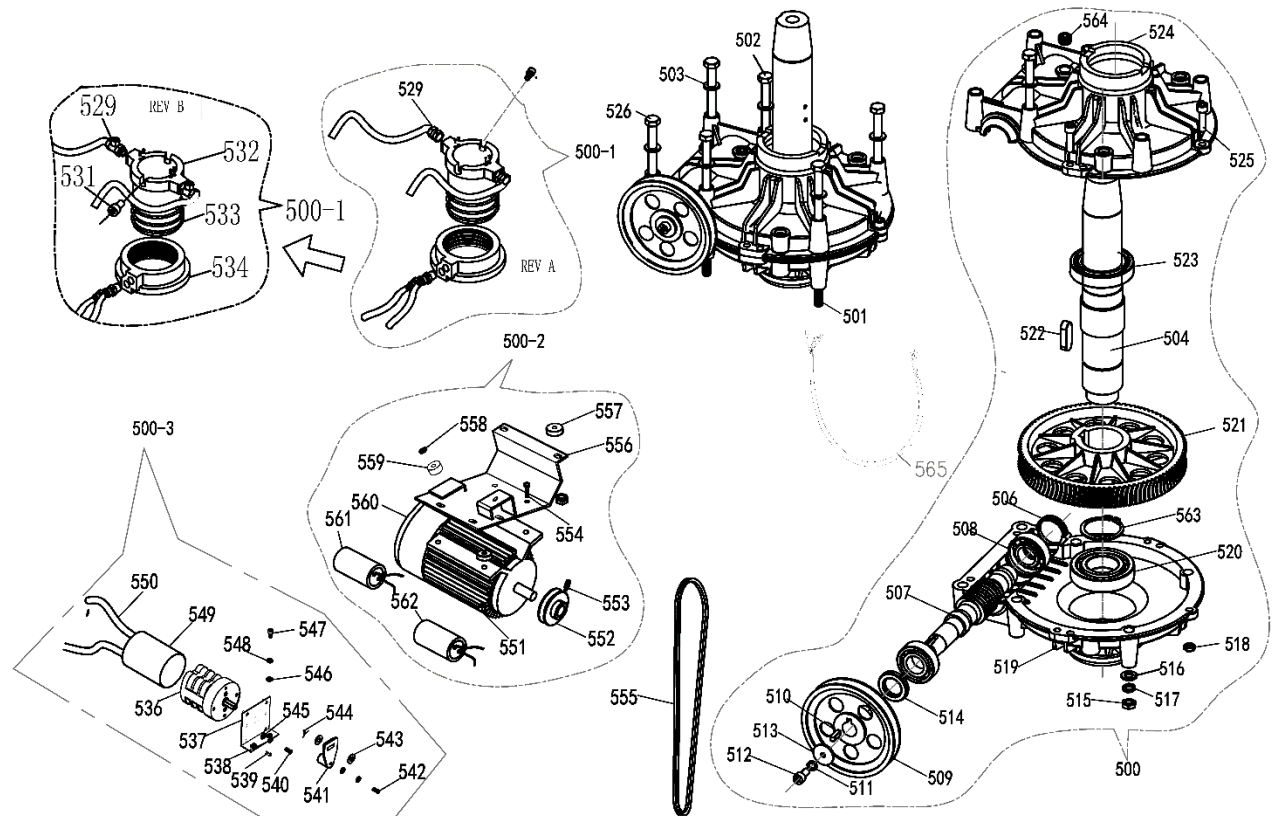
Bead Breaker



Part Number	#	Description
5327303	400	Bead breaker cylinder
5327303	400	Bead breaker cylinder
	400-1	Bearing, B3025
	400-2	Seal ring, $\Phi 30 \times 20 \times 7$
5327459	400-3	BB flow control valve
5327459	400-3	Metal cylinder quick exhaust valve assembly
	400-4	Washer, $\Phi 32$ spring
	401	Hexagon headed bolt, M6 x 16
	401	Hexagon headed bolt, M6 x 16 8.8
	402	Bead breaker cylinder front cover
	403	Bead breaker cylinder spring
	404	Thin nut, M18 x 1.5
	405	Bead breaker cylinder piston
	405	Bead breaker cylinder piston
	406	BB cylinder piston rod
	407	BB cylinder body
	408	Washer, $\Phi 6$ flat
	409	Washer, $\Phi 6$ spring
	410	Nut, M6
5327507	411	12 mm eccentric bushing
5327498	412	BB cylinder wear strip
5327634	413	Bead breaker blade handle
5327177	414	BB rubber disk
5327367	415	Bead breaker arm pivot pin
	416	Bead breaker arm rear pivot pin
	416	Shovel arm pin
5402111	417	Snap ring, $\Phi 16$
5327848	418	Bead breaker arm
	419	Locknut, M16
	420	Washer, $\Phi 35$ spring
	421	Locknut, M14
	421	Locknut, M12
5327596	422	Bead breaker blade
	422	Bead breaker blade
	422	Bead breaker blade
5327082	423	Bead breaker blade cover
	423	Bead breaker blade cover
	424	Bead breaker cover plug
	424-1	Bolted BB blade cover bushing assembly (includes 431-2 bolt)
	424-2	SHCS, M6 x 10 (included in assembly drawing 424-1)
	425	Quick drain valve
	425	Metal quick exhaust valve
	426	Quick drain valve bowl
	426	Quick exhaust valve metal cup
	428	Fitting, G1/4" - G1/4"
	427	Silencer, G1/4"

	429	Metal quick exhaust valve leather cushion
	430	Fitting, straight $\Phi 8$ -G1/8"
5327580	431	SHCS, M12 x 30
5327500	432	Metal bushing 18 x 12 x 11
	433	SHCS, M14 x 90 8.8
5327609	433	SHCS, M14 x 95 12.9
5327493	434	Y-ring 25
5327487	435	O-ring 25 x 3.1
	436	Cylinder piston limit block
5327683	437	Y-ring, 186 x 12 x 9 mm
	438	Short blade plate shovel upgrade components
	439	Spring washer, $\Phi 14$
	470	Metal quick exhaust valve spring
	471	Shovel arm pin baffle
	472	SHCS, M6 x 12

Gearing



Part Number	#	Description
5327479	500	Transmission assembly
5327175	500-1	Rotary joint block
	500-1	Rotary joint block
	500-2	Motor bracket assembly
	500-3	Turntable direction switch assembly (40 A)
5327513	501	HHB, M10 x 1.5 x 170
5327520	502	HHB, M10 x 1.5 x 200
	503	Washer, $\Phi 10$
	504	Transmission shaft
	506	Oil block, 45 x 8
	507	Pulley connecting shaft
	508	Cone roller bearing 7205
	509	Big size belt pulley
	510	Tab, 6 x 6 x 20
	511	Washer, $\Phi 8$ spring
	512	SHCS, M8 x 16
	513	Worm pressure pad
	514	Shaft seal, $\Phi 45$ x 25 x 10
	515	Nut, M10
	516	Washer, $\Phi 10$
	517	Washer, $\Phi 10$ spring
	518	Nut, M8

	519	Gearbox back flange
	520	Bering 80208
	521	Helical gear m2 (Al)
5327523	522	Transmission Key, 12 x 8 x 35
	523	Bearing 6010
	524	Gearbox front flange
	525	SHCS, M8 x 30
	526	HHB, M10 x 1.5 x 180
	529	Fitting, straight $\Phi 8$ - G1/8"
	529	Fitting, straight $\Phi 8$ - $\Phi 8$ - G1/8"
	530	Cross recessed tapping screws, ST2.9 x 6.5
	531	SHCS, M6 x 8
	532	Rotary joint block Inner piece
5327438	533	Rotary joint block o-ring
	534	Rotary joint block outer piece
5400331	536	Turntable direction switch
	537	Directional switch bracket
	538	Washer, $\Phi 5$ spring
	539	Cross recessed tapping screws, ST4.2 x 13
	540	Cross recessed round head screw, M5 x 20
5400324	541	Turntable direction switch cam
	542	Cross recessed round head screw, M4 x 20
	543	Washer, $\Phi 6$
	544	Cotter pin, $\Phi 2$ x 16
	545	Washer, $\Phi 5$ flat
	546	Washer, $\Phi 6$ flat
	547	SHCS, M6 x 16
	548	Washer, $\Phi 6$ spring
5327321	549	Direction switch cover
	550	Motor wire
	551	Locknut, M8
5327369	552	Motor pulley
	553	Hexagon socket set screw with flatpoint, M8 x 16
	554	Hexagon headed bolt, M8 x 40
5327612	555	V belt
	556	Motor support weldment
5400249	557	Rubber washer
	558	Washer, $\Phi 10$
5327318	559	Transmission bracket bushing
5327185	560	Electric motor
	561	Start capacitance (220 V)
	562	Running capacitance (220 V)
	563	Snap ring, #50
	564	Oil plug
	565	Power cord