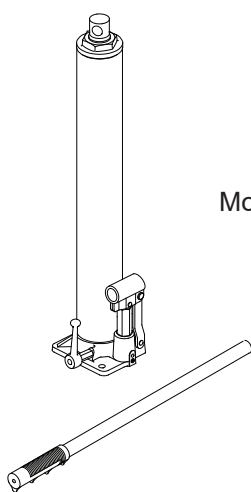


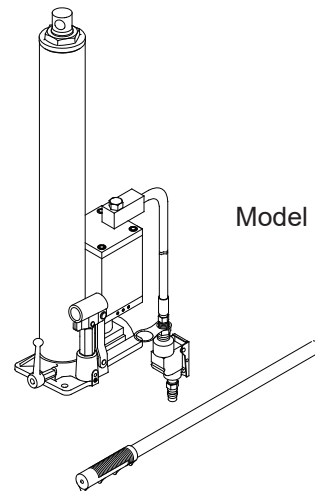
OMEGALIFT™ EQUIPMENT

Hydraulic Long Jacks

Model	Capacity
44915	1-1/2 Ton
44930	3 Ton
44940	4 Ton
44980	8 Ton
44981C (Air option)	8 Ton



Models 44915, 44930,
44940 & 44980



Model 44981C

U.S. Patent No. 5,946,912



This is the safety alert symbol. It is used to alert you to potential personal injury hazards. Obey all safety messages that follow this symbol to avoid possible injury or death.

!WARNING



*To avoid crushing and related injuries:
NEVER work on, under or around a
load supported only by a hydraulic jack.
ALWAYS use a pair of adequately rated
jack stands.*

SFA Companies
<http://www.omegalift.com>

Read this manual and follow all the Safety Rules and Operating Instructions before using this product.

44915-M0_062018

SAFETY AND GENERAL INFORMATION

Save these instructions. For your safety, read, understand, and follow the information provided with and on this device before using. The owner and/or operator shall have an understanding of the device, its operating characteristics and safety operating instructions before operating the equipment. The owner and/or operator shall be aware that use and repair of this product may require special skills and knowledge. Instructions and safety information shall be read to and discussed with the operator in the operator's native language, making sure that the operator comprehends their contents, before use of this equipment is authorized. If any doubt exists as to the safe and proper use of this device, remove from service immediately.

Inspect before each use. Do not use if abnormal conditions such as cracked welds, damaged, loose or missing parts are noted. Any equipment that appears damaged in any way, is found to be worn, or operates abnormally shall be removed from service until repaired. If the equipment has been or is suspected to have been subjected to an abnormal load or shock, immediately discontinue use until inspected by a factory authorized repair facility (contact distributor or manufacturer for list of authorized repair facilities). It is recommended that an annual inspection be made by an authorized repair facility. Labels and Operator's Manuals are available from the manufacturer.

PRODUCT DESCRIPTION

This jack is specifically intended to be used with corresponding Omega Engine Cranes to lift, not support, rated capacity loads. Immediately after lifting, the load must be supported by appropriate mechanical means. For air option model, ensure that air source can dedicate 7.8 CFM @ 110-175 psi to each jack operated.

⚠WARNING	
<ul style="list-style-type: none"> • <i>Study, understand, and follow all instructions before operating this device.</i> • <i>Do not exceed rated capacity.</i> • <i>Use only on hard, level surfaces.</i> • <i>Lifting device only. Immediately after lifting, support the vehicle with appropriate means.</i> • <i>Use only in conjunction with corresponding Omega Engine Crane.</i> • <i>No alterations shall be made to this product.</i> • <i>Failure to heed these markings may result in personal injury and/or property damage.</i> 	

SPECIFICATIONS

Model	Capacity	Min. Height	Max. Height	Base Size (L x W)
44915	1-1/2 Ton	19-7/8"	35-1/4"	5-1/8" x 4-1/2"
44930	3 Ton			
44940	4 Ton			
44980	8 Ton	24-1/8"	43-1/4"	5" x 4-3/4"
44981C	8 Ton			7-1/8" x 5"

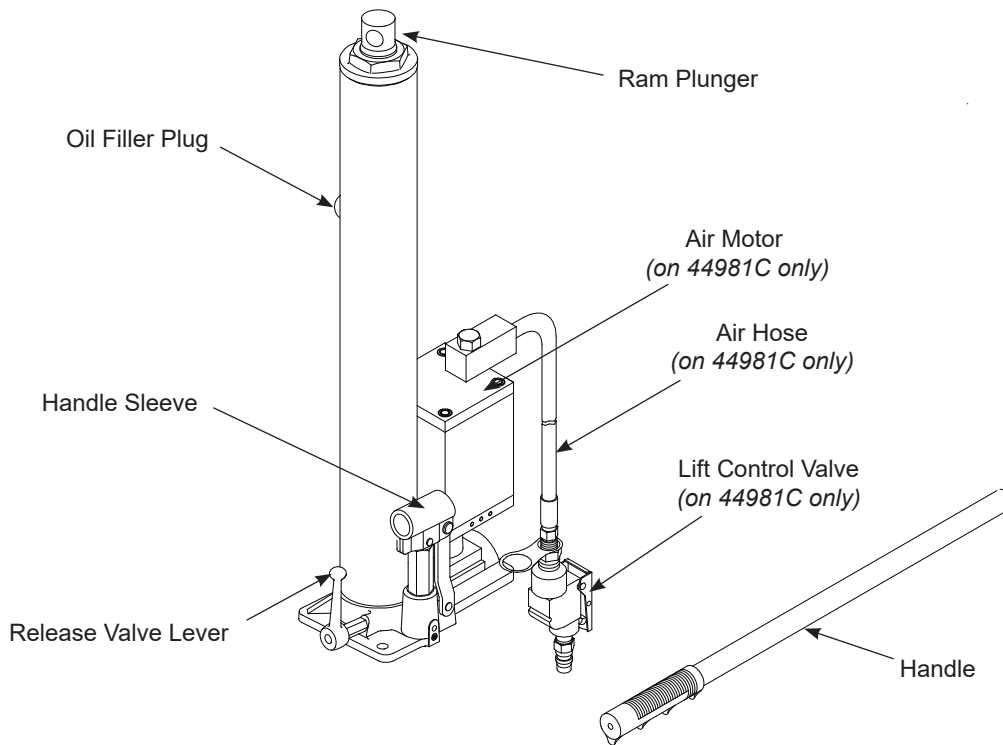


Figure 1 - Typical Hydraulic Long Jack Nomenclature (44981C shown)

PREPARATION

Before Use

1. Verify that the product and application are compatible, if in doubt call Omega Technical Service (888) 332-6419.
2. Before using this product, read the operator's manual completely and familiarize yourself thoroughly with the product, its components and recognize the hazards associated with its use.
3. To familiarize yourself with basic operation, locate and turn the release valve lever:
 - a. Clockwise until firm resistance is felt to further turning. This is the '**CLOSED**' release valve position used to raise the ram plunger.
 - b. Counter-clockwise, but no more than 1/2 turn from the closed position. This is the '**OPEN**' release valve position used to lower the ram plunger.
4. With Ram Plunger fully retracted and release valve closed, pump the operating handle. If Ram Plunger responds immediately, jack is ready for use. If jack does not respond, follow Bleeding/Venting Trapped Air instruction below.
5. For air option model 44981C:
Pour a teaspoon of good quality, air tool lubricant into the air supply inlet of the lift control valve. Connect to air supply and operate for 3 seconds to evenly distribute lubricant.

NOTICE: Air operated jacks are equipped with the popular 1/4" NPT air coupler. If installing a different air coupler of your choice, use thread tape or compound when servicing connections. To ensure dependable, trouble free operation an inline air dryer and oiler is recommended.

6. Check that pump operates smoothly before putting into service. Replace worn or damaged parts and assemblies with Omega authorized replacement parts only.

Bleeding/Venting Trapped Air

With the release valve in the OPEN position (3b above) and with ram plunger fully lowered, locate and remove the oil filler plug. Insert the handle into the handle sleeve; then pump 6 to 8 full strokes. This will help release any pressurized air which may be trapped within the reservoir. Oil level should be even with the bottom of the oil filler hole. Reinstall the oil filler plug.

OPERATION

Extending the Ram Plunger

⚠ WARNING: *Never use this jack as a stand alone lifting device.*

⚠ WARNING: *After lifting, immediately support the lifted load with appropriately rated mechanical means.*

1. Locate and close release valve by turning it clockwise until firm resistance is felt to further thread engagement.
2. To raise:
 - a) *Models 44915, 44930, 44940 & 44980:* Insert handle into handle sleeve and pump.
 - b) *Model 44981C:* Squeeze the lift control valve or insert handle into handle sleeve and pump.

⚠ WARNING: *On air option model, never wire, clamp or otherwise disable the lift control valve to function by other than operator's hand.*

NOTICE: *Do not operate jack by air and hand pump at the same time.*

3. Continue pumping until load reaches desired height.
4. Immediately secure lifted load with appropriately rated mechanical means such as jack stands or engine stand.

NOTICE: *Do not use extenders on the air hose or the operating handle.*

Retracting the Ram Plunger

⚠ WARNING: *Clear all tools and personnel before lowering load. Open release valve slowly. The further handle is turned counter-clockwise, the faster the load will descend. Maintain control of the load at all times.*

1. Raise load high enough to clear the mechanical supports, then carefully remove the supports.
2. Slowly turn the release valve lever counter-clockwise, but no more than 2 turns. *If the load fails to lower:*
 - a. Use another lifting device or jack to raise the load high enough to reinstall mechanical supports.
 - b. Remove the affected jack and then the supports.
 - c. Lower the load by turning the release valve lever counter-clockwise.
3. After removing jack from under the load, push ram and handle sleeve down to reduce exposure to rust and contamination.

MAINTENANCE

NOTICE: *Use only good quality hydraulic jack oil. Avoid mixing different types of fluid and NEVER use brake fluid, turbine oil, transmission fluid, motor oil or glycerin. Improper fluid can cause premature failure of the jack and the potential for sudden and immediate loss of load. Premium hydraulic jack oil is recommended.*

Adding oil

1. With ram plunger fully lowered and pump piston fully depressed, set jack in its upright, level position. Remove oil filler plug.
2. Fill with oil until just below the rim of the oil filler hole. Reinstall the oil filler plug.

Changing oil

NOTICE: *For best performance and longest life, replace the complete fluid supply at least once per year.*

1. With ram plunger fully lowered and pump piston fully depressed, remove the oil filler plug.
2. Lay the jack on its side and drain the fluid into a suitable container.

NOTICE: *Dispose of hydraulic oil in accordance with local environmental regulations.*

3. Fill with oil until just below the rim of the oil filler hole. Reinstall the oil filler plug.
4. Perform **Bleeding/Venting Trapped Air** procedure (page 3).

Lubrication

1. A periodic coating of light lubricating oil to pivot points, axles and hinges will help to prevent rust and assure that pump assemblies move freely.
2. *For air option model 44981C:* When used on a daily basis, air pump should be internally lubricated before each use. Use a good quality air tool lubricant. If no in-line oiler is used, pour a teaspoon of air tool oil into the inlet of the air control valve. Simply operate the jack using the air feature in order to fully distribute the oil.

Cleaning

Periodically check the pump piston and ram plunger for signs of rust or corrosion. Clean as needed and wipe with an oily cloth.

NOTICE: *Never use sandpaper or abrasive material on ram or pump piston surfaces.*

Storage

When not in use, store the jack with pump piston and ram plunger fully retracted and air supply disconnected.

TROUBLESHOOTING

Symptom	Possible Causes	Corrective Action
Jack will not lift load	<ul style="list-style-type: none"> • Release valve not tightly closed • Load is too heavy • Air pressure inadequate 	<ul style="list-style-type: none"> • Ensure release valve tightly closed • Consider higher capacity jack • Ensure adequate air pressure
Jack will lift, but not maintain pressure	<ul style="list-style-type: none"> • Release valve not tightly closed • Hydraulic unit malfunction 	<ul style="list-style-type: none"> • Ensure release valve tightly closed • Contact Omega Tech. Service
Jack will not lower after unloading	<ul style="list-style-type: none"> • Reservoir overfilled 	<ul style="list-style-type: none"> • Ensure load is removed, then drain fluid to proper level
Poor lift performance	<ul style="list-style-type: none"> • Fluid level low • Air trapped in system 	<ul style="list-style-type: none"> • Ensure proper fluid level • Perform Bleeding/Venting Trapped Air procedure (page 3)
Will not lift to full extension	<ul style="list-style-type: none"> • Fluid level low 	<ul style="list-style-type: none"> • Ensure proper fluid level

REPLACEMENT PARTS

Not all components of the jack are replacement items, but are illustrated as a convenient reference of location and position in the assembly sequence. When ordering parts, give model number, serial number and description. Call or write for current pricing: Shinn Fu Company of America, Inc. 10939 N. Pomona Ave. Kansas City, MO 64153, U.S.A. Tel:(888)332-6419 Fax:(816)891-6599 e-mail:sales@omegalift.com Omega Website: <http://www.omegalift.com>

Models 44915, 44930, 44940, 44980 & 44981C

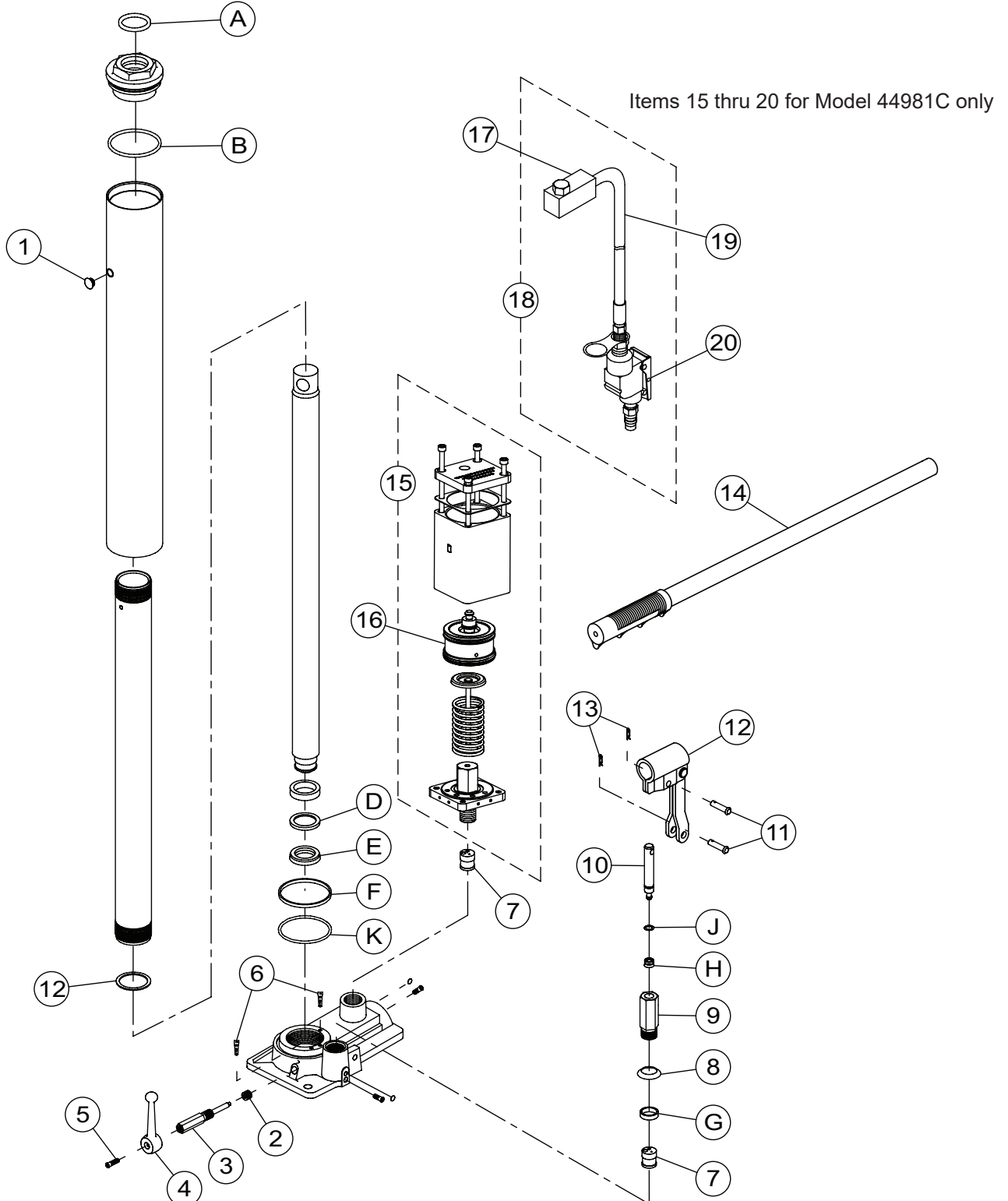


Figure 2 - Replacement Parts Illustration (44981C shown)

Item	Parts Number for Model					Description	Qty
	44915	44930	44940	44980	44981C		
1			5905-00100-200			Filler Plug	1
2			5905-00056-000			Seal	1
3			BL80-16001-000			Release Valve	1
4			BL80-16002-000			Release Lever	1
5			5107-05016-000			Screw	1
6			G931-07015-000			Filter	2
7			BL80-15000-000 (2 pc. for model 44981C)			Hydraulic Cartridge	1
8			BL80-14002-000			Washer	1
9			BL80-14001-000			Pump Cylinder	1
10			BL80-14101-000			Pump Piston	1
11			5403-08028-000			Pin	2
12			BL80-13000-000			Handle Sleeve	1
13			5405-02018-000			Snap Pin	2
14			BL80-20000-000			Handle	1
15		N/A		A27010-0001		Air Motor	1
16		N/A		A270-01100-0000		Piston, Air Motor	1
17		N/A		A27010-0002		Air Inlet Swivel	1
18		N/A		A20060-0005		Hose Assembly	1
19		N/A		A20060-0006		Air Hose	1
20		N/A		A20060-0007		Air Control Valve	1
21	BL400S-034		BL800S-034			Seal Kit (#1, 2 & A~K)	1
22	N/A		N/A	A27010-0000		Seal Kit for Air Motor# 15	1

Seal Kit (Item 21) Contents:

Item	Description	Qty
1	Filler Plug	1
2	Seal	1
A	O-ring	1
B	O-ring	1
C	Gasket	1
D	Back-up Ring	1
E	U-cup	1
F	Back-up Ring	1
G	Seal	1
H	Seal	1
J	O-ring	1
K	Seal	1

ONE YEAR LIMITED WARRANTY

For a period of one (1) year from date of purchase, **SFA Companies** will repair or replace, at its option, without charge, any of its products which fails due to a defect in material or workmanship under normal usage. This limited warranty is a consumer's exclusive remedy.

Performance of any obligation under this warranty may be obtained by returning the warranted product, freight prepaid, to **SFA Companies** Warranty Service Department, 10939 N. Pomona Ave., Kansas City, MO 64153.

Except where such limitations and exclusions are specifically prohibited by applicable law, (1) THE CONSUMER'S SOLE AND EXCLUSIVE REMEDY SHALL BE THE REPAIR OR REPLACEMENT OF DEFECTIVE PRODUCTS AS DESCRIBED ABOVE. (2) **SFA COMPANIES** SHALL NOT BE LIABLE FOR ANY CONSEQUENTIAL OR INCIDENTAL DAMAGE OR LOSS WHATSOEVER. (3) ANY IMPLIED WARRANTIES, INCLUDING WITHOUT LIMITATION THE IMPLIED WARRANTIES OF MERCHANTABILITY AND FITNESS FOR A PARTICULAR PURPOSE, SHALL BE LIMITED TO ONE YEAR, OTHERWISE THE REPAIR, REPLACEMENT OR REFUND AS PROVIDED UNDER THIS EXPRESS LIMITED WARRANTY IS THE EXCLUSIVE REMEDY OF THE CONSUMER, AND IS PROVIDED IN LIEU OF ALL OTHER WARRANTIES, EXPRESS OR IMPLIED. (4) ANY MODIFICATION, ALTERATION, ABUSE, UNAUTHORIZED SERVICE OR ORNAMENTAL DESIGN VOIDS THIS WARRANTY AND IS NOT COVERED BY THIS WARRANTY.

Some states do not allow limitations on how long an implied warranty lasts, so the above limitation may not apply to you. Some states do not allow the exclusion or limitation of incidental or consequential damages, so the above limitation or exclusion may not apply to you. This warranty gives you specific legal rights, and you may also have other rights, which vary from state to state.

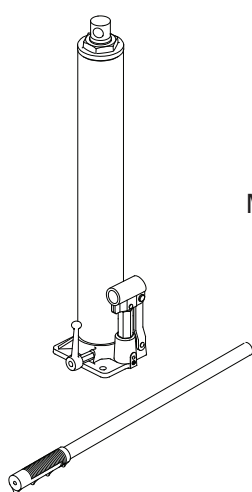


SFA Companies
10939 N. Pomona Ave. Kansas City, MO 64153, U.S.A.
Tel:(888)332-6419 Fax:(816)891-6599
e-mail:sales@omegalift.com
Omega Website: <http://www.omegalift.com>

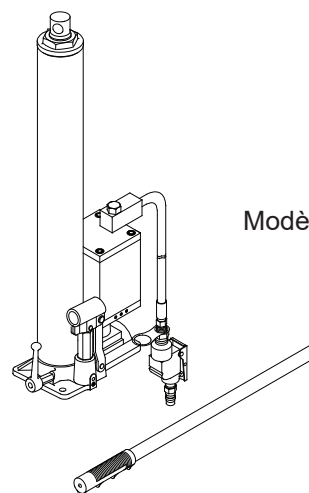
OMEGALIFT™ EQUIPMENT

Crics hydrauliques longs

Modèles	Capacité
44915	1 360 kg (1,5 tonne américaine)
44930	2 720 kg (3 tonnes américaines)
44940	3 628 kg (4 tonnes américaines)
44980	7 257 kg (8 tonnes américaines)
44981C (Pneumatique)	7 257 kg (8 tonnes américaines)



Modèles 44915, 44930,
44940 et 44980



Modèle 44981C

Brevet américain n° 5 946 912



Voici le symbole signalant un danger pour la sécurité. Il est utilisé pour vous alerter des dangers potentiels de blessures.

Respectez tous les messages de sécurité qui suivent ce symbole afin d'éviter les blessures et la mort.

⚠ AVERTISSEMENT



Pour éviter un écrasement et les blessures en lien avec celui-ci :

Ne travaillez JAMAIS autour d'une charge, en dessous d'elle ou sur celle-ci, si elle est supportée seulement par un cric hydraulique. Utilisez TOUJOURS une paire de béquilles de cric dont la capacité nominale est adéquate.

SFA Companies
<http://www.omegalift.com>

Lisez ce manuel et observez toutes les consignes de sécurité et d'utilisation avant d'utiliser ce produit.

INFORMATIONS GÉNÉRALES ET INFORMATIONS RELATIVES À LA SÉCURITÉ

Conservez ces instructions. Pour votre sécurité, lisez, comprenez et respectez toutes les consignes fournies avec cet appareil ou se trouvant sur celui-ci avant de l'utiliser. Le propriétaire, ainsi que l'utilisateur, doit comprendre le fonctionnement de l'appareil, ses caractéristiques de fonctionnement et les consignes de sécurité associées à son utilisation avant de s'en servir. Ces personnes doivent aussi savoir que, pour utiliser ou réparer ce produit, il peut être nécessaire d'avoir des connaissances ou des habiletés spéciales. Avant que l'utilisation de cet appareil ne soit autorisée, il faut lire, dans la langue maternelle de l'opérateur, les instructions et les informations relatives à la sécurité pour qu'il en prenne connaissance et discuter de celles-ci avec lui, de manière à s'assurer qu'il les comprend. S'il y a des doutes quant à la façon adéquate et sécuritaire de se servir de l'appareil, il faut en cesser l'utilisation immédiatement.

Inspectez avant chaque utilisation. N'utilisez pas l'appareil s'il est dans un état anormal, comme lorsqu'il y a des soudures fissurées, des dommages ou des pièces manquantes ou mal fixées. Tout appareil qui semble être endommagé d'une quelconque façon, est usé ou fonctionne de manière anormale ne doit plus être utilisé jusqu'à ce qu'il soit réparé. Si le cric a été soumis ou s'il y a des raisons de croire qu'il a été soumis à une charge ou à un choc anormal, cessez de l'utiliser immédiatement jusqu'à ce qu'il soit inspecté à un centre de réparation autorisé par le fabricant (communiquez avec le distributeur ou le fabricant pour avoir une liste des endroits autorisés). Il est recommandé qu'une inspection annuelle soit faite à un centre autorisé. Il est possible de se procurer d'autres étiquettes et d'autres manuels auprès du fabricant.

DESCRIPTION DU PRODUIT

Ce cric, conçu spécifiquement pour être utilisé avec des grues de moteur Omega correspondantes, sert à soulever, et non à supporter, des charges égales à leur capacité nominale. Immédiatement après le levage, la charge doit être supportée par des moyens mécaniques appropriés. Pour le modèle pneumatique, assurez-vous que la source d'air peut envoyer un débit de 0,22 m³/min à une pression allant de 758 à 1 206 kPa (7,8 pi³/min pour une pression de 110 à 175 lb/po²) pour chaque cric utilisé.

! AVERTISSEMENT

- *Lisez, comprenez et respectez toutes les instructions avant d'utiliser ce produit.*
- *Ne dépassez pas la capacité nominale.*
- *N'utilisez l'appareil que sur des surfaces dures et de niveau.*
- *Utilisez pour le levage seulement. Immédiatement après le levage, faites en sorte que le véhicule soit supporté par un moyen adéquat.*
- *Utilisez le cric seulement avec une grue de moteur Omega correspondante.*
- *Ne modifiez pas cet appareil.*
- *Le non-respect des consignes peut entraîner des blessures et des dommages matériels.*

SPÉCIFICATIONS

Modèles	Capacité	Hauteur min.	Hauteur max.	Dimensions de la base (L x l)
44915	1 360 kg (1,5 tonne américaine)	50,48 cm (19-7/8 po)	89,54 cm (35-1/4 po)	13,02 x 11,43 cm (5-1/8 x 4-1/2 po)
44930	2 720 kg (3 tonnes américaines)			
44940	3 628 kg (4 tonnes américaines)			
44980	7 257 kg (8 tonnes américaines)	61,28 cm (24-1/8 po)	109,86 cm (43-1/4 po)	12,70 x 12,07 cm (5 x 4-3/4 po)
44981C	7 257 kg (8 tonnes américaines)			18,10 x 12,70 cm (7-1/8 x 5 po)

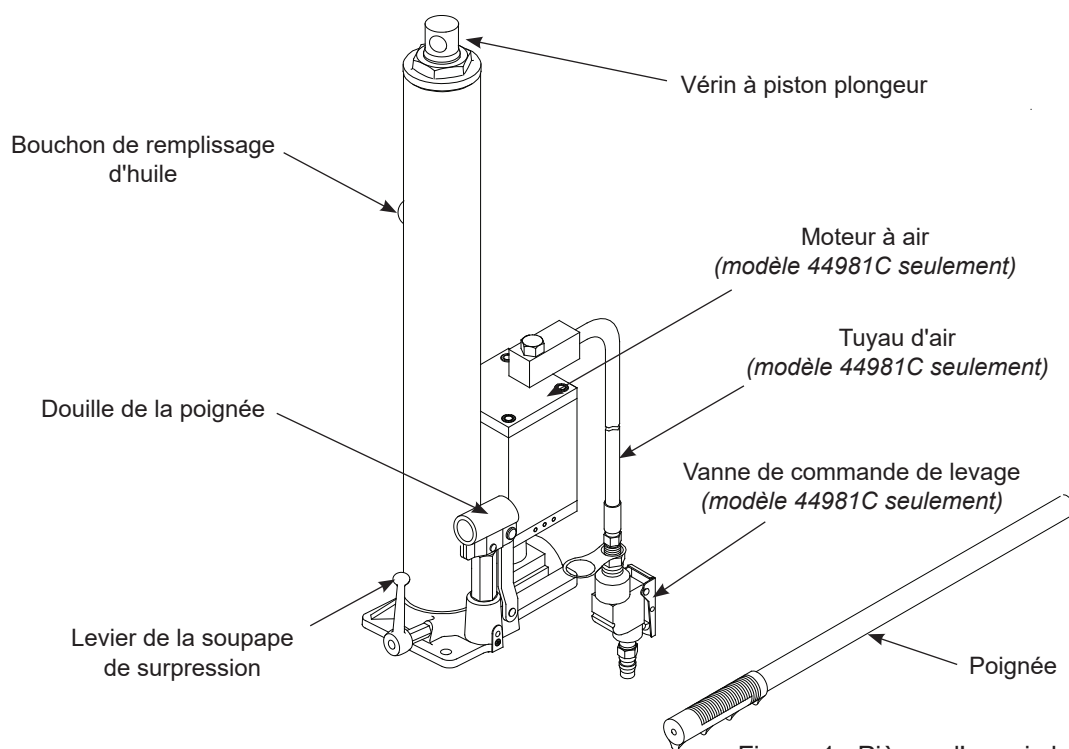


Figure 1 : Pièces d'un cric hydraulique long typique (modèle 44981C)

PRÉPARATION

Avant l'utilisation

1. Vérifiez que le produit et son utilisation sont compatibles. Si vous avez des doutes, appelez le soutien technique pour les produits Omega au 1 888 332-6419.
2. Avant d'utiliser ce produit, lisez le manuel d'utilisation au complet et familiarisez-vous parfaitement avec le produit et ses composants, et identifiez les dangers associés à son utilisation.
3. Afin de vous familiariser avec le fonctionnement de base du cric, trouvez le levier de la soupape de surpression et tournez-le :
 - a. Dans le sens horaire jusqu'à ce que vous sentiez une forte résistance au mouvement. C'est la position « **FERMÉE** » de la soupape de surpression utilisée pour soulever le vérin à piston plongeur.
 - b. Dans le sens antihoraire, mais pas plus d'un demi-tour à partir de la position fermée. C'est la position « **OUVERTE** » de la soupape de surpression utilisée pour abaisser le vérin à piston plongeur.
4. Lorsque le vérin à piston plongeur est complètement rentré et que la soupape de surpression est fermée, pesez sur le levier. Si le vérin à piston plongeur réagit immédiatement, le cric peut maintenant être utilisé. Si ce n'est pas le cas, suivez les instructions de la section **Purge de l'air emprisonné** ci-dessous.
5. Pour le modèle pneumatique 44981C :
Versez une cuillère à thé de lubrifiant de bonne qualité pour outil à air dans l'entrée de l'alimentation d'air de la vanne de commande de levage. Branchez l'alimentation en air et faites fonctionner le cric pendant 3 secondes pour distribuer le lubrifiant de façon uniforme.

AVIS : Les modèles pneumatiques sont dotés du raccord populaire pour tuyau d'air 1/4 po NPT. Lorsque vous installez un raccord pour tuyau d'air de votre choix, assurez-vous d'utiliser du ruban pour joints filetés ou du scellant lorsque vous faites l'entretien des branchements. Il est recommandé d'utiliser un dessiccateur d'air en ligne et un huileur d'air en ligne pour assurer un fonctionnement fiable sans problème.

6. Vérifiez que le levier fonctionne parfaitement avant d'utiliser le cric. Remplacez les pièces et les assemblages usés ou endommagés seulement par des pièces de rechange autorisées par Omega.

Purge de l'air emprisonné

Lorsque la soupape de surpression est à la position OUVRETE (étape 3 b. ci-dessus) et que le vérin à piston plongeur est à son niveau minimal, trouvez et enlevez le bouchon de remplissage d'huile. Insérez le levier dans la douille de la poignée, puis abaissez et levez le levier de six à huit fois. Cela va faciliter la libération de tout air pressurisé pouvant être emprisonné dans le réservoir. Le niveau d'huile devrait se situer à la hauteur du fond du trou de remplissage d'huile. Remettez le bouchon.

FONCTIONNEMENT

Soulever le vérin à piston plongeur

⚠ AVERTISSEMENT : *N'utilisez jamais un cric hydraulique comme seul dispositif de soutien.*

⚠ AVERTISSEMENT : *Après le levage, soutenez immédiatement la charge soulevée à l'aide de moyens mécaniques à capacité nominale adéquate.*

1. Trouvez et fermez la soupape de surpression en la tournant dans le sens horaire jusqu'à ce que vous sentiez une bonne résistance.
2. Pour soulever :
 - a) *Modèles 44915, 44930, 44940 et 44980 :* Insérez le levier dans la douille de la poignée et abaissez et levez le levier.
 - b) *Modèle 44981C :* Ouvrez la vanne de commande de levage ou insérez le levier dans la douille de la poignée et abaissez et levez-le.

⚠ AVERTISSEMENT : *Pour les modèles pneumatiques, n'attachez et ne fixez jamais la vanne de commande et ne faites jamais rien pour qu'elle soit contrôlée d'une autre façon que par la main de l'opérateur.*

AVIS : *Ne mettez pas le cric sous pression en même temps que vous l'utilisez de manière manuelle.*

3. Continuez d'abaisser et de lever le levier jusqu'à ce que la charge atteigne la hauteur désirée.
4. Soutenez immédiatement la charge soulevée par un moyen mécanique approprié comme des béquilles de cric ou un support de moteur.

AVIS : *N'utilisez pas de rallonge avec le tuyau d'air ou le levier.*

Abaisser le vérin à piston plongeur

⚠ AVERTISSEMENT : *Avant d'abaisser la charge, assurez-vous qu'il n'y a aucun outil ni personne en dessous de celle-ci. Ouvrez la soupape de surpression lentement. Plus le levier est tourné dans le sens antihoraire, plus la charge descend rapidement. Gardez le contrôle de la charge en tout temps.*

1. Soulevez suffisamment la charge pour qu'elle ne soit plus en contact avec les supports, puis enlevez ces derniers avec précaution.
2. Tournez lentement le levier de la soupape dans le sens antihoraire, mais ne faites pas plus de deux tours. *Si la charge ne descend pas :*
 - a. Utilisez un autre appareil de levage pour soulever la charge suffisamment afin de remettre les supports.
 - b. Enlevez le cric défectueux et ensuite les supports.
 - c. Faites descendre la charge en tournant le levier de la soupape dans le sens antihoraire.
3. Après avoir retiré le cric, abaissez le vérin à piston plongeur et la douille de la poignée pour réduire l'exposition à la rouille et aux contaminants.

ENTRETIEN

AVIS : *Utilisez seulement de l'huile pour cric hydraulique de bonne qualité. Évitez de mélanger différents types de liquides et n'utilisez JAMAIS de liquide pour frein, d'huile de turbine, de liquide de transmission, d'huile moteur ou de glycérine. L'utilisation d'un liquide inapproprié peut entraîner une défaillance prématurée du cric et causer une chute potentielle soudaine et immédiate de charge. Il est recommandé d'utiliser de l'huile pour cric hydraulique de première qualité.*

Ajouter de l'huile

1. Lorsque le vérin à piston plongeur est à son niveau minimal et que le piston du levier est enfoncé au maximum, mettez le cric debout et à niveau. Enlevez le bouchon de remplissage d'huile.
2. Mettez de l'huile jusqu'à ce que son niveau soit juste en dessous du rebord du trou de remplissage d'huile. Remettez le bouchon.

Changer l'huile

AVIS : *Afin d'obtenir une performance et une durée de vie optimales, remplacez complètement l'huile au moins une fois par année.*

1. Lorsque le vérin à piston plongeur est à son niveau minimal et que le piston du levier est enfoncé au maximum, enlevez le bouchon de remplissage d'huile.
2. Posez le cric sur le côté et purgez le liquide en l'envoyant dans un contenant adéquat.

AVIS : *Jetez l'huile hydraulique en respectant la réglementation environnementale locale.*

3. Mettez de l'huile jusqu'à ce que son niveau soit juste en dessous du rebord du trou de remplissage d'huile. Remettez le bouchon.
4. Suivez la procédure de la section **Purge de l'air emprisonné** (page 11).

Lubrifier

1. Une lubrification périodique des points de pivotement, des axes et des charnières faite avec de l'huile légère aide à prévenir la rouille et à assurer que les assemblages du levier bougent librement.
2. *Pour le modèle pneumatique 44981C* : L'intérieur d'un cric pneumatique utilisé quotidiennement devrait être lubrifié avant chaque utilisation. Utilisez un lubrifiant de bonne qualité pour outil à air. S'il n'y a pas d'huileur d'air en ligne, versez une cuillerée à thé d'huile pour outil à air dans l'entrée d'air de la vanne de commande de levage. Faites simplement fonctionner le cric à l'air comprimé afin de complètement distribuer l'huile.

Nettoyer

Inspectez périodiquement le piston du levier et le vérin à piston plongeur pour voir s'il y a de la rouille ou de la corrosion. Nettoyez selon les besoins et essuyez avec un linge huileux.

AVIS : *N'utilisez jamais de papier sablé ni de matériau abrasif sur le piston du levier et le vérin à piston plongeur.*

Ranger

Lorsque le cric n'est pas utilisé, rangez-le, le piston du levier et le vérin à piston plongeur devant être à leur niveau minimal et l'alimentation en air débranchée.

DÉPANNAGE

Problème	Causes possibles	Mesure corrective
Cric ne soulevant pas la charge	<ul style="list-style-type: none"> • Soupape de surpression qui n'est pas bien fermée • Charge trop pesante • Pression d'air incorrecte 	<ul style="list-style-type: none"> • Assurez-vous que la soupape est bien fermée. • Utilisez un cric à plus grande capacité. • Assurez-vous que la pression d'air est adéquate.
Cric soulevant la charge mais qui redescend	<ul style="list-style-type: none"> • Soupape de surpression qui n'est pas bien fermée • Défaillance du vérin hydraulique 	<ul style="list-style-type: none"> • Assurez-vous que la soupape est bien fermée. • Communiquez avec le soutien technique d'Omega.
Cric ne descendant pas après avoir enlevé la charge	<ul style="list-style-type: none"> • Trop de liquide hydraulique dans le réservoir 	<ul style="list-style-type: none"> • Assurez-vous que la charge est enlevée, puis purgez le liquide hydraulique pour qu'il soit au bon niveau.
Performance de levage médiocre	<ul style="list-style-type: none"> • Niveau de liquide hydraulique trop bas • Air emprisonné dans le réservoir 	<ul style="list-style-type: none"> • Assurez-vous que le niveau de liquide est adéquat. • Suivez la procédure de la section Purge de l'air emprisonné à la page 11.
Le point d'appui ne s'élève pas au maximum	<ul style="list-style-type: none"> • Niveau de liquide hydraulique trop bas 	<ul style="list-style-type: none"> • Assurez-vous que le niveau de liquide est adéquat.

PIÈCES DE RECHANGE

Ce ne sont pas toutes les pièces du cric qui peuvent être remplacées, mais elles sont illustrées pour montrer leur emplacement ainsi que leur position pour l'assemblage. Lorsque vous commandez des pièces, fournissez le numéro du modèle, le numéro de série et la description de la pièce. Pour connaître les prix actuels, appelez-nous ou écrivez-nous : Shinn Fu Company of America, Inc., 10939 N. Pomona Ave., Kansas City, MO 64153, É.-U., téléphone : 1 888 322-6419, télécopieur : 1 816 891-6599, courriel : sales@omegalift.com, http://www.omegalift.com.

Modèles 44915, 44930, 44940, 44980 et 44981C

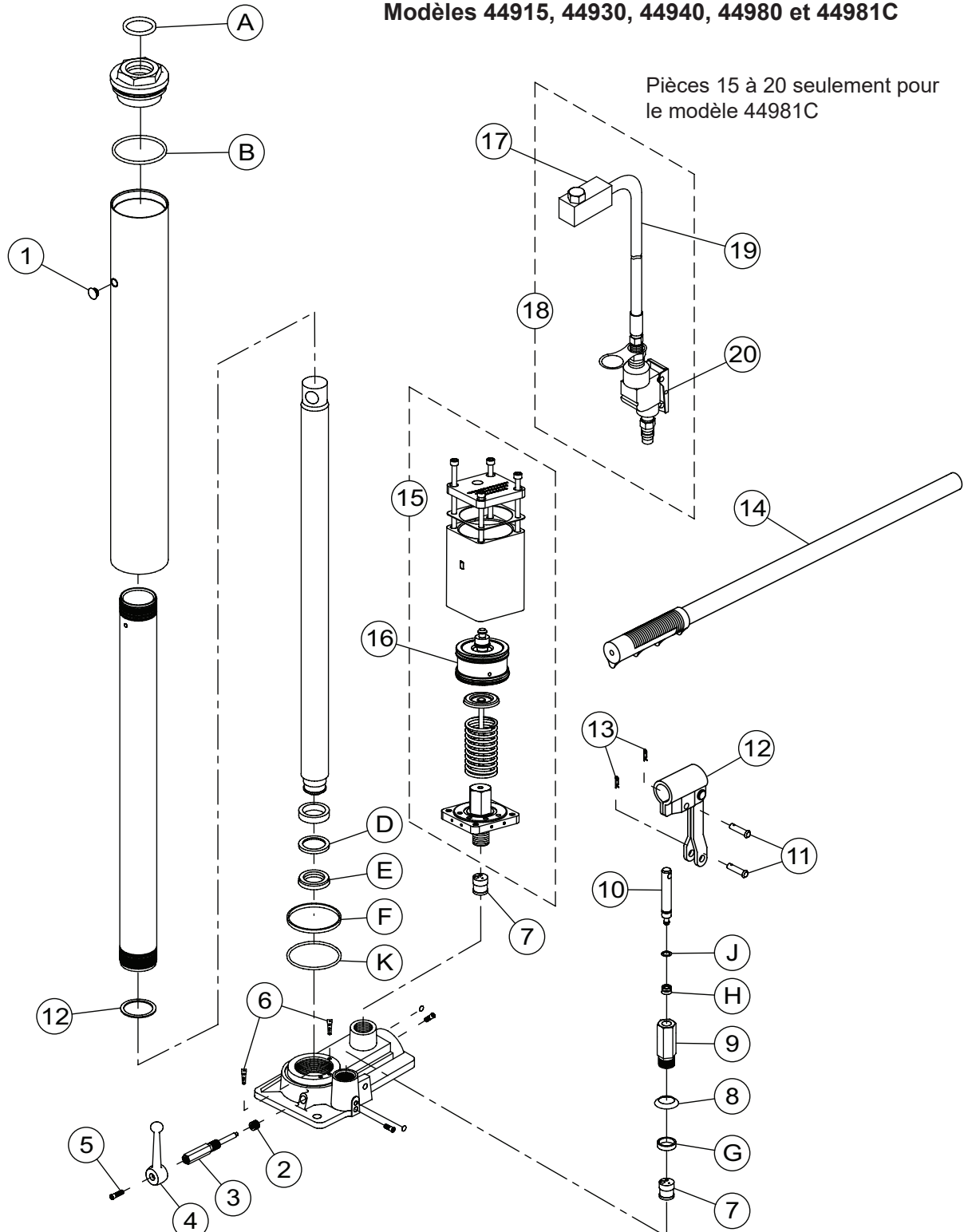


Figure 2 : Illustration des pièces de rechange (modèle 44981C)

Pièce	N° de pièce pour les modèles				Description	Qté	
	44915	44930	44940	44980			44981C
1					5905-00100-200	Bouchon de remplissage d'huile	1
2					5905-00056-000	Joint	1
3					BL80-16001-000	Soupape de surpression	1
4					BL80-16002-000	Levier de la soupape	1
5					5107-05016-000	Vis	1
6					G931-07015-000	Filtre	2
7					BL80-15000-000 (2 pièces pour modèle 44981C)	Boîtier d'hydraulique	1
8					BL80-14002-000	Rondelle	1
9					BL80-14001-000	Vérin du levier	1
10					BL80-14101-000	Piston du levier	1
11					5403-08028-000	Goupille	2
12					BL80-13000-000	Douille de la poignée	1
13					5405-02018-000	Goupille fendue	2
14					BL80-20000-000	Poignée	1
15		S.O.			A27010-0001	Moteur à air	1
16		S.O.			A270-01100-0000	Piston du moteur à air	1
17		S.O.			A27010-0002	Entrée d'air pivotante	1
18		S.O.			A20060-0005	Assemblage de tuyau	1
19		S.O.			A20060-0006	Tuyau d'air	1
20		S.O.			A20060-0007	Vanne de commande de levage	1
21		BL400S-034			BL800S-034	Trousse de joints (comprend les joints 1, 2 et ceux des pièces A à K)	1
22		S.O.	S.O.		A27010-0000	Trousse de joints pour le moteur à air n° 15	1

Contenu de la trousse de joints (pièce 21) :

Pièce	Description	Qté
1	Bouchon de remplissage d'huile	1
2	Joint	1
A	Joint torique	1
B	Joint torique	1
C	Joint d'étanchéité	1
D	Anneau de rechange	1
E	Joint en coupelle	1
F	Anneau de rechange	1
G	Joint	1
H	Joint	1
J	Joint torique	1
K	Joint	1

GARANTIE LIMITÉE DE 1 AN

Pendant une période d'un (1) an, à partir de la date d'achat, **SFA Companies** réparera ou remplacera, à sa discrétion, sans frais, tous ses produits qui, utilisés dans des conditions normales, sont défectueux à cause d'un défaut de matériel ou de fabrication. Cette garantie limitée est le seul recours du consommateur.

Pour bénéficier du service offert par la garantie, il faut retourner le produit couvert par celle-ci, port payé, à **SFA Companies** Warranty Service Department, 10939 N. Pomona Ave., Kansas City, MO 64153, États-Unis.

Sauf dans les cas où les limitations et les exclusions décrites dans ce paragraphe sont spécifiquement interdites par la loi : (1) LE SEUL RECOURS DU CONSOMMATEUR EST DE FAIRE RÉPARER OU REMPLACER LES PRODUITS DÉFECTUEUX COMME DÉCRIT CI-DESSUS; (2) **SFA COMPANIES** NE SERA PAS TENUE RESPONSABLE DES DOMMAGES CONSÉCUTIFS OU INDIRECTS OU DE PERTES QUELCONQUES; (3) TOUTE GARANTIE IMPLICITE, CE QUI INCLUT SANS LIMITATION LES GARANTIES IMPLICITES DE COMMERCIALITÉ ET D'ADAPTATION À UN USAGE PARTICULIER, SERA LIMITÉE À UN AN, À DÉFAUT DE QUOI LA RÉPARATION, LE REMPLACEMENT OU LE REMBOURSEMENT, SELON CETTE GARANTIE EXPRESSE LIMITÉE, CONSTITUE LE SEUL RECOURS DU CLIENT, ET REMPLACE TOUTE AUTRE GARANTIE, IMPLICITE OU EXPRESSE; (4) TOUTE MODIFICATION, ALTÉRATION, UTILISATION ABUSIVE OU NON AUTORISÉE OU DÉCORATION ORNEMENTALE ANNULE CETTE GARANTIE ET N'EST PAS COUVERTE PAR CELLE-CI.

Certaines provinces et certains États ne permettent pas de limiter la durée d'une garantie implicite et il est donc possible que la limitation décrite ci-dessus ne s'applique pas. Certaines provinces et certains États ne permettent pas d'exclure ou de limiter les dommages consécutifs ou indirects et il est donc possible que la limitation ou l'exclusion mentionnée ci-dessus ne s'applique pas. Cette garantie vous confère des droits particuliers et il est aussi possible que vous puissiez jouir d'autres droits qui varient d'une province à l'autre et d'un État à l'autre.

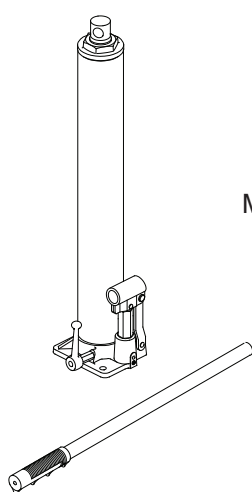
OMEGALIFT™
EQUIPMENT

SFA Companies
10939 N. Pomona Ave., Kansas City, MO 64153, É.-U.
Téléphone : 1 888 332-6419 Télécopieur : 1 816 891-6599
Courriel : sales@omegalift.com
Site Web d'Omega : <http://www.omegalift.com>

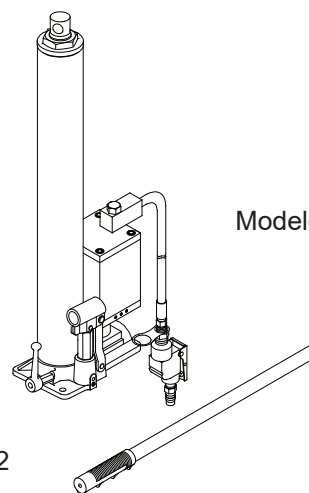
OMEGALIFT™ EQUIPMENT

Gatos hidráulicos largos

Modelo	Capacidad
44915	1-1/2 toneladas (3000 libras)
44930	3 toneladas (6000 libras)
44940	4 toneladas (8000 libras)
44980	8 toneladas (16 000 libras)
44981C (opción neumática)	8 toneladas (16 000 libras)



Modelos 44915, 44930,
44940 y 44980



Modelo 44981C

Patente de EE. UU. N.º 5,946,912



Este es el símbolo de alerta de seguridad. Se usa para alertar sobre peligros potenciales de lesiones personales.

Obedezca todos los mensajes de seguridad que tengan este símbolo, para evitar posibles lesiones personales o la muerte.

! ADVERTENCIA



Para evitar lesiones por opresión y otras lesiones: NUNCA trabaje sobre, debajo o alrededor de una carga que solamente esté apoyada en un gato hidráulico. SIEMPRE use un par de soportes para gato de capacidad nominal adecuada.

SFA Companies
<http://www.omegalift.com>

Lea este manual y respete todas las reglas de seguridad y las instrucciones de funcionamiento antes de usar este producto.

INFORMACIÓN GENERAL Y DE SEGURIDAD

Conserve estas instrucciones. Para su seguridad, lea, comprenda y siga la información que viene con este dispositivo antes de su uso. El propietario u operador debe tener conocimientos sobre el dispositivo, sus características operativas y las instrucciones para un funcionamiento seguro antes de utilizar el equipo. El propietario u operador debe tener presente que el uso y la reparación de este producto podrían requerir habilidades y conocimientos especiales. Es preciso leer y analizar las instrucciones y la información de seguridad con el operador, en su lengua materna, a fin de asegurarse de que el operador comprenda su contenido antes de recibir autorización para el uso de este equipo. Si tiene dudas sobre el uso seguro y adecuado de este dispositivo, proceda a sacarlo de servicio de inmediato.

Inspeccione el dispositivo antes de cada uso. No use el dispositivo si presenta anomalías, como grietas en la soldadura, o piezas dañadas, flojas o faltantes. Debe sacar de servicio todo equipo que presente daños, de la naturaleza que fueren, esté gastado o funcione mal hasta su reparación. Si tiene la sospecha o la certeza de que el equipo fue sometido a una carga o sufrió un impacto anormal, interrumpa el uso de inmediato hasta que sea controlado por un centro de reparación autorizado por la fábrica (comuníquese con el distribuidor o fabricante para obtener una lista de los centros de reparación autorizados). Se recomienda realizar una inspección anual a cargo de un centro de reparaciones autorizado. Las etiquetas y los manuales del operador están disponibles por parte del fabricante.

DESCRIPCIÓN DEL PRODUCTO

Este gato está específicamente diseñado para usarse con las grúas de motor correspondientes de Omega para levantar, no soportar, cargas de capacidad nominal. Inmediatamente después de la elevación, la carga debe apoyarse en soportes mecánicos adecuados. Para los modelos con opción neumática, asegúrese de que la fuente de aire pueda dedicar 7,8 CFM a 110-175 psi (7,5 a 12 bar) a cada gato en funcionamiento.

⚠ ADVERTENCIA

- *Estudie, comprenda y siga todas las instrucciones antes de poner en funcionamiento este dispositivo.*
- *No exceda la capacidad establecida.*
- *Utilícelo únicamente sobre superficies duras y uniformes.*
- *Es solo un dispositivo para levantar cargas. Inmediatamente después de levantar el vehículo, utilice los soportes adecuados.*
- *Únicamente para uso en conjunto con la grúa de motor correspondiente de Omega.*
- *No deben hacerse modificaciones a este producto.*
- *Si no se respetan estas indicaciones, podrían producirse lesiones personales o daños a la propiedad.*

ESPECIFICACIONES

Modelo	Capacidad	Altura mín.	Altura máx.	Medida de la base (L x P)
44915	1-1/2 toneladas (3000 libras)	19-7/8" (50,4 cm)	35-1/4" (89,5 cm)	5-1/8" x 4-1/2" (13 cm x 11,4 cm)
44930	3 toneladas (6000 libras)			
44940	4 toneladas (8000 libras)			
44980	8 toneladas (16 000 libras)	24-1/8" (61,2 cm)	43-1/4" (109,8 cm)	5" x 4-3/4" (12,7 cm x 12 cm)
44981C	8 toneladas (16 000 libras)			7-1/8" x 5" (18 cm x 12,7 cm)

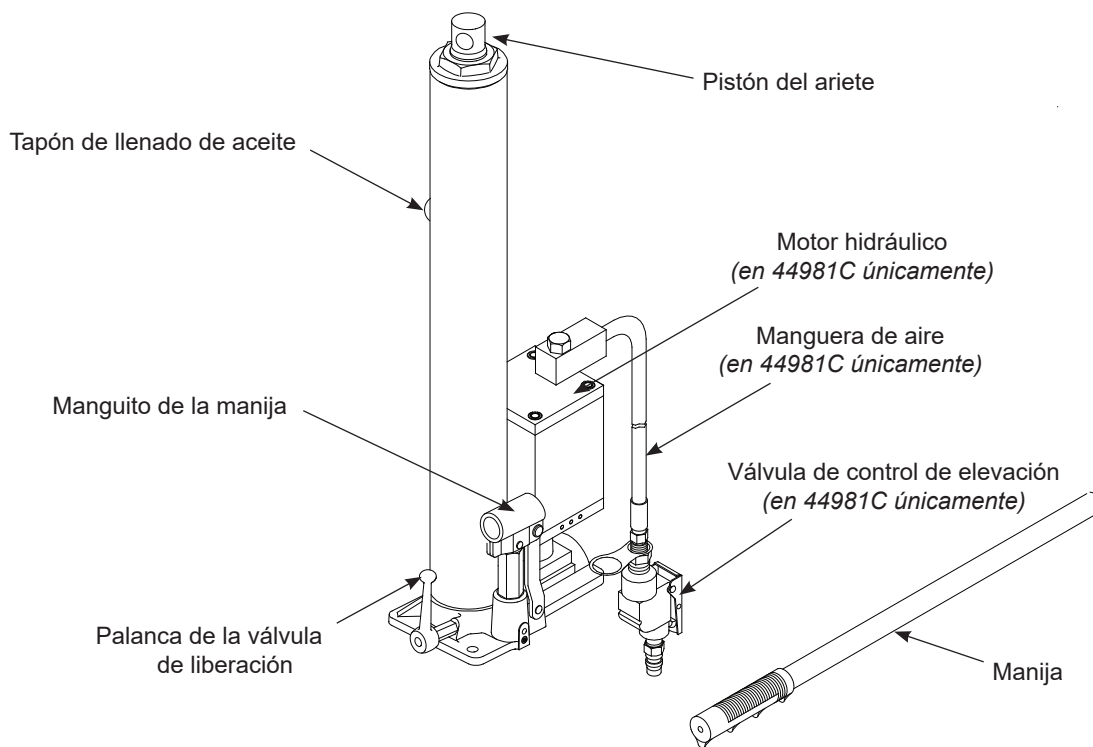


Figura 1: Nomenclatura habitual de un gato hidráulico largo (se muestra 44981C)

PREPARACIÓN

Antes del uso

1. Verifique que el producto y la aplicación sean compatibles; si tiene dudas, llame al Servicio técnico de Omega al (888) 332-6419.
2. Antes de usar este producto, lea todo el manual del operador; procure familiarizarse en forma completa con el producto y sus componentes, y reconocer los peligros asociados a su uso.
3. Para familiarizarse con el funcionamiento básico, ubique y gire la palanca de la válvula de liberación:
 - a. A la derecha hasta que sienta una resistencia firme para continuar girando. Esta es la posición '**CERRADO**' de la válvula de liberación que se usa para elevar el pistón del ariete.
 - b. A la izquierda, pero no más de 1/2 giro con respecto a la posición de cerrado. Esta es la posición '**ABIERTO**' de la válvula de liberación que se usa para bajar el pistón del ariete.
4. Una vez que el pistón del ariete se haya contraído por completo y la válvula de liberación esté cerrada, bombee la manija de funcionamiento. Si el pistón del ariete responde de inmediato, el gato está listo para ser usado. Si el gato no responde, siga las instrucciones de la sección **Purgado/descarga del aire atrapado** a continuación.
5. Para el modelo con opción neumática 44981C:
Vierta una cucharadita de lubricante para herramientas de aire de buena calidad en la entrada del suministro de aire de la válvula de control de elevación. Conecte al suministro de aire y hágalo funcionar durante 3 segundos para distribuir el lubricante de manera uniforme.

AVISO: Los gatos operados por aire están equipados con el acoplador de aire común de 1/4" (0,6 cm) NPT. Si instala un acoplador de aire que no sea el de su elección, asegúrese de usar cinta o compuesto aislante para la reparación de las conexiones. Se recomienda el uso de un secador de aire y engrasador en línea para asegurar el funcionamiento fiable y libre de problemas.

6. Verifique que la bomba funcione sin dificultades antes de ponerla en servicio. Reemplace las piezas y los conjuntos desgastados o dañados solo con piezas de repuesto autorizadas de Omega.

Purgado/descarga del aire atrapado

Coloque la válvula de liberación en la posición ABIERTO (3b anterior) y baje el pistón del ariete en forma completa; luego, ubique y retire el tapón de llenado de aceite. Coloque la manija en el manguito de la manija; luego bombee de 6 a 8 recorridos completos. Esto ayudará a liberar el aire presurizado que pudiera estar atrapado dentro del depósito. El aceite debe estar a nivel con la parte inferior del orificio de llenado de aceite. Vuelva a colocar el tapón de llenado de aceite.

FUNCIONAMIENTO

Extensión del pistón del ariete

⚠ ADVERTENCIA: *Nunca use este gato como dispositivo de elevación independiente.*

⚠ ADVERTENCIA: *Luego de levantar la carga, utilice los soportes mecánicos adecuados de inmediato.*

1. Ubique y cierre la válvula de liberación; para hacerlo, gírela a la derecha hasta que sienta una resistencia firme.
2. Para elevar:
 - a) *Modelos 44915, 44930, 44940 y 44980:* Inserte la manija en el manguito de la manija y la bomba.
 - b) *Modelo 44981C:* Oprima la válvula de control de elevación o inserte la manija en el manguito de la manija y la bomba.

⚠ ADVERTENCIA: *En los modelos con opción neumática, nunca use cables ni abrazaderas ni desactive de otro modo la válvula de control de elevación para que funcione de otra manera que no sea con la mano del operador.*

AVISO: *No haga funcionar el gato mediante bombeo neumático y manual al mismo tiempo.*

3. Siga bombeando hasta que la carga alcance la altura deseada.
4. Asegure inmediatamente la carga levantada con soportes mecánicos adecuados como soportes para gato o soportes para motor.

AVISO: *No utilice extensiones en la manguera de aire o la manija de funcionamiento.*

Retracción del pistón del ariete

⚠ ADVERTENCIA: *Despeje el área de herramientas y operarios antes de bajar la carga. Abra lentamente la válvula de liberación. Cuanto más gire la manija a la izquierda, más rápido descenderá la carga. Mantenga el control de la carga en todo momento.*

1. Eleve la carga a una altura que permita despejar los soportes mecánicos; luego retire con cuidado los soportes.
2. Gire lentamente la palanca de la válvula de liberación a la izquierda, pero no más de 2 giros. *Si la carga no desciende:*
 - a. Use otro dispositivo de elevación o gato para elevar la carga a una altura que permita volver a instalar los soportes mecánicos.
 - b. Retire el gato afectado y, a continuación, los soportes.
 - c. Baje la carga; para hacerlo, gire la palanca de la válvula de liberación a la izquierda.
3. Luego de retirar el gato de la parte de abajo de la carga, baje el ariete y el manguito de la manija para reducir la exposición al óxido y la contaminación.

MANTENIMIENTO

AVISO: *Use solo aceite para gatos hidráulicos de buena calidad. Evite mezclar diferentes tipos de líquidos y NUNCA use líquido de frenos, aceite de turbinas, líquido de transmisión, aceite de motor ni glicerina. El uso de un líquido inadecuado puede provocar fallas prematuras en el gato y posibles pérdidas de carga repentinas e inmediatas. Se recomienda el uso de aceite para gato hidráulico de alta calidad.*

Agregado de aceite

1. Una vez que el pistón del ariete haya descendido por completo y el pistón de la bomba se haya oprimido por completo, coloque el gato en posición vertical y a nivel. Retire el tapón de llenado de aceite.
2. Llene con aceite hasta justo por debajo del borde del orificio de llenado de aceite. Vuelva a colocar el tapón de llenado de aceite.

Cambio de aceite

AVISO: *Para lograr el mejor rendimiento y una vida útil más prolongada, cambie el suministro completo de líquido por lo menos una vez al año.*

1. Una vez que el pistón del ariete haya descendido por completo y el pistón de la bomba se haya oprimido por completo, quite el tapón de llenado de aceite.
2. Coloque al gato de lado y descargue el líquido en un recipiente adecuado.

AVISO: *Deseche el aceite hidráulico conforme a las reglamentaciones ambientales locales.*

3. Llène con aceite hasta justo por debajo del borde del orificio de llenado de aceite. Vuelva a colocar el tapón.
4. Realice el procedimiento de la sección **Purgado/descarga del aire atrapado** (página 19).

Lubricación

1. La lubricación periódica con un aceite liviano en los puntos de giro, los ejes y las bisagras ayudará a evitar la corrosión y garantizará que los conjuntos de la bomba se muevan libremente.
2. *Para el modelo con opción neumática 44981C:* Cuando se usa a diario, la bomba de aire debe lubricarse por dentro antes de cada uso. Use lubricante para herramientas de aire de buena calidad. Si no se usa un engrasador en línea, vierta una cucharadita de aceite para herramientas de aire en la entrada de la válvula de control de aire. Simplemente haga funcionar el gato usando la función de aire para poder distribuir el aceite en forma completa.

Limpieza

Verifique periódicamente el pistón de la bomba y el pistón del ariete en busca de signos de oxidación o corrosión. Límpielos con un paño con aceite, según sea necesario.

AVISO: *Nunca use papel de lija ni materiales abrasivos en las superficies del ariete y el pistón de la bomba.*

Almacenamiento

Cuando no lo utilice, guarde el gato con el pistón de la bomba y el pistón del ariete totalmente contraídos y el suministro de aire desconectado.

LOCALIZACIÓN Y SOLUCIÓN DE AVERÍAS

Síntoma	Causas posibles	Medidas correctivas
El gato no levanta la carga.	<ul style="list-style-type: none"> • La válvula de liberación no está herméticamente cerrada. • La carga es demasiado pesada. • La presión de aire es inadecuada. 	<ul style="list-style-type: none"> • Asegúrese de que la válvula de liberación esté herméticamente cerrada. • Piense en la posibilidad de usar un gato de mayor capacidad. • Asegúrese de que la presión de aire sea adecuada.
El gato se eleva, pero no mantiene la presión.	<ul style="list-style-type: none"> • La válvula de liberación no está herméticamente cerrada. • La unidad hidráulica no funciona correctamente. 	<ul style="list-style-type: none"> • Asegúrese de que la válvula de liberación esté herméticamente cerrada. • Póngase en contacto con un técnico de servicio de Omega.
El gato no baja después de su descarga.	<ul style="list-style-type: none"> • El depósito está lleno en exceso. 	<ul style="list-style-type: none"> • Asegúrese de retirar la carga y descargue el líquido hasta el nivel adecuado.
La capacidad de elevación es deficiente.	<ul style="list-style-type: none"> • El nivel de líquido está bajo. • Hay aire atrapado en el sistema. 	<ul style="list-style-type: none"> • Asegúrese de que el nivel de líquido sea el adecuado. • Siga el procedimiento indicado en Purgado/descarga del aire atrapado (página 19).
La elevadora no se eleva al máximo de su capacidad.	<ul style="list-style-type: none"> • El nivel de líquido está bajo. 	<ul style="list-style-type: none"> • Asegúrese de que el nivel de líquido sea el adecuado.

PIEZAS DE REPUESTO

No todos los componentes del gato tienen reemplazo, pero se ilustran a modo de referencia práctica de la ubicación y la posición que ocupan en la secuencia del conjunto. Cuando realice el pedido de piezas, indique el número de modelo, el número de serie y la descripción. Para obtener el precio vigente, comuníquese a: Shinn Fu Company of America, Inc. 10939 N. Pomona Ave. Kansas City, MO 64153, U.S.A. Tel.:(888) 332-6419 Fax:(816) 891-6599 Correo electrónico: sales@omegalift.com Sitio web de Omega: http://www.omegalift.com

Modelos 44915, 44930, 44940, 44980 y 44981C

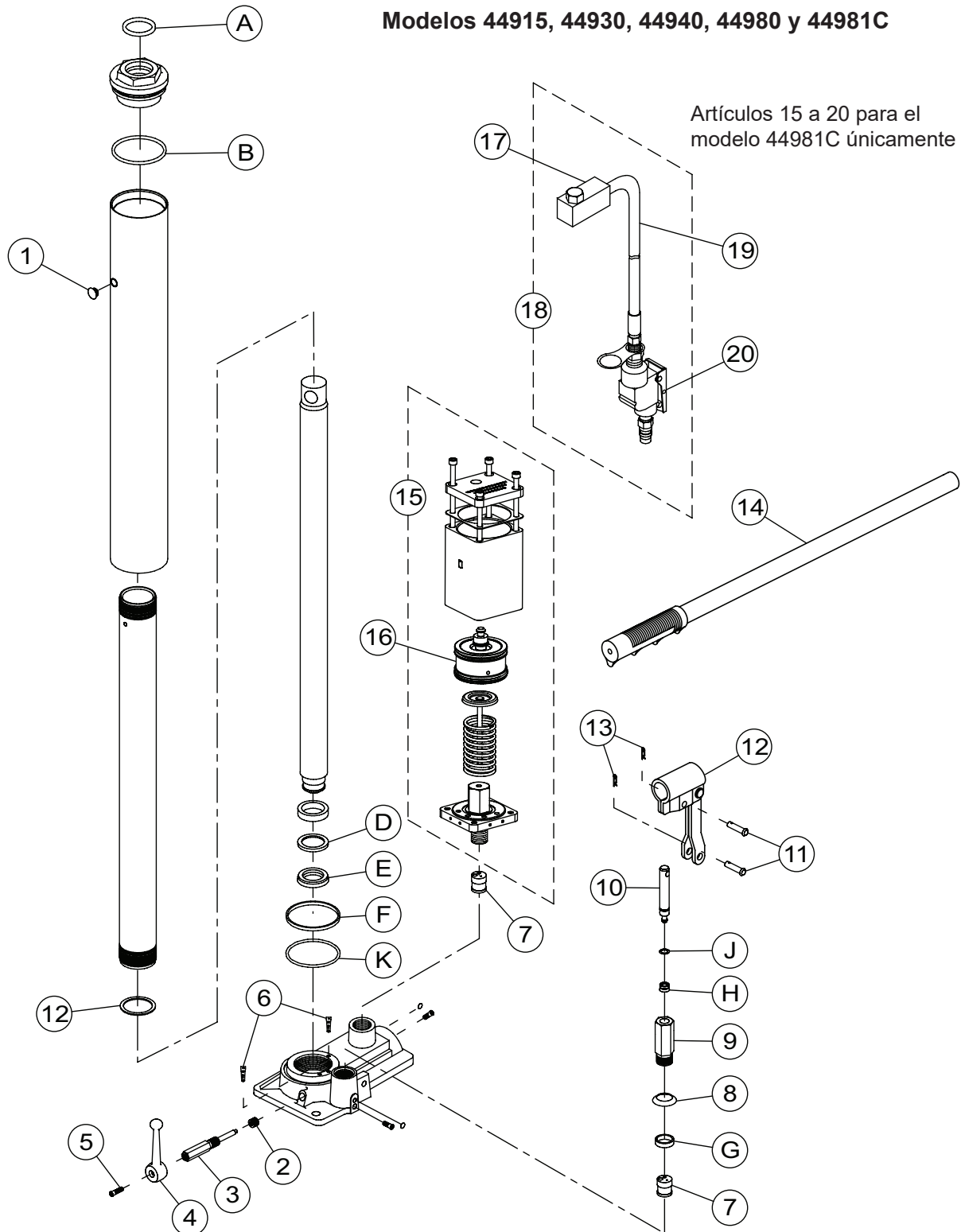


Figura 2: Ilustración de piezas de repuesto (se muestra 44981C)

Elemento	N.º de piezas para el modelo:					Descripción	Cant.
	44915	44930	44940	44980	44981C		
1			5905-00100-200			Tapón de llenado	1
2			5905-00056-000			Sello	1
3			BL80-16001-000			Válvula de liberación	1
4			BL80-16002-000			Palanca de liberación	1
5			5107-05016-000			Tornillo	1
6			G931-07015-000			Filtro	2
7			BL80-15000-000 (2 piezas para el modelo 44981C)			Cartucho hidráulico	1
8			BL80-14002-000			Arandela	1
9			BL80-14001-000			Cilindro de la bomba	1
10			BL80-14101-000			Pistón de la bomba	1
11			5403-08028-000			Pasador	2
12			BL80-13000-000			Manguito de la manija	1
13			5405-02018-000			Pasador de gancho	2
14			BL80-20000-000			Manija	1
15		N/D		A27010-0001		Motor neumático	1
16		N/D		A270-01100-0000		Pistón, motor neumático	1
17		N/D		A27010-0002		Admisión de aire giratoria	1
18		N/D		A20060-0005		Conjunto de la manguera	1
19		N/D		A20060-0006		Manguera de aire	1
20		N/D		A20060-0007		Válvula de control de aire	1
21		BL400S-034		BL800S-034		Kit de aislamiento (n.º 1, 2 y A~K)	1
22		N/D	N/D	A27010-0000		Kit de aislamiento para motor neumático N.º 15	1

Contenido del kit de aislamiento (artículo 21):

Elemento	Descripción	Cant.
1	Tapón de llenado	1
2	Sello	1
A	Junta tórica	1
B	Junta tórica	1
C	Junta	1
D	Anillo de respaldo	1
E	Copa en U	1
F	Anillo de respaldo	1
G	Sello	1
H	Sello	1
J	Junta tórica	1
K	Sello	1

GARANTÍA LIMITADA DE UN AÑO

Por el período de un (1) año desde la fecha de compra, **SFA Companies** reparará o reemplazará, a su discreción, sin costo alguno, cualquier producto que presente fallas debido a defectos de materiales o mano de obra bajo condiciones normales de uso. Esta garantía limitada es un recurso exclusivo del consumidor.

El cumplimiento de toda obligación en virtud de esta garantía puede obtenerse con el envío del producto en garantía, con flete abonado en origen, a **SFA Companies** Warranty Service Department, 10939 N. Pomona Ave., Kansas City, MO 64153.

Salvo que tales limitaciones y exclusiones estén específicamente prohibidas por las leyes vigentes, (1) EL ÚNICO Y EXCLUSIVO RECURSO DEL CONSUMIDOR SERÁ LA REPARACIÓN O EL REEMPLAZO DE LOS PRODUCTOS DEFECTUOSOS, COMO SE DETALLA ARRIBA. (2) **SFA COMPANIES** NO SERÁ RESPONSABLE, EN NINGÚN CASO, POR DAÑOS O PÉRDIDAS EMERGENTES O INCIDENTALES. (3) TODA GARANTÍA IMPLÍCITA, LO QUE INCLUYE, ENTRE OTRAS, LAS GARANTÍAS IMPLÍCITAS DE COMERCIALIZACIÓN Y APTITUD PARA FINES ESPECÍFICOS, ESTARÁ LIMITADA A UN AÑO; DE OTRO MODO, LA REPARACIÓN, EL REEMPLAZO O LA DEVOLUCIÓN DE DINERO CONFORME A ESTA GARANTÍA LIMITADA EXPRESA SERÁ EL EXCLUSIVO RECURSO DEL CONSUMIDOR, Y SE OFRECE EN LUGAR DE CUALQUIER OTRA GARANTÍA, EXPRESA O IMPLÍCITA. (4) CUALQUIER MODIFICACIÓN, ALTERACIÓN, USO INDEBIDO, SERVICIO NO AUTORIZADO O DISEÑO ORNAMENTAL ANULARÁ ESTA GARANTÍA Y NO ESTARÁ CUBIERTO POR ESTA GARANTÍA.

Algunos estados no permiten la limitación de la duración de las garantías implícitas, por lo que las limitaciones anteriores pueden no aplicarse en su caso. Algunos estados no permiten excluir o limitar los daños emergentes o incidentales, por lo tanto esta limitación o exclusión puede no ser aplicable en su caso. Esta garantía le otorga derechos legales específicos. Usted puede tener además otros derechos que varían de un estado a otro.



SFA Companies
10939 N. Pomona Ave. Kansas City, MO 64153, U.S.A.
Tel.:(888) 332-6419 Fax:(816) 891-6599
Correo electrónico: sales@omegalift.com
Sitio web de Omega: <http://www.omegalift.com>