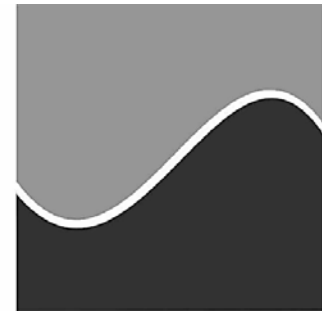


HOFMANN®

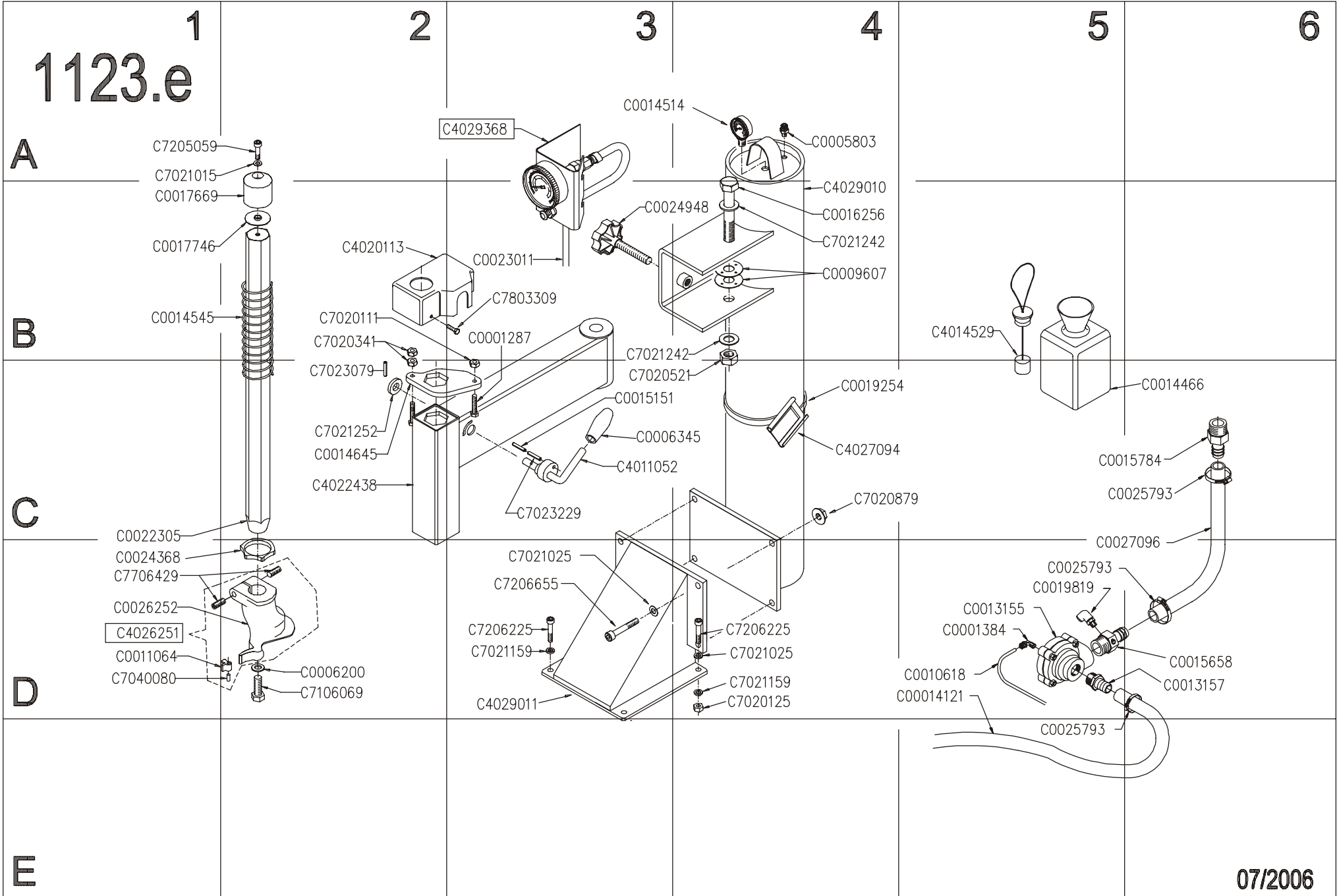


Monty 1620
Monty 1625

SPARE PARTS
LISTE DES PIECES DETACHEES

P/N: TEEWH715A3 Rev. M 04.07

1123.e



07/2006

1
1122.c

A

B

C

D

E

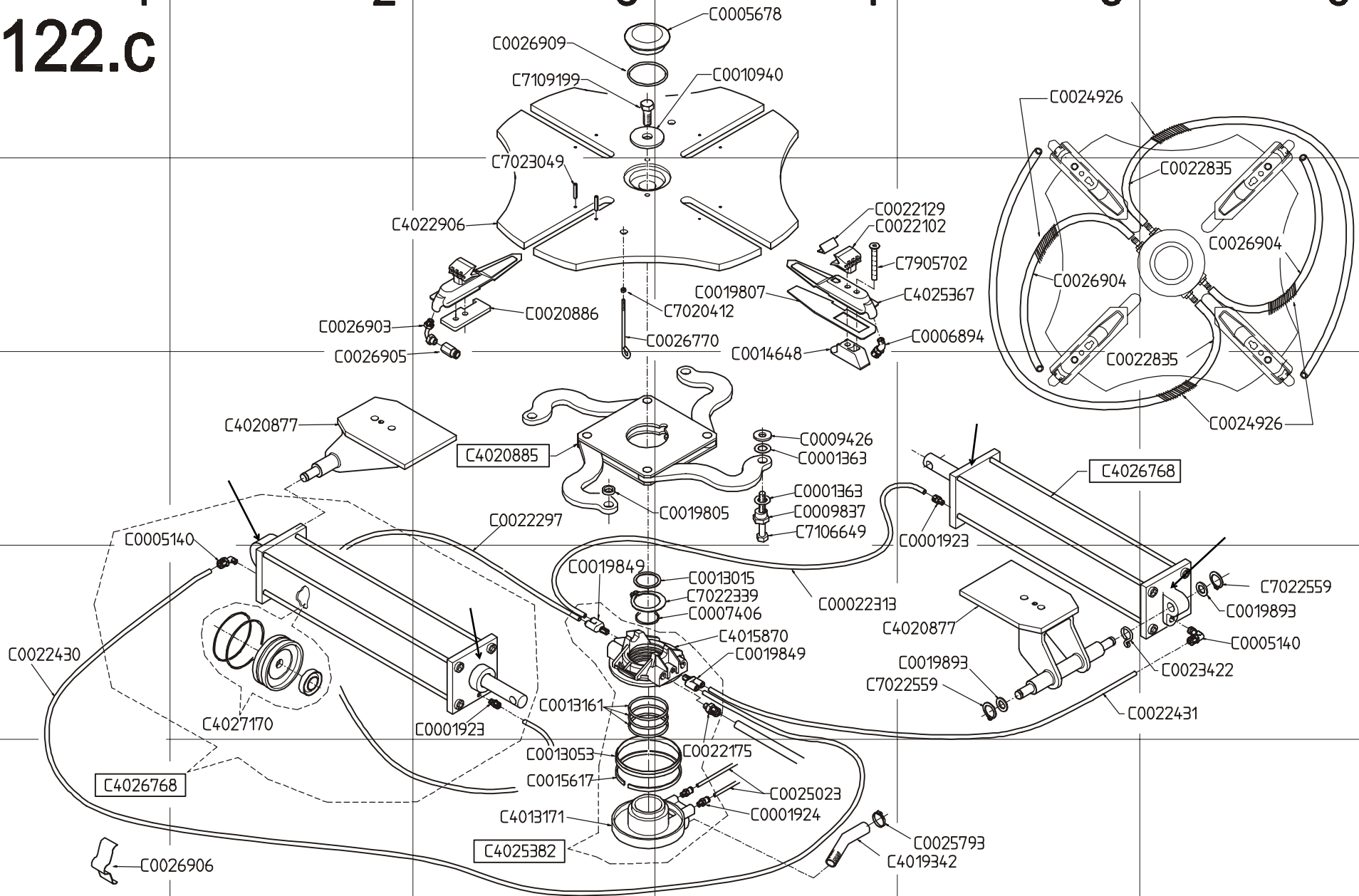
2

3

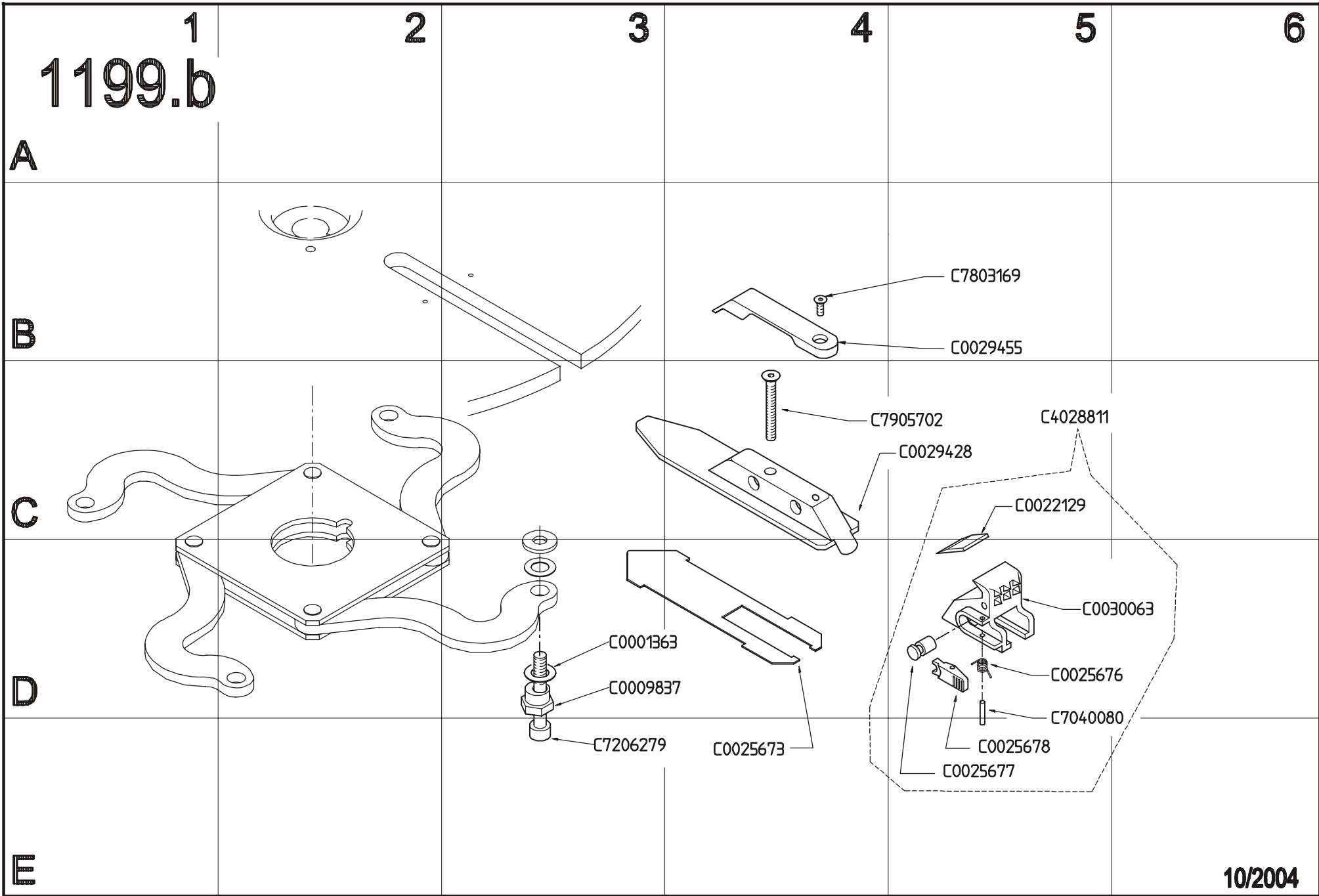
4

5

6



01/2005



1
1117.a

2

3

4

5

6

A

B

C

D

E

C0002593

C0029936

C7021039

C7021015

C7020015

C1014451 (1Ph-115V)

C7020039

C7021102

C0010491

C0001951

C7021102

C7020015

C7021015

C7105109

C4014538

C7021159

C7020125

C7105431

C7021015

07/2004

1

2

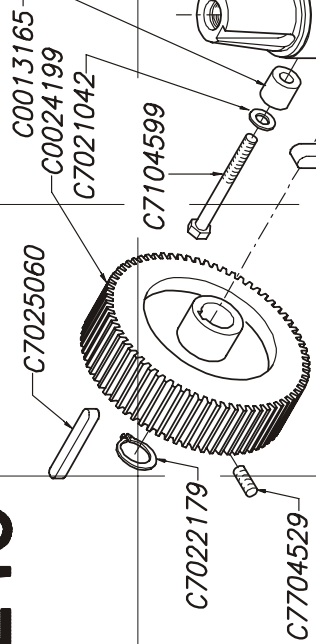
3

4

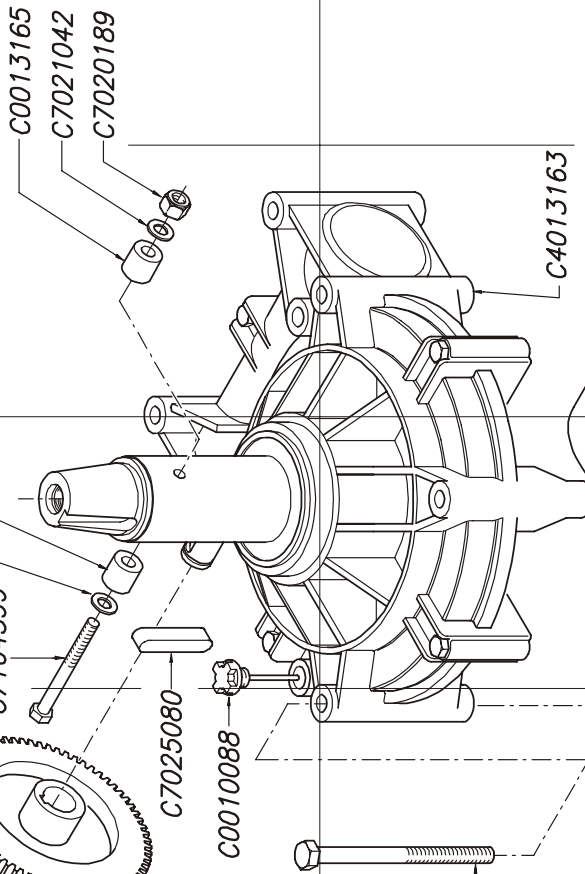
5

1245

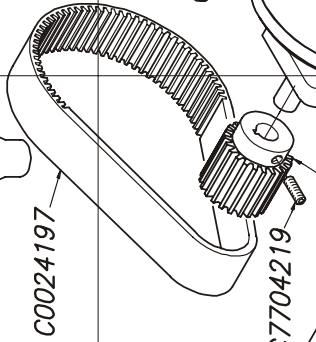
A



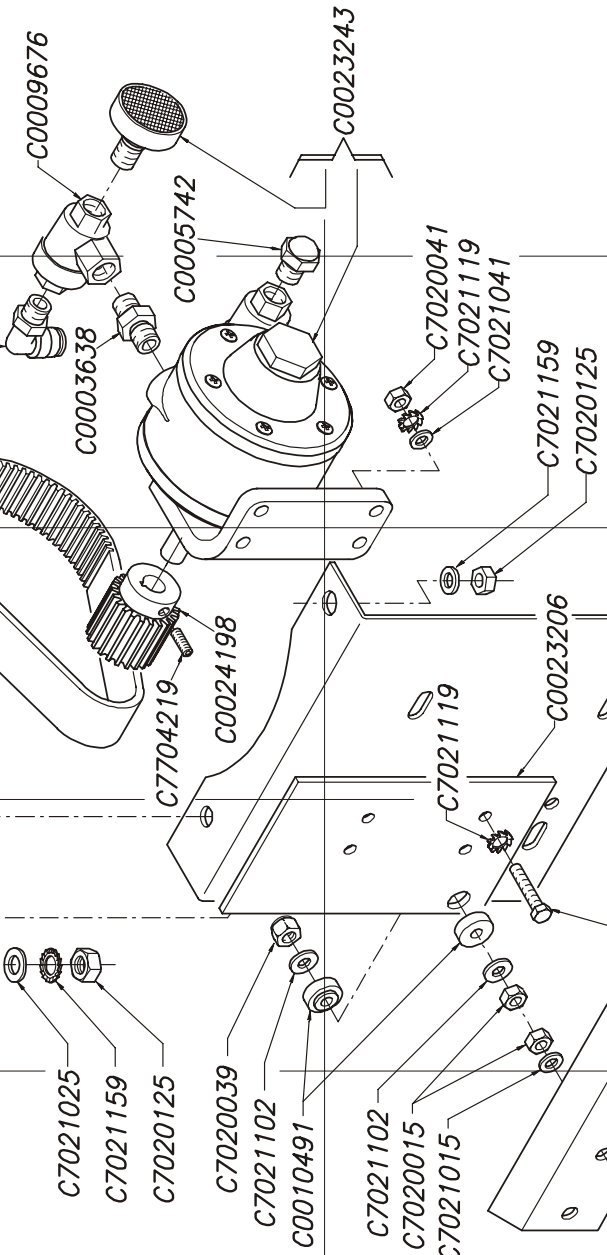
B



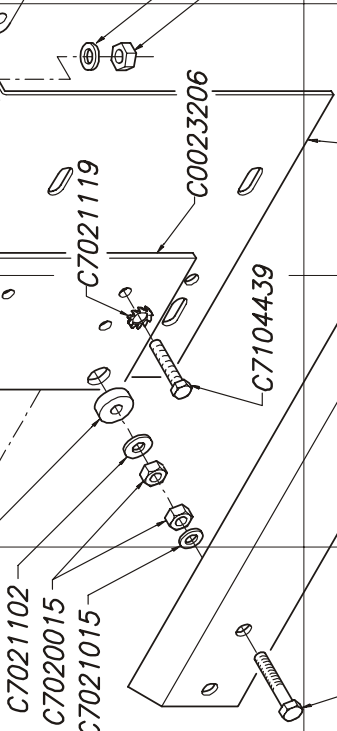
C



D



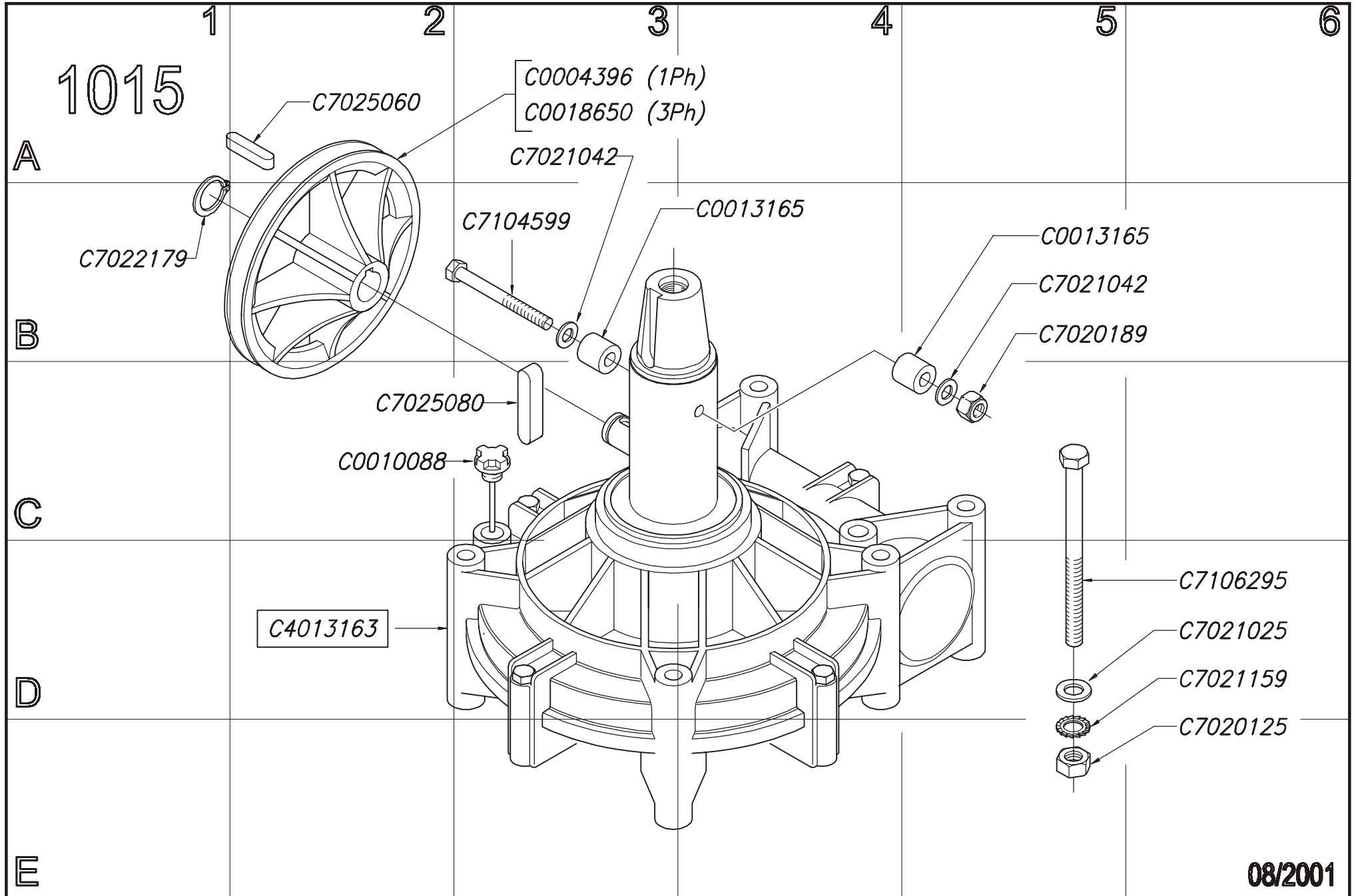
E



F



AIR VERSION
01/2003



1121

1

2

3

4

5

6

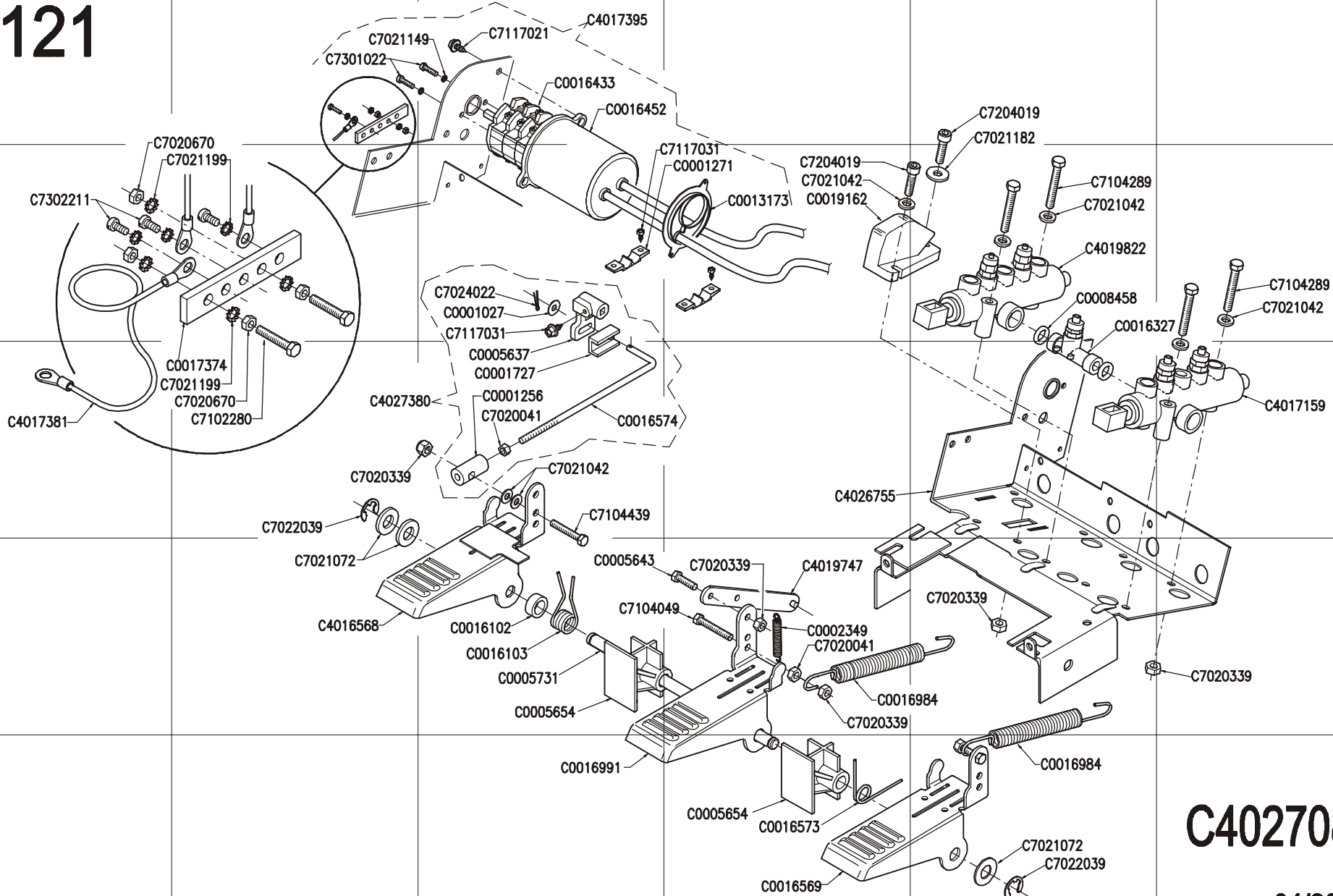
A

B

C

D

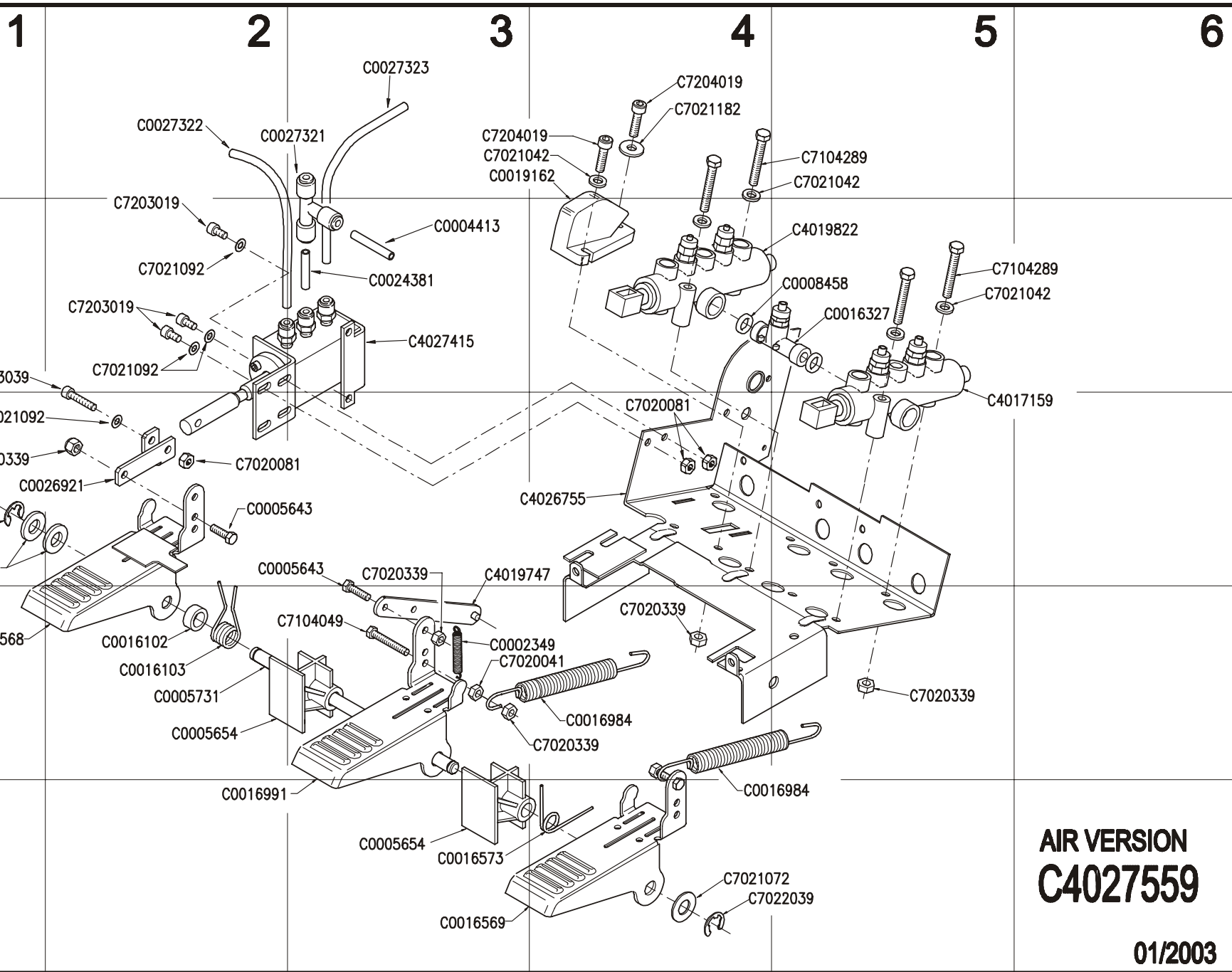
E



C4027089

04/2002

1244

A**B****C****D****E**

AIR VERSION
C4027559

01/2003

1120

1

2

3

4

5

6

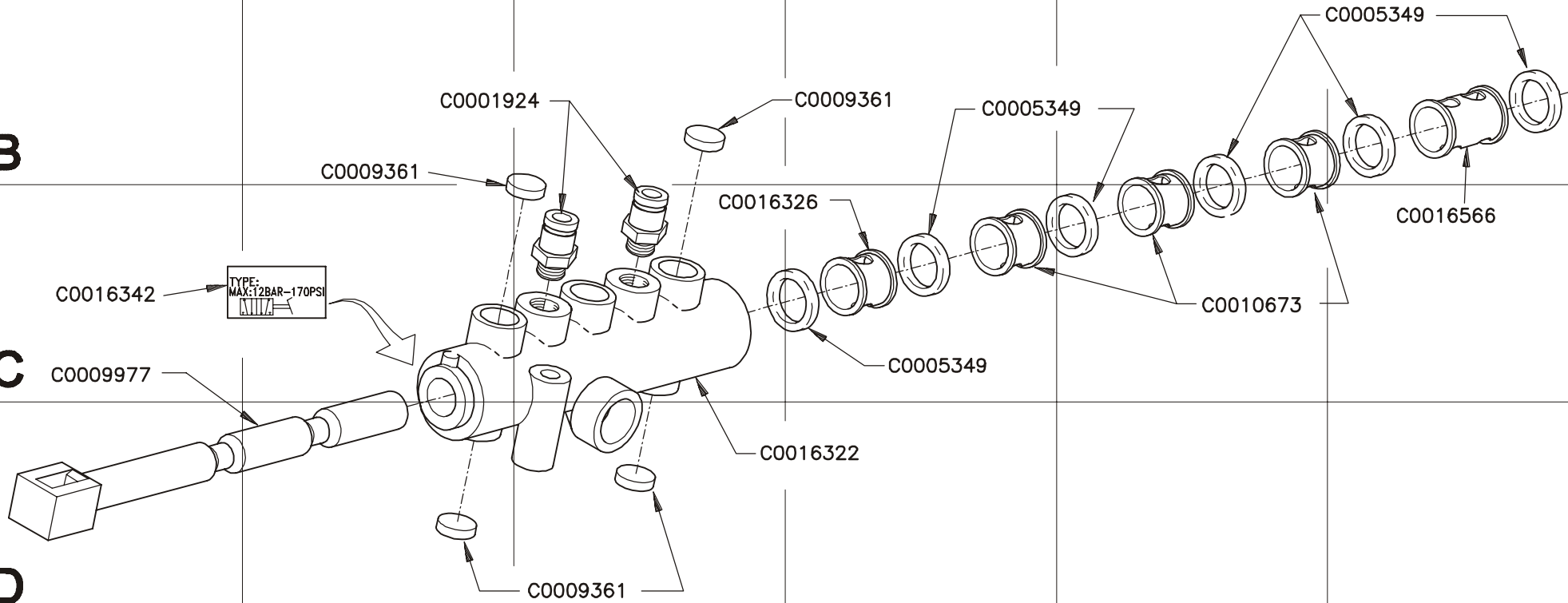
A

B

C

D

E



C4019822

04/2002

1246

1

2

3

4

5

6

A

B

C

D

E

C0022175

C0026915

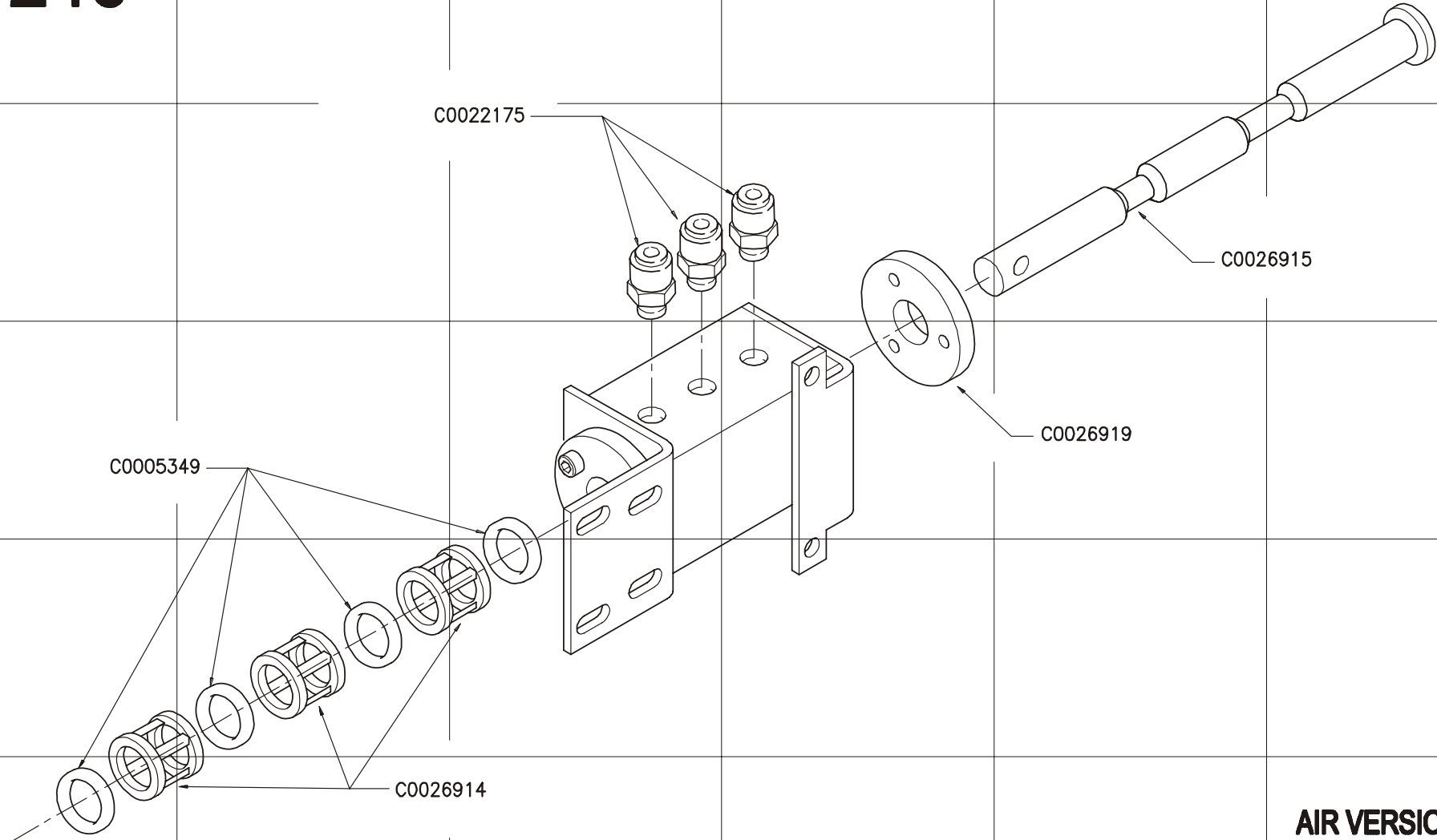
C0026919

C0005349

C0026914

AIR VERSION
C4027415

01/2003



1
1508.b

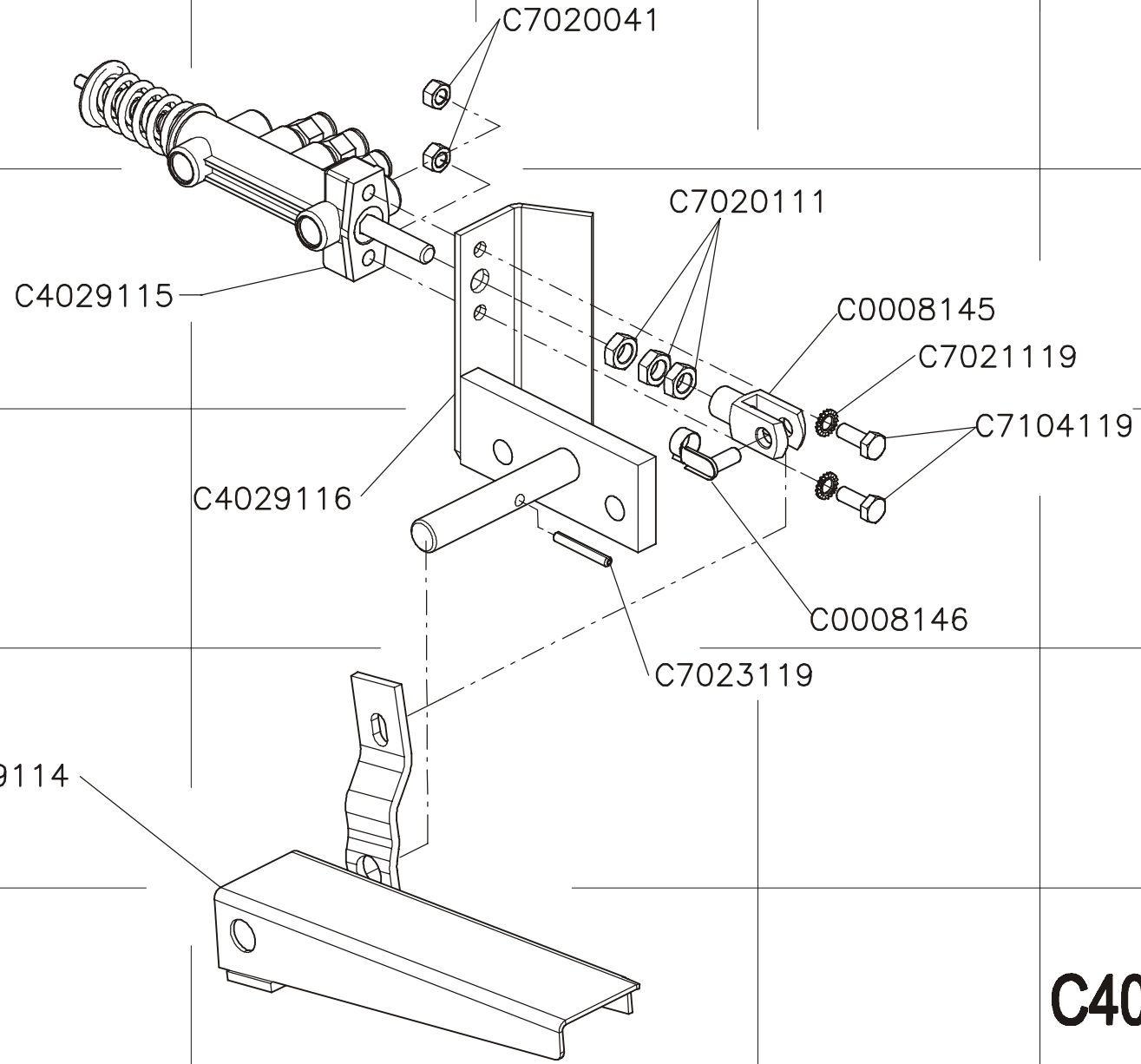
A

B

C

D

E

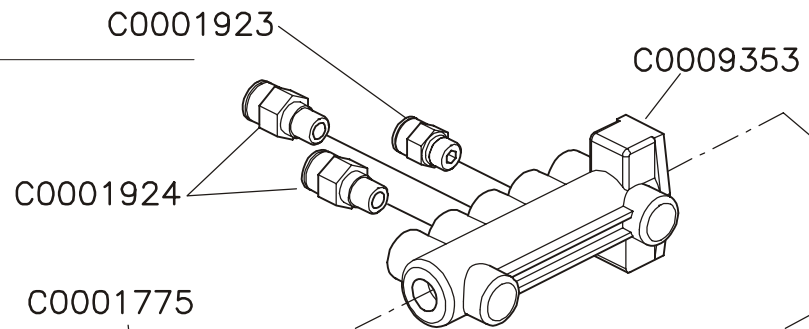


C4029117

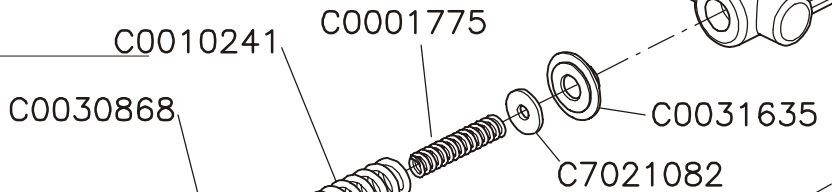
03/2006

1
1510.b

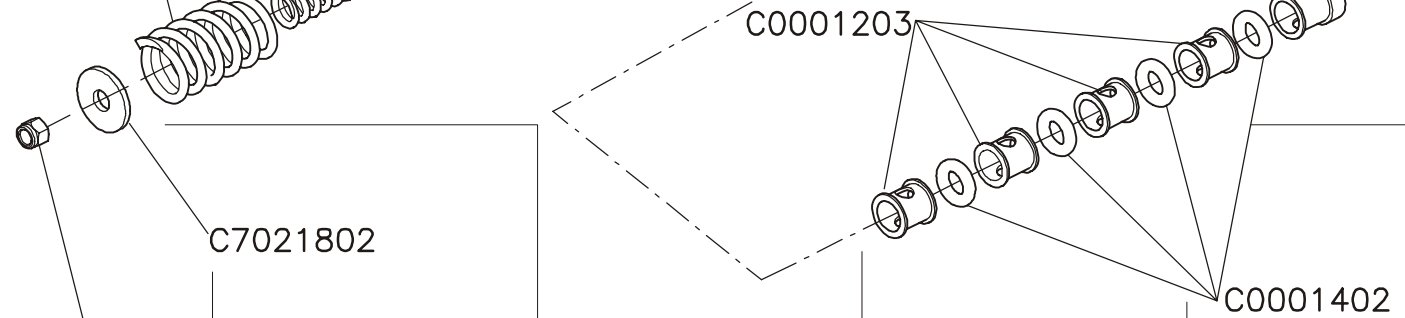
A



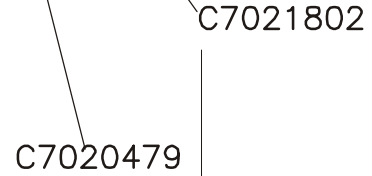
B



C



D

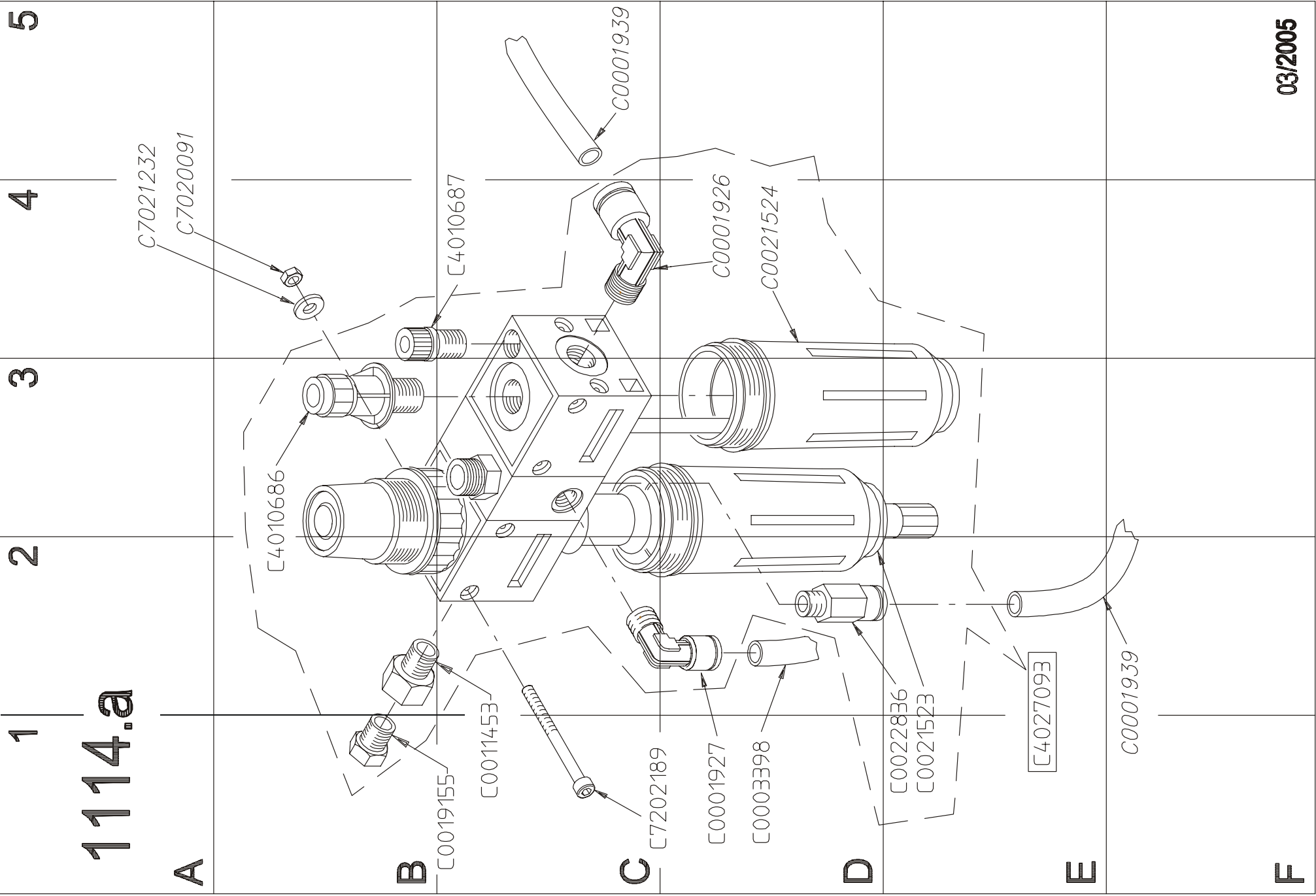


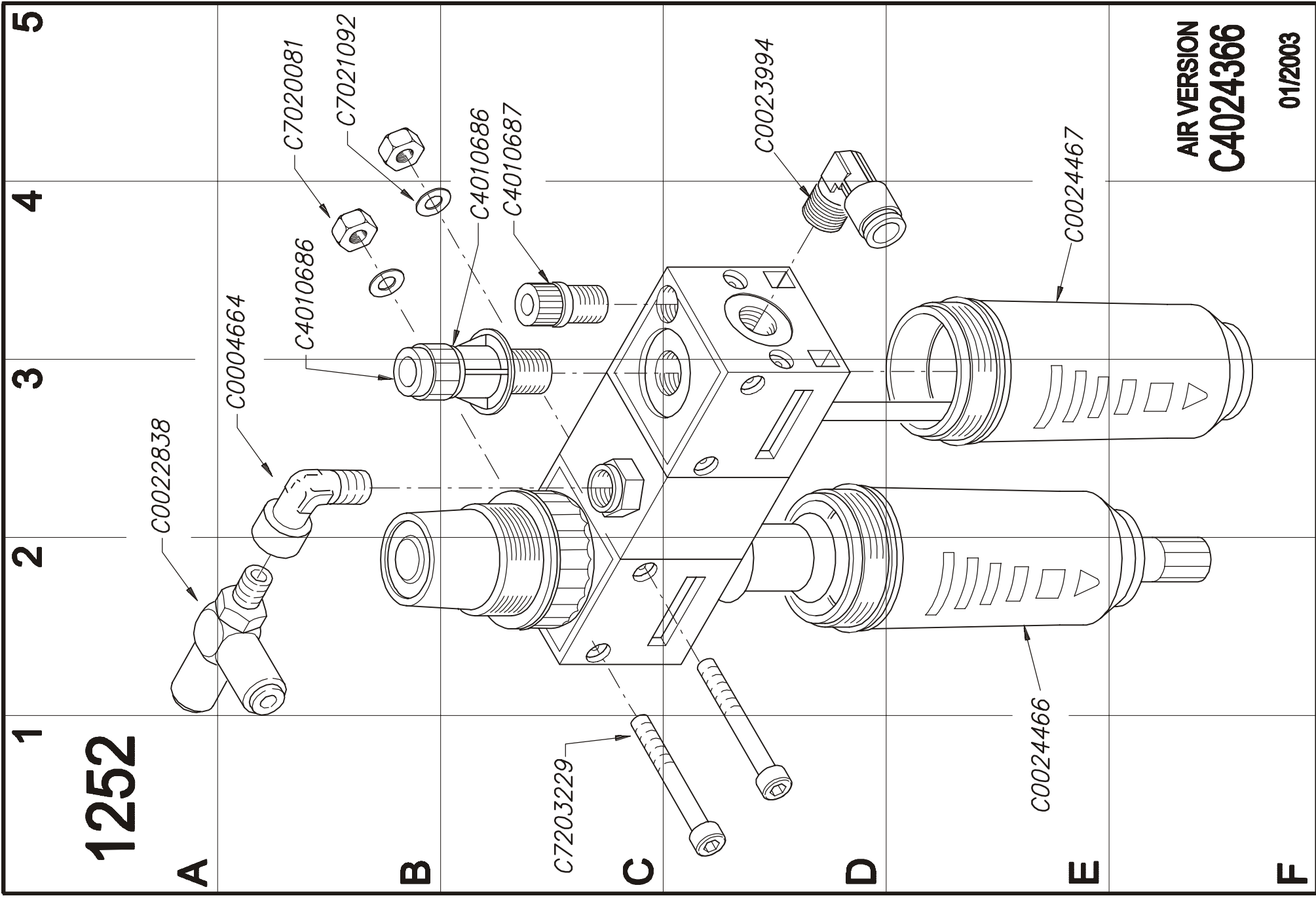
E

C0013010

C4029115

03/2006

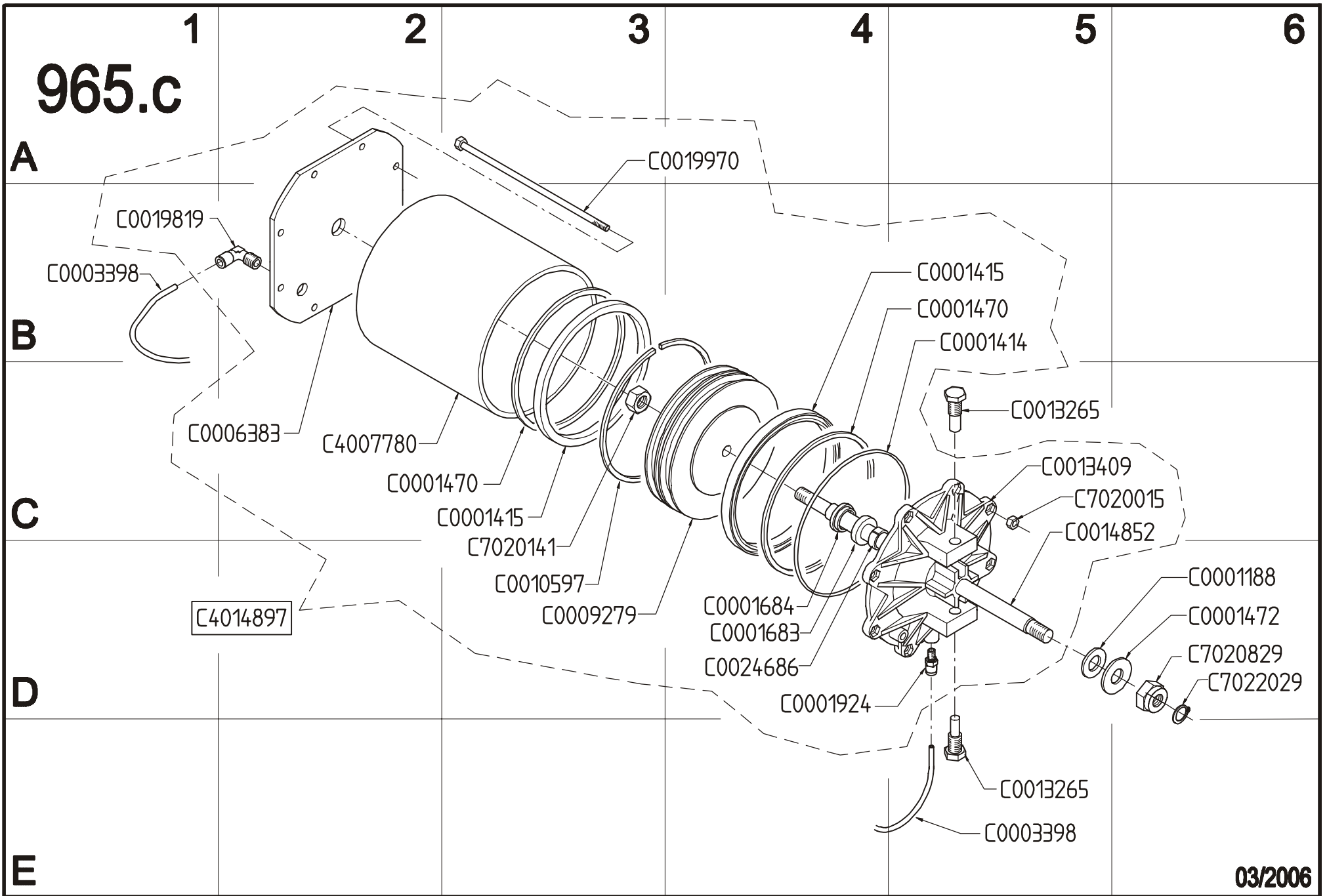




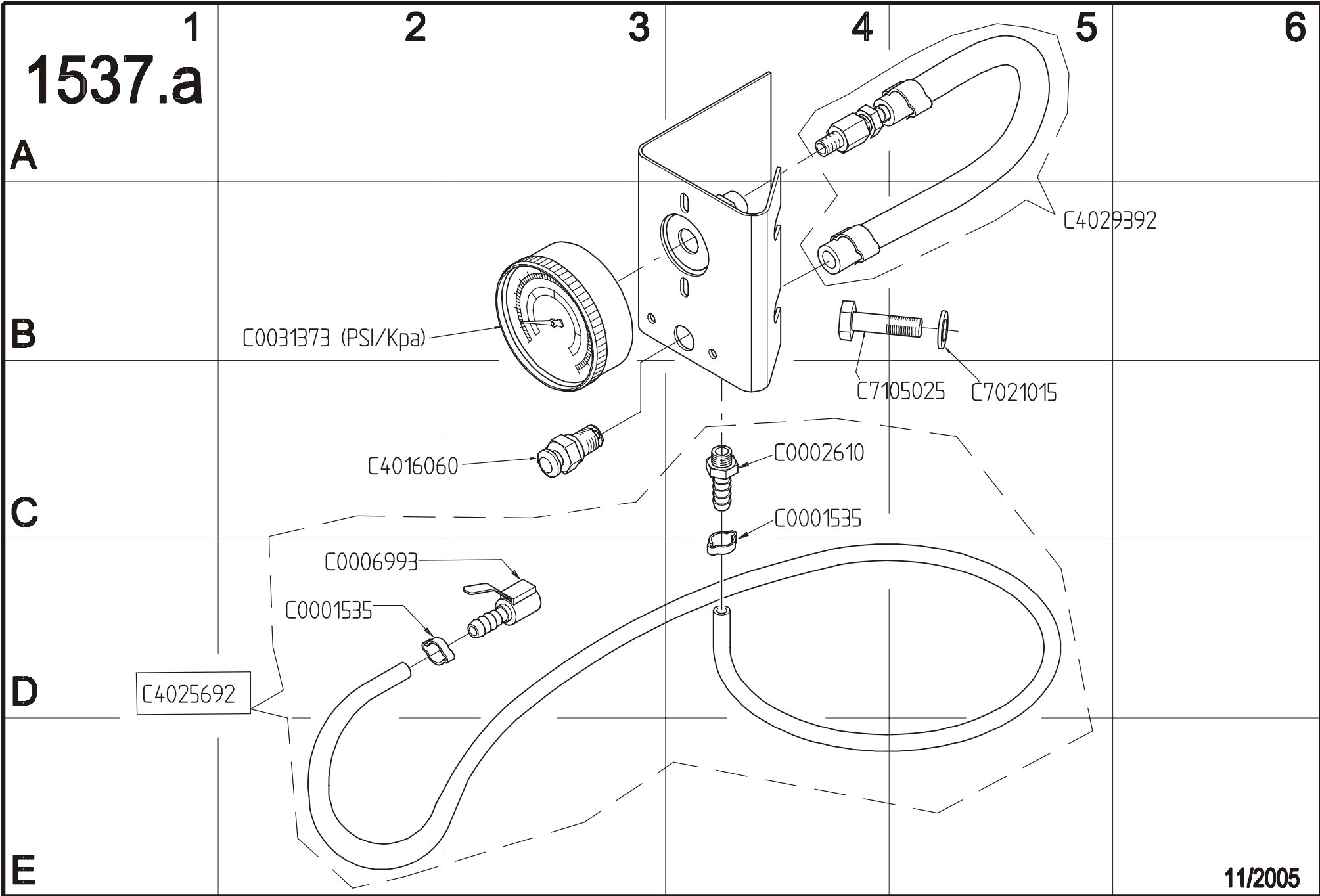
AIR VERSION
C4024366

01/2003

965.c



03/2006



Rev.C March 2003 Code number C0022192 on table 1199 at page 29, has been corrected in C0022129	VARIATIONS FROM Rev.B:	Rev.D June 2004 Table 1118 on page 43 replaced with table 1118.a	VARIATIONS FROM Rev.C:
---	------------------------	---	------------------------

Rev.E October 2004 New list of accessories on page 3 Updating of Fig. 7a and 7b with the relevant text on page 14 Table 1124.a on page 26 replaced with table 1124.b Table 1123.a on page 27 replaced with table 1123.b Table 1122.a on page 28 replaced with table 1122.b Table 1199.a on page 29 replaced with table 1199.b Table 1117 on page 30 replaced with table 1117.a	VARIATIONS FROM Rev. D:	Rev.F March 2005 Table 1123.b at page 27 replaced with table 1123.c Table 1122.b at page 28 replaced with table 1122.c Table 1114 at page 40 replaced with table 1114.a Table 965.a at page 42 replaced with table 965.b Table 1118.a at page 43 replaced with table 1477	VARIATIONS FROM Rev.E:
---	-------------------------	--	------------------------

Rev.G October 2005 Table 1123.c at page 27 replaced with table 1123.d Table 1119.a at page 38 replaced with table 1508.a Table 1026 at page 39 replaced with table 1510 Table 1477 at page 43 replaced with table 1537	VARIATIONS FROM Rev.F:	PCN 05G0170 PCN 05G0094 - 05G0188 PCN 05G0094 PCN 05G0170	Rev.H March 2006 Table 1124.b at page 26 replaced with table 1124.d Table 1122.c at page 28 (forgotten codes has been added) Table 1508 at page 38 replaced with table 1508.a Table 1510 at page 39 replaced with table 1510.a Table 1537 at page 43 replaced with table 1537.a	Variations from Rev.G:	NO PCN NO PCN PCN :05G0188 PCN : 06G0023 PCN : 05G0170
--	------------------------	---	--	------------------------	--

Rev.I July 2006 Table 1123.d at page 27 replaced with table 1123.e Table 965.b at page 42 replaced with table 965.c Table 1508.a at page 38 replaced with table 1508.b Table 1510.a at page 39 replaced with table 1510.b	Variations from Rev.H:	NO PCN PCN : 06G0030 PCN : 06G0031 PCN : 06G0031	Rev.I Juillet 2006 ajournement du dessein ajournement du dessein ajournement du dessein ajournement du dessein	Différences sur version "H" antérieure. 1123.d avec le dessein 965.b avec le dessein 1508.a avec le dessein 1510.a avec le dessein	1123.e 965.c 1508.b 1510.b
---	------------------------	---	--	--	-------------------------------------

Rev.L September 2006 Table 1124.d at page 26 replaced with table 1124.e	Variations from Rev.I:	PCN : 06G0113	Rev.L Septembre 2006 ajournement du dessein	Différences sur version "I" antérieure. 1124.d avec le dessein	1124.e
--	------------------------	---------------	--	---	--------

Rev.M April 2007

Variations from Rev.L:

Rev.M Avril 2007 Différences sur version "L" antérieure.

Table 1124.e at page 26 replaced with table **1124.f**

PCN : 06G0176 PCN : 06G0181

ajournement du dessin 1124.e avec le dessin **1124.f**

We Reserve the right to make engineering changes without notice.



HOFMANN USA

309 Exchange Ave. Conway, AR 72032 Phone 800-251-4500 Fax 501-450-2085

www.hofmann-usa.com

HOFMANN BALANCING TECHNIQUES LTD. CANADA

6500 Millcreek Dr. Mississauga, Ontario L5N 4G4 Phone 800-267-2185 Fax 905-821-2073

www.hofmann.ca

P/N: ZEEWH715A Rev. M 04.07

SOE Digital Code: OM-SP-M-1620-1625 HNA-04-07_ZEEWH715A_RM