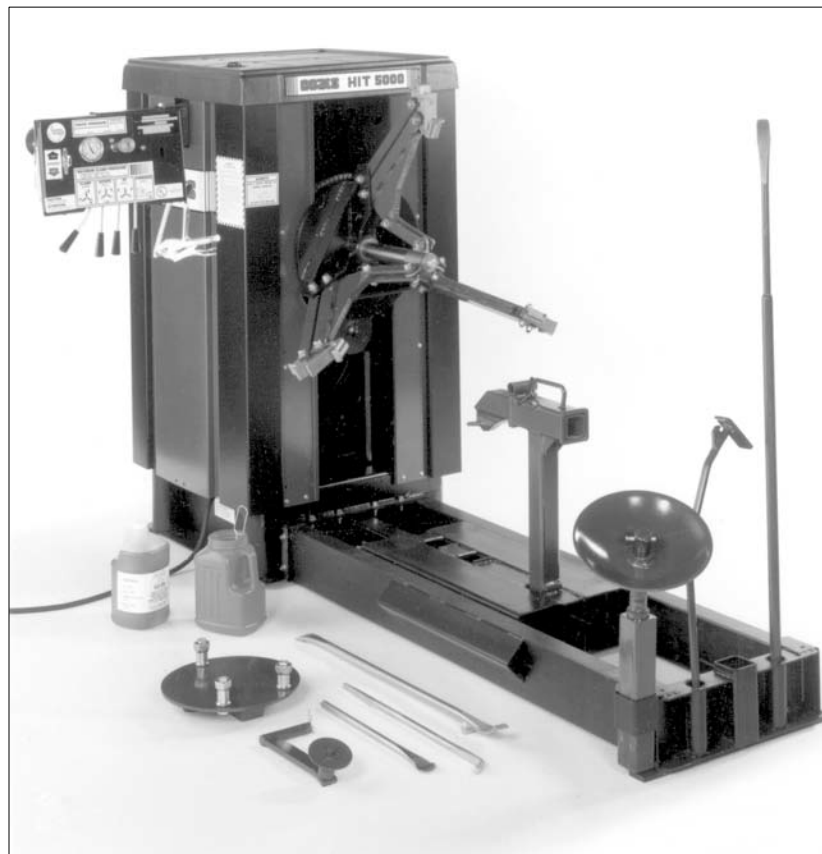


COATS®

H.I.T. 5000

Truck Tire Changer



Parts Identification

READ these instructions before placing unit in service KEEP these and other materials delivered with the unit in a binder near the machine for ease of reference by supervisors and operators.

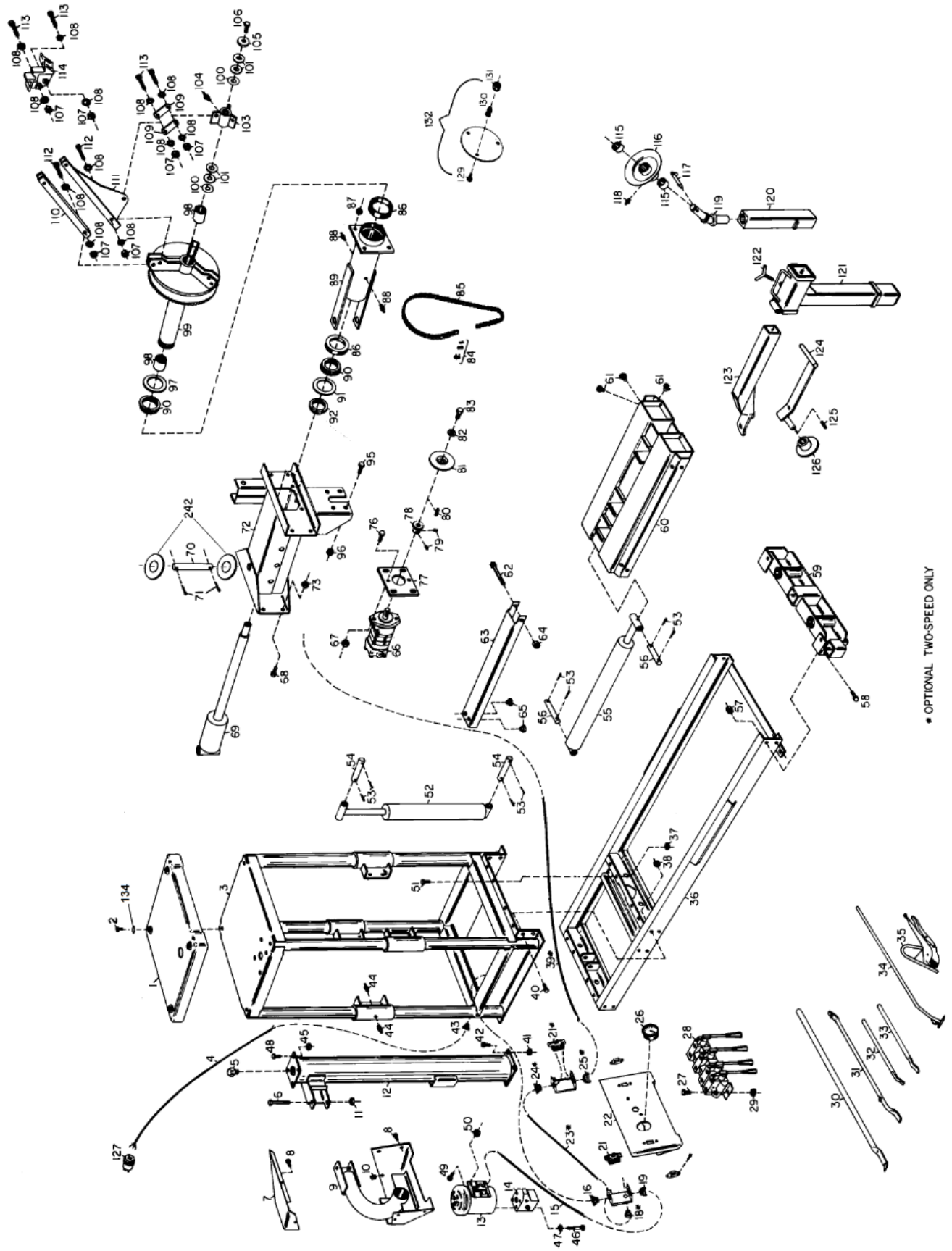
HENNESSY INDUSTRIES, INC.

1601 J. P. Hennessy Drive, LaVergne, TN USA 37086-3565 615/641-7533 800/688-6359

HENNESSY INDUSTRIES INC. Manufacturer of AMMCO®, COATS® and BADA® Automotive Service Equipment and Tools.

Manual Part No.: 7109391 04

Revision: 03/18



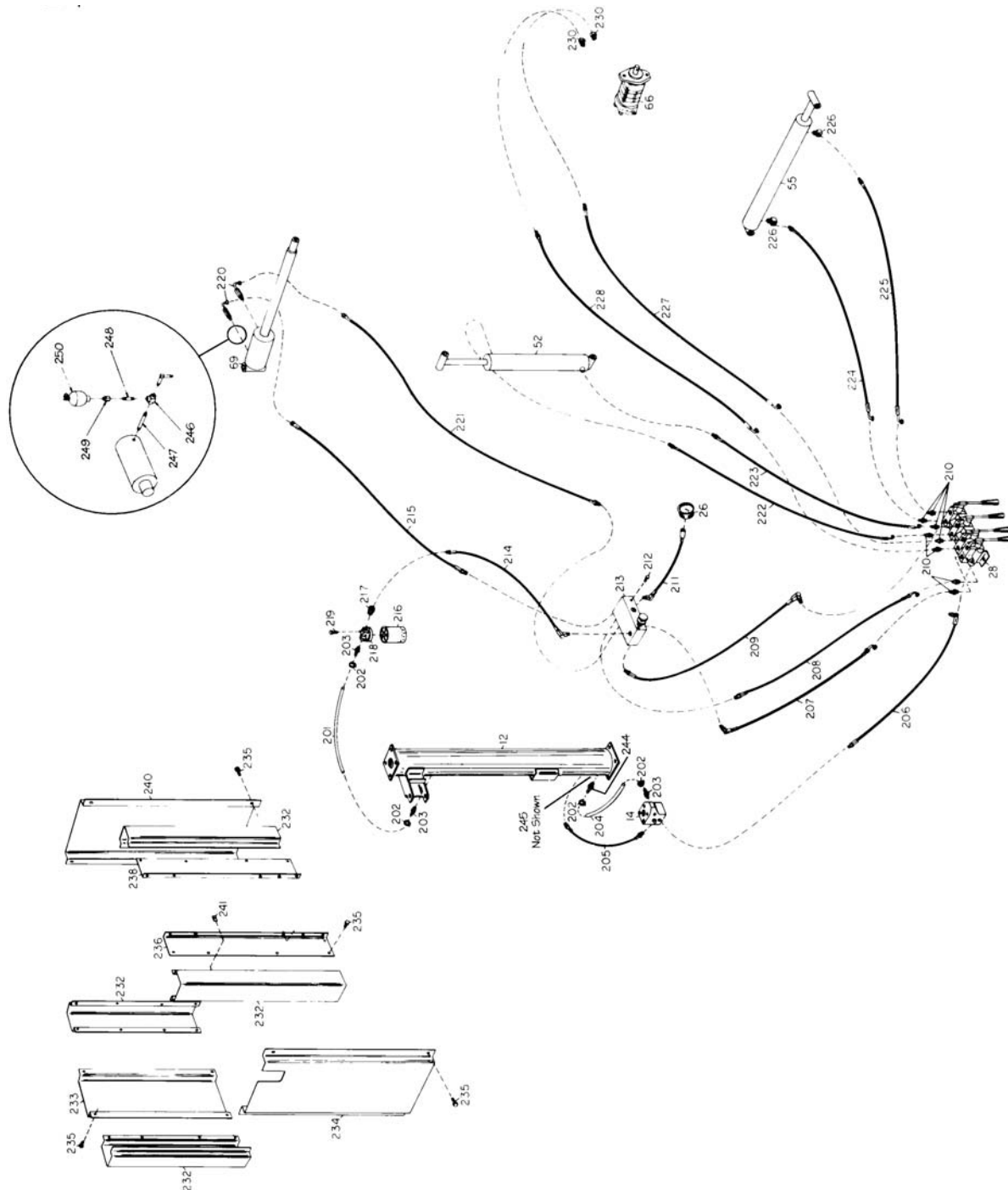
2 • COATS H.I.T. 5000 Truck Tire Changer

Ref Part No.	Description	Ref Part No.	Description	Ref Part No.	Description
1	7109266 Plastic Top	57	8106303 3/8-16 Whiz Lock Nut	117	7109304 Cotterless Pin
2	8106301 1/4" Hex Washer HD Self-Tap Screw	58	7110070 3/8-16 x 1-1/4 Self-Tap Bolt	118	7109348 Grease Fitting
3	7109111 Cage W/C	59	7109118 Front Bulkhead W/C	119	7109235 Disk Shaft W/C
4	7109337 Power Cord 1Ph	60	7111085 Carriage W/C	120	7110850 Disk Tube W/C
4	7109595 Power Cord 3Ph	61	7110208 Carriage Rub Button	121	7110851 Tractor Tire Combo Tee
5	8120292 Breather Cap	62	8143815 3/8 x 3-1/2 HHCS	121	7110849 Combo Tee W/C
6	8109501 1/2-13 x 5-1/2 HHCS	63	7109208 Carriage Cylinder Cover	122	7109285 Locking Handle W/C
7	7109274 Pod Top	64	8106303 3/8-16 UNC Whiz Lock Hex Nut	123	7110837 Combo Tool w/Assembly
8	8106301 1/4" Hex Washer HD Self-Tap Screw	65	8109350 Rub Button	124	7109358 Arm Weldment
9	7109119 Pod W/C	66	7109808 Hydraulic Motor Single-Speed	125	7109359 Spring Pin 3/16 x 1-1/2
10	8143813 1/4" Tinnerman			126	7109360 Roller
11	8301122 1/2-13 Hex Lock Nut	67	8120458 1/2-13 UNC Nylon Hex Nuts	127	8305076 Power Plug 220V, Single Ph
12	7109115 Reservoir W/C	68	8106302 3/8-16 x 7/8 Ser Wash HD Screw	127	7110125 Power Plug 110V, Single Ph
13	85008941 Electric Motor 1 Ph	69	7109122 Clamp Cylinder	129	7109533 3/4-16 x 1-1/4 HHCS
13	85008942 Electric Motor 3 Ph	70	7109280 Pin Chuck Cylinder	130	7109534 Stud
14	7108969 Hydraulic Pump	71	7109744 Hitch Pin	131	7109535 1-1/8-16 Cap Nut
15	7109338 Cord Motor 1 Ph	72	7109147 Torque Box W/C	132	7110853 Budd Wheel Adapter
16	7150128 Cable Connector	73	8106303 3/8-16 Whiz Lock Nut	134	8107635 Washer-Flat, 5/16
18	7150128 Cable Connector				
19	7150128 Cable Connector				
21	7110184 Switch 1 Ph	76	8120063 1/2-13 x 1.75 Whiz Lock Screw		
21	7110184 Switch 3 Ph	77	7109224 Hydraulic Motor Mounting Plate		
22	7109199 Pod Front	78	7109803 Sprocket Small		
23	7109340 Cord - Two-Speed Switch	79	8180217 5/16-18 x 3/8" SHCS Gr5		
24	7150128 Cable Connector	80	7109353 Key		
25	7150128 Cable Connector	81	7109273 Guard Drive Sprocket		
26	7109226 Pressure Gauge	82	8301032 3/8 Flat Washer, Zinc Plate		
27	7109503 Bolt 5/16-3/4" 18 NC	83	8106302 3/8-16 x 7/8 Whiz Lock HHCS Screw		
28	7108977 Hydraulic Control Valve	84	7109806 Master Link		
29	8182178 5/16-18 Whiz Lock Nut, Gr.5	85	7109805 Chain		
30	8120334 Spade Tool	86	7109172 Outer Bearing Race		
31	7109342 Tire Iron Lock Tubeless	87	8301122 1/2-13 UNC Nylon Hex Nuts		
32	7109343 Tire Iron Lock Ring	88	7109348 Grease Fitting		
33	7109344 Tire Iron Drop Center	89	7109173 Bearing Housing W/C		
34	7109345 Bead Starting Tool	90	7109162 Inner Bearing Race		
35	7109346 Vise Grip	91	7109124 Washer Chuck Pivot		
36	8109110 Frame W/C	92	7109131 Spanner Nut		
37	8106303 3/8-16 Whiz Lock Nut	95	8140825 1/2-13 x 1-3/4 Ser Washer HD Screw		
38	8106303 3/8-16 Whiz Lock Nut	96	8301122 1/2-13 UNC Nylon Hex Nuts		
39	7109337 Cord - Two-Speed Motor Block	97	7109124 Washer Chuck Pivot		
40	7110070 3/8-16 x 1-1/4 Self-Tap Bolt	98	7111657 Bushing Sprocket Tube		
41	8106303 3/8-16 Whiz Lock Nut	99	7110127 Chuck-Sprocket Tube W/C		
42	8181137 3/8 x 2-1/4 HHCS	100	7109294 Shim Clamp Spider .015		
43	8150128 Cable Connector	101	7109295 Shim Clamp Spider .030		
44	7109348 Grease Fitting	102			
45	8106303 3/8-16 Whiz Lock Nut	103	7109116 Clamp Actuator w/Assembly		
46	8109349 5/16 x 3-1/4 HHCS	104	7109348 Grease Fitting		
47	8120421 5/16 Lock Washer	105	7109210 Washer Front Clamp Spider		
48	8106302 3/8-16 x 7/8 Ser Wash HD Screw	106	7109357 5/8" x 1 HHCS		
49	7109503 5/16-18x3/4 Screw, Washer Hex Cap	107	8301121 Chuck Washer		
50	8182178 5/16-18x18 Whiz Lock Nut-Hex	109	7108974 Link Cylinder Pivot		
51	7110070 3/8-16 x 1.25 Whiz Lock Screw	110	7108970 Link Clamp		
52	7108966 Vertical Cylinder	111	7109117 Clamp Strut w/Assembly		
53	8103006 Cotter Pin	112	7109307 Bolt Chuck Face		
54	7109276 Pivot Pin Cylinder	113	7109308 Bolt Chuck Claw		
55	7108967 Carriage Cylinder	114	7110829 Jaw Clamp		
56	7109276 Pivot Pin Cylinder	115	8109287 Bushing Disk		
		116	8109288 Disk W/C		

ITEMS NOT SHOWN:

Ref Part No.	Description
133	7110852 Offset Roller
135	7110841 Carriage Lock Pin
136	7110652 Earth Mover Bead Loosener Shaft

Ref Part No.	Description
201	Hose Filter to Reservoir
202	Hose Clamp
203	Fitting
204	Hose Reservoir to Pump
205	Hose Pump Pressure Relief
206	Hose Pump to Valve
207	Clamping Hose Valve (Rear)
208	Clamping Hose Valve (Front)
209	Hose Valve to Chuck Valve
210	Adapter Fitting
211	Hose - Gauge
212	1/4-20 x 3/4 Hex Hd Cap Scr Gr.5
213	Check Valve Block
214	Hose Check Valve Block to Filter
215	Hose Clamp Cylinder Rear
216	Filter Element
217	Reducer
218	Filter Head
219	1/4" Hex Washer HD Self-Tap Screw
220	90° Tube Fitting
221	Hose Clamp Cylinder (Front)
222	Vertical Cylinder Hose Top
223	Vertical Cylinder Hose Bottom
224	Carriage Cylinder Hose (Rear)
225	Carriage Cylinder Hose (Front)
226	90° Fitting
227	Hose Hydraulic Motor
228	Hose Hydraulic Motor
229	Hose Hydraulic Motor to Filter
230	Reducer
231	Two-Speed Motor Block
232	Corner Panel Side
233	Panel Rear
234	Panel Side Operator Side
235	1/4" Hex Washer HD Self-Tap Screw
236	Front Panel Operator Side
239	Front Panel Opposite Operator Side
240	Panel Side Opposite Operator
241	Tinnerman
244	1/2" NPT x 1/2" Hose Fitting
245	3/4 - 1/2" Strainer
246	Hydraulic Tee 1/4" NPT
247	Hydraulic Nipple 1/4" NPT x 4" Lg
248	Hydraulic Nipple 1/4" NPT x 2" Lg
249	Adapter 1/4 NPT/#6 SAE Fig
250	Accumulator



When ordering parts always give the following information:
 (1) Part Number (2) Description (3) Serial Number of Your Machine