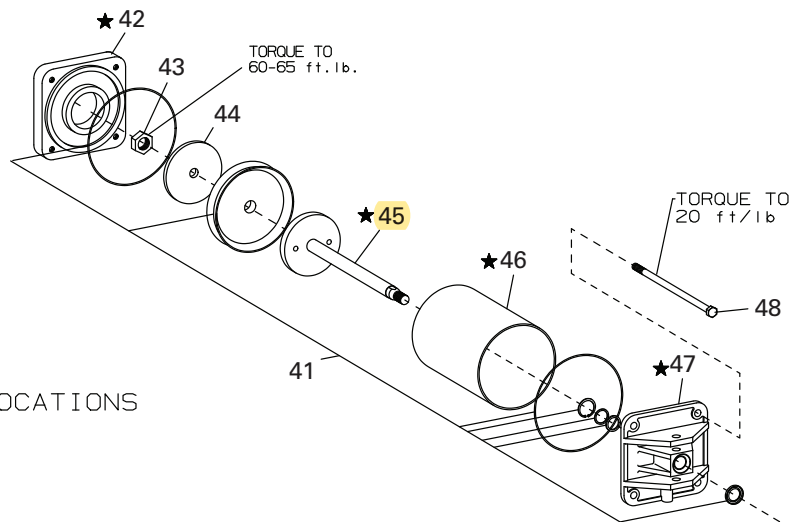
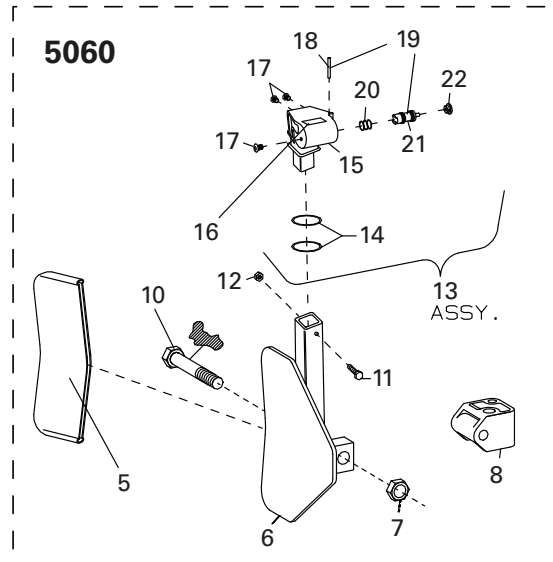
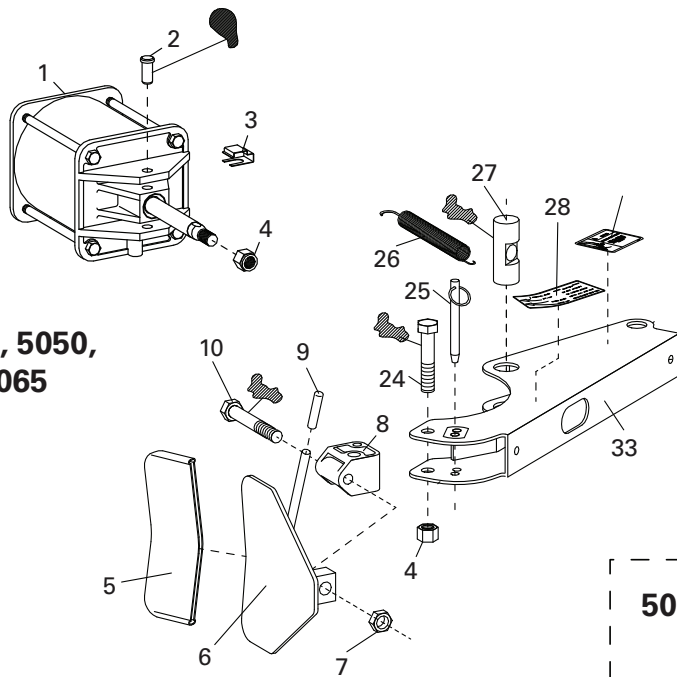


BL Arm Assembly

5040, 5050,
5065



 APPLY GREASE TO THESE LOCATIONS

★ THESE PARTS NOT AVAILABLE FOR SERVICE.

(BL Arm Assembly)

ITEM	PART NO.	DESCRIPTION	ITEM	PART NO.	DESCRIPTION
1	8183312	B.L. Cylinder Assembly w/BL Valve (5040, 5050, 5060)	21	8182317	3-Way Miniature Valve (5060)
	8182014	B.L. Cylinder Assembly (5065)	22	8182047	Manual Push Button (5060)
2	8181949	Clevis Pin-5/8 x 1-3/8	24	8182009	3/4-10 x 3 3/4" HHCS (5040, 5050, 5065)
3	8181912	Clip, Clevis	25	8120326	Hitch Pin, ϕ 1/2"
4	8182016	3/4"-10 Nylon Insert Lock Nut, Gr.5	26	8180230	B.L. Spring
5	8183606	Bootie Kit, Shoe, Pkg of 2	27	8182550	Pivot Pin, B.L. Cylinder Rod
6	8183529	B.L. Shoe, Handle & Pivot W/C (5040, 5050)	28	8181970	Bead Loosener Caution Decal
	8181953	B.L. Shoe, Handle & Pivot W/C (5060, 5065)	29	8182768	Bead Loosener Caution Decal
7	8182043	5/8-11 Nylon Insert Lock Nut Gr.5	33	8182002	B.L. Arm (5040, 5050, 5060)
8	8181951	B.L. Shoe Pivot Bracket		8182816	B.L. Arm (5065)
9	7000230	Rubber Hand Grip, 1/2 (5040, 5050, 5065)	41	8182079	Seal Kit, B.L. Cylinder
10	8182011	5/8-11 x 5" Hex Hd Cap Scr, Gr.5	42	8183310	B.L. Cylinder Bottom Cap (5040, 5050, 5060)
11	8182013	#10-24 x 1-1/2" Gr.5 HHCS (5060)		8181570	B.L. Cylinder Bottom Cap (5065)
12	8181862	10-24 Nylon Insert Lock Nut Gr.5 (5060)	43	8182016	3/4" NC Locknut Gr. 5 (5040, 5050, 5060)
13	8182352	B.L. Handle/Valve Assembly (5060)		8100957	3/4" NC Locknut Gr. 5 (5065)
14	8182321	ϕ 2 x 1/4" Roll Pin O-ring (5060)	44	8181860	B.L. Cylinder Lower Washer
15	8182987	B.L. Handle Housing (5060)	45	8183519	Shaft/Washer Assembly (5040, 5050, 5060)
16	8181971	Decal - B.L. Handle (5060)		8182061	Shaft/Washer Assembly (5065)
17	8182364	#10-32 x 1/4 Gr.5 BHSCS (5060)	46	8181574	B.L. Cylinder Barrel
18	8182319	ϕ 3/32 x 1-1/4" Roll Pin (5060)	47	8183309	B.L. Cylinder Top Cap
19	8182725	Valve & Roll Pin Kit (5060)	48	8181862	Tie Bolt, 1/2-13 x 10-1/4" Lg., Gr.5
20	8182318	Handle Spring-B.L. (5060)			