

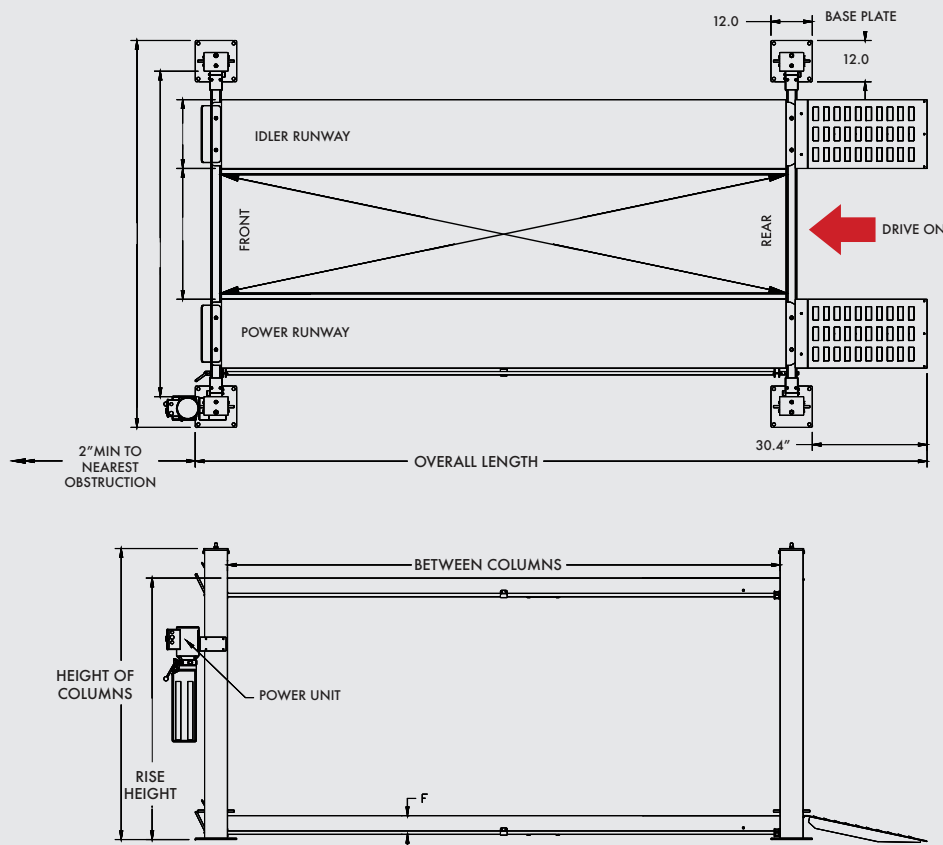


CL4P

SITE SPECIFICATIONS

- **BAY HEIGHT / WIDTH / DEPTH:** See chart below
- **POWER REQ.:** 208-230v, 30-amp breaker or 115v, 20-amp breaker, Single Phase*
- **MIN. CONCRETE SPEC:** 4" thick, reinforced, free from cracks/seams, rated at 3500+ psi, cured at least 28 days

SERVICE BAY LAYOUT



Model Number	CL4P7	CL4P9S	CL4P9X	CL4P9W
Lifting Capacity	7,000 lbs.	9,000 lbs.		
Length Overall	195.5"	209.5"	233.5"	
Width Overall	100.5"	112.25"	112.25"	127.25"
Inside Columns	92.125"	95"		110"
Between Columns	147.5"	160.5"	184.75"	184.75"
Height of Columns	6' 7.5"	7' .5"	8' .5"	
Height of Runways (Floor to top of Runway)	5.75"	7"		
Width of Runways	20"			
Width Between Runways	38"			
Rise Height (Top of Runway at top position)	68.125"	73.25"	85.5"	
Max. Wheelbase*	141.5"	155"	179"	
Crossbeam Clearance Height	63"	68"	80"	
Motor	1HP/2HP			
Voltage (1 Phase Std)	115v/230v			
Speed of Rise (115v/230v)	120/60 s			
Min. Recommended Bay Size	10' x 20'	11' x 22'	14' x 22'	
ALI/ETL Certified	√	√	√	√
Colors Available	■			

*3-phase upgrade is available for purchase

www.challengerlifts.com
1-800-648-5438