

# RJ45W

**BendPak**<sup>®</sup>

## 4-Post Bridge Jacks

SKU# 5175247

4,500-Lb. Capacity, Rolling Bridge Jack, Easy-Roll Wheels

## Lift 4,500 lbs. for Full Wheel Service Capability

BendPak RJ45W rolling bridge jack is designed to hold up to 4,500 lbs. and features easy-to-roll wheels that make sliding simple between the four-post lift runways. Use this 4-post bridge jack with your BendPak HD-9 series four-post car lift for increased versatility and productivity.

## Features

- 4,500-lb. lifting capacity
- Works with HD-7 series, HD-9 series, and GP-9 series
- Easy-roll wheels
- Rubber contact pads
- Stackable adapters
- High-pressure hydraulic power unit

## Specifications

**Lifting capacity** 4,500 lbs. (2,041 kg)

**Suitable Lift Model(s)** HD-7 Series, HD-9 Series, GP-9 Series

### Min. Drive-Over Height\*

**Pad Only:** 4.5" (114 mm)

**Pad + 2.75" Adapter:** 7.25" (184 mm)

**Pad + 5.5" Adapter:** 10" (254 mm)

### Max. Lifting Height\*

**Pad Only:** 15.5" (394 mm)

**Pad + 2.75" Adapter:** 18.25" (464 mm)

**Pad + 5.5" Adapter:** 21" (533 mm)

### Reach

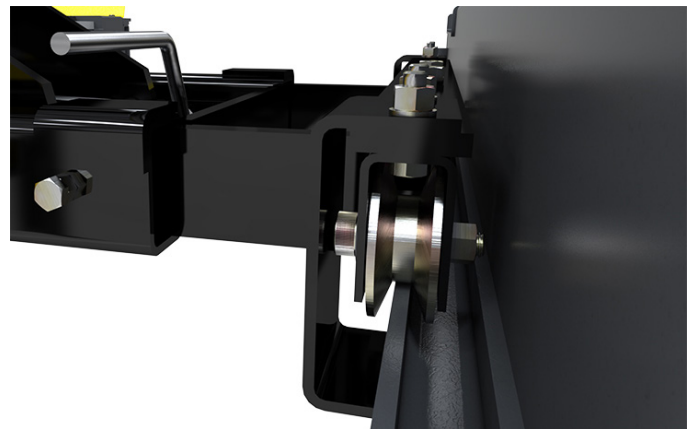
**Support Base Width:** 35.5" (902 mm) - 46.5" (1,181 mm)

**Max. Arm Reach:** 57" (1,448 mm)

**Min. Arm Reach:** 42" (1,067 mm)

**Shipping Weight:** 380 lbs. (172 kg)

**Shipping Dimensions:** 41.25" x 25" x 13" (1,048 mm x 635 mm x 330 mm)



## Bridge Jack Series

SKU#	Model	Description
5175579	RJ45LP	4,500-lb Capacity
5175247	RJ45W	4,500-lb Capacity
5175248	RJ6W	6,000-lb Capacity
5175249	RJ7W	7,000-lb Capacity
5175252	RJ9W	9,000-lb Capacity
5175031	RBJ15000	15,000-lb Capacity
5175032	RBJ18000	18,000-lb Capacity
5175033	RBJ25000	25,000-lb Capacity

\* Dimensions listed are taken from the upper surface of the suitable four-post lift runway.

**Note: air-hydraulic pump requires 125 psi and 10-20 CFM.**