

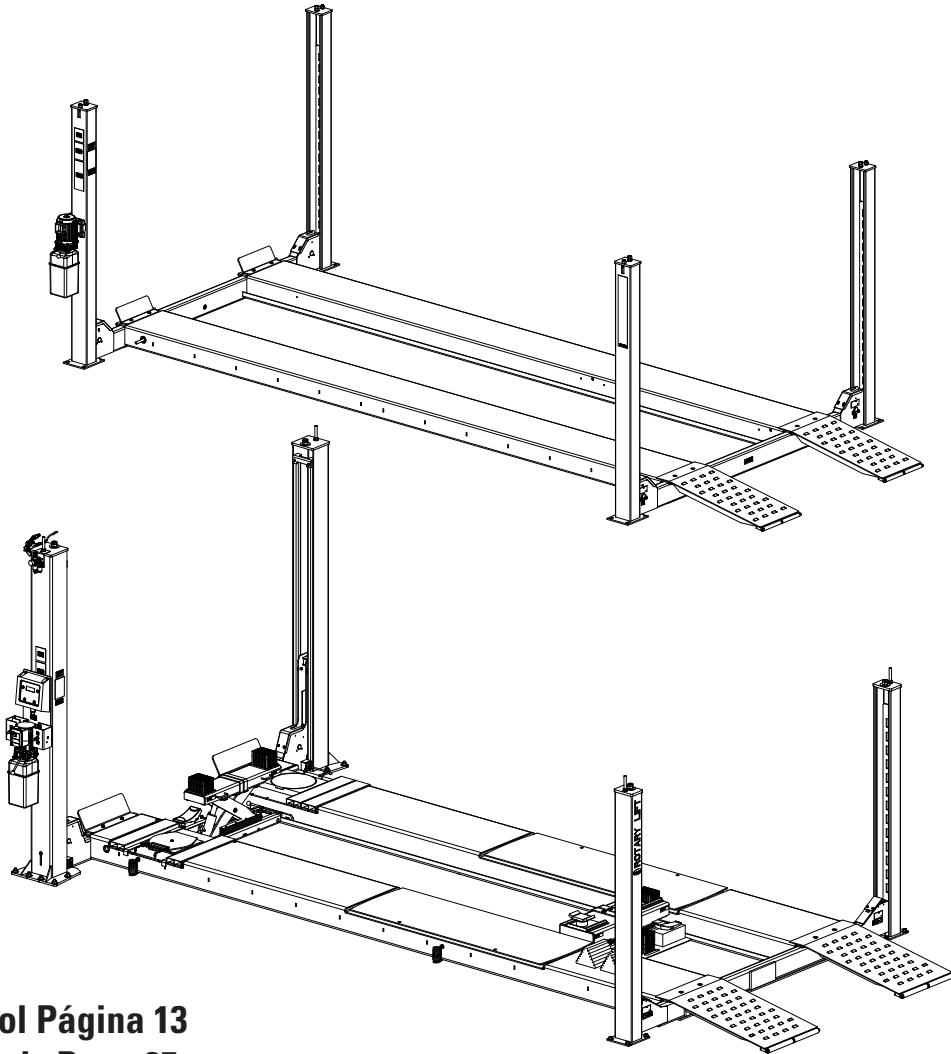


# AR14/SM14/ARO14/SM014

(100 Series) Four Post Surface Mounted Lift  
Capacity 14,000 lb. (6,350 kg.) (7,000 lbs. (3,175 kg.) per axle)

# ARO20

(000 Series) Four Post Surface Mounted Lift  
Capacity 20,000 lb. (9,072 kg.)



**Español Página 13**  
**Français Page 25**

### TABLE OF CONTENTS:

Owner/Employer Responsibilities .....	2
Safety Instructions.....	3
Operating Instructions .....	4
Maintenance Instructions .....	5
Trouble Shooting .....	6
Lift Lockout/Tagout Procedure .....	7
Operating Conditions.....	12
Approved Accessories.....	12

LP20610/LP20618

## The Owner/Employer:

- The Owner/Employer shall ensure that lift operators are qualified and that they are trained in the safe use and operation of the lift using the manufacturer's operating instructions; ALI/SM 10-1, ALI Lifting it Right safety manual; ALI-ST-10 ALI Safety Tips card; ANSI/ALI ALOIM-2008, American National Standard for Automotive Lifts-Safety Requirements for Operation, Inspection and Maintenance; ALI/WL Series, ALI Uniform Warning Label Decals/Placards; and in the case of frame engaging lifts, ALI/LP-GUIDE, Vehicle Lifting Points/Quick Reference Guide for Frame Engaging Lifts.
- The Owner/Employer shall establish procedures to periodically inspect the lift in accordance with the lift manufacturer's instructions or ANSI/ALI ALOIM-2008, American National Standard for Automotive Lifts-Safety Requirements for Operation, Inspection and Maintenance; and The Employer Shall ensure that lift inspectors are qualified and that they are adequately trained in the inspection of the lift.
- The Owner/Employer shall establish procedures to periodically maintain the lift in accordance with the lift manufacturer's instructions or ANSI/ALI ALOIM-2008, American National Standard for Automotive Lifts-Safety Requirements for Operation, Inspection and Maintenance; and The Employer Shall ensure that lift maintenance personnel are qualified and that they are adequately trained in the maintenance of the lift.
- The Owner/Employer shall maintain the periodic inspection and maintenance records recommended by the manufacturer or ANSI/ALI ALOIM-2008, American National Standard for Automotive Lifts-Safety Requirements for Operation, Inspection and Maintenance.
- The Owner/Employer shall display the lift manufacturer's operating instructions; ALI/SM 10-1, ALI Lifting it Right safety manual; ALI-ST-10 ALI Safety Tips card; ANSI/ALI ALOIM-2008, American National Standard for Automotive Lifts-Safety Requirements for Operation, Inspection and Maintenance; and in the case of frame engaging lifts, ALI/LP-GUIDE, Vehicle Lifting Points/Quick Reference Guide for Frame Engaging Lifts; in a conspicuous location in the lift area convenient to the operator.
- The Owner/Employer shall provide necessary lockout/tagout means for energy sources per ANSI Z244.1-1982 (R1993), Safety Requirements for the Lockout/Tagout of Energy Sources, before beginning any lift repairs.
- The Owner/Employer shall not modify the lift in any manner without the prior written consent of the manufacturer.

# SAFETY INSTRUCTIONS

- **Never** allow unauthorized or untrained persons to operate lift or rolling jacks.
- **Shop** Policy should prohibit customers or non-authorized persons from being in shop area while lift is in use.
- **Thoroughly** train all employees in the use and care of lift and rolling jacks.
- **Be Sure** no one is standing in front or behind lift while vehicle is being driven onto or backed off the lift.
- **DO NOT** allow rear tires or portion of vehicle to interfere with ramp/chocks.
- **Be Sure** front wheel stops are in raised position before driving vehicle onto lift.
- **Never** allow front wheels to strike the front wheel stops.
- **DO NOT** permit employees or customers on lift when it is either being raised or lowered.
- **Always** stand clear of lift when raising or lowering and observe “Pinch Points” Warning.
- **Never** overload lift:  
**AR14/SM14/ARO14/SM014** capacity of lift is 14,000 lbs. (6,350 kg.) (7,000 lbs. (3,175 kg.) per axle). CAPACITY SHOULD NOT BE EXCEEDED.  
**ARO20** capacity of lift is 20,000 lbs. (9,072 kg.). CAPACITY SHOULD NOT BE EXCEEDED.
- **Always** engage parking brake and use the rear wheel chocks to keep the vehicle from rolling freely on the runways.
- **Always** lower lift on locks before working on vehicle.
- **Keep** area around lift clean of tools, debris, grease, and oil.
- **Always** keep runway clean.
- **Replace** all caution, warning, or safety related decals on the lift when unable to read or missing.
- **For Rolling Jack Safety Instructions** see Rolling Jack Installation, Operation and Maintenance Instructions in the rolling jack box.
- **Never** use work step while lift is in a raised position.

# OPERATING INSTRUCTIONS

**⚠️ WARNING** To avoid personal injury and/or property damage, permit only trained personnel to operate lift.

After reviewing these instructions, get familiar with lift controls by running the lift through a few cycles before loading vehicle on lift.

Observe and heed SAFETY and WARNING labels on the lift.

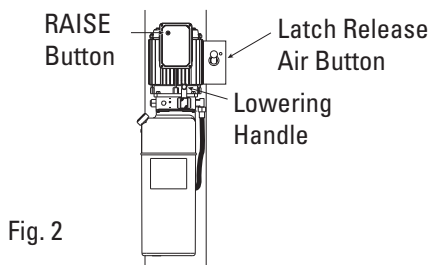
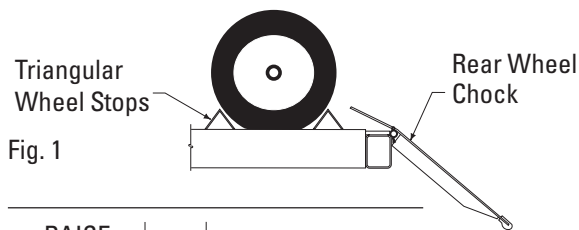
**Note:** **AR14/SM14/AR014/SM014 EL2** model was designed for 131" (332.8 cm) or longer wheelbase at the rated 14,000 lb. (6,350 kg.) capacity.

**AR020 EL** model was designed for 94" (238.8 cm) or longer wheelbase at the rated 20,000 lb. (9,072 kg.) capacity.

1. Loading: Lift must be fully lowered and no one in service bay while the vehicle is brought on lift.
2. If lift is equipped with rolling jacks, jacks must be fully lowered and the rear jack pushed toward center of lift to provide under car clearance.

**⚠️ WARNING** Engage runway locks before raising vehicle on jacks! **DO NOT** operate lift while jacks are engaged with a vehicle!

3. Stop vehicle when it contacts the front wheel stops. At all times, be sure rear wheels are forward of the ramp/chocks and the ramp/chocks will clear tires when the lift is raised, Fig. 1. Driver and passengers must exit before raising.
4. Place triangular wheel chocks on each side of one of the rear tires, Fig. 1.
5. To Raise Lift: Push the "RAISE" button on the power unit. Release button at desired height, Fig. 2.
6. For Rolling Jack Operating Instructions see Rolling Jack Installation, Operation and Maintenance Instructions in the rolling jack shipping carton.
7. Before Lowering Lift: Be sure no one is in the lift area and that all tools, tool trays, etc. have been removed from under the lift and vehicle.



**⚠️ WARNING** The runways, ramps and connecting yokes at each end of lift are designed to rest on the floor when fully lowered. Observe pinch point warning decals, Fig. 3.

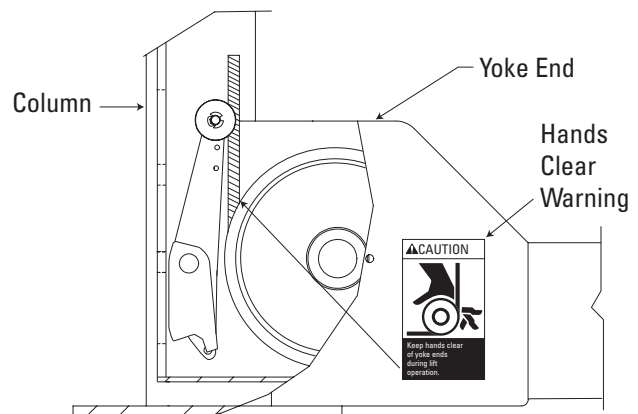
8. Repeat Step 2.
9. To Lower Lift: If lift has been resting on the locking latches, lift must be raised high enough for all four latches to clear the latch plate slots inside the columns.
10. Actuate the latch release valve on the power unit column to disengage all four locking latches, Fig. 2. Hold actuator until lift has fully lowered.

**Note:** If actuator on air valve is released, the latches will automatically reset to the engaged position.

11. Push the lowering handle on the power unit to lower lift, Fig. 2. Lowering speed can be controlled by the force applied to the lowering handle.
12. Observe lift and vehicle to be sure lift is level while being lowered. If not, **STOP** repeat Steps 10 through 13.
13. Fully lower lift, remove the triangular wheel chocks and check to be sure area is clear before removing vehicle from lift, Fig. 1.
14. If your lift is not operating properly, **DO NOT** use until adjustments or repairs have been made by qualified lift service personnel.

**⚠️ WARNING** Keep hands clear of yoke ends while the lift is being raised or lowered, Fig. 3.

\*Maximum operation pressure is:  
 2755 psi (18995 kPa) for AR14  
 2973 psi (20498 kPa) for AR014  
 2538 psi (17499 kPa) for SM14  
 2973 psi (20498 kPa) for SM014  
 3000 psi (20684 kPa) for AR020



# MAINTENANCE INSTRUCTION

**⚠ WARNING** If you are not completely familiar with automotive lift maintenance procedures, **STOP**. Contact factory for instructions.

**To Avoid Personal Injury**, permit only qualified lift service personnel to perform maintenance on this equipment.

- **Periodically:** Check all column, lift/runway attaching bolts for tightness.
- **Always** raise lift when cleaning floor area with solvents and/or cleaning compounds.
- **Always** keep runways and linkages clean. In salt belt or other corrosive environments, the lift must be washed down weekly.
- **Always:** Replace slack cable device springs when replacing new cables.
- **Never:** Grease rollers or pins on open yoke lifts.
- **Daily:** Check cables and sheaves for wear. Observe for frayed cable strands. Wipe cables with a rag to detect hard to see small broken cable strands. Replace cables showing any broken strands. Replace worn parts as required with genuine Rotary parts.
- **Daily:** Inspect front wheel stops and ramp/chocks for damage or excessive wear. Replace as required with genuine Rotary parts.
- **Daily:** Check locking latch operation and reset. Adjust per instructions or repair if required with genuine Rotary parts.
- **Weekly:** Clean foreign debris from rear wheel slip plates and turning radius gauges by blowing out with shop air. **DO NOT GREASE BALL BEARINGS.**
- **Weekly:** Check torque on the column anchor bolts per specifications.
- **Monthly:** Clean wire rope cables with lift in both lowered and raised position by spraying with penetrating oil and wiping the cable down.
- **Monthly:** Check cables for wear. Refer to 4-Post Inspection and Maintenance Guide for wear inspection information.
- **Monthly:** Check level of runway. Adjust per instructions.
- **Monthly:** Lubricate Guide on each turning radius with a dry film lubricant. Clean and lubricate more often as conditions warrant.
- **Semi-Annually:** Check fluid level of lift power unit and refill if required. If fluid is required, inspect all fittings, hoses and seals. Repair as required.
- **Semi-Annually:** Lubricate front wheel stop and ramp/ chock hinge pins.

**IMPORTANT** Cable adjustment should be checked by a Rotary Authorized Installer after the first 50 loaded lift cycles and after 300 loaded lift cycles.

• **For Rolling Jack Maintenance Instructions** see Rolling Jack Installation, Operation and Maintenance Instructions in the rolling jack box.

# TROUBLE SHOOTING

Trouble	Cause	Remedy
Motor does not run.	<ol style="list-style-type: none"> <li>1. Check fuse or circuit breaker.</li> <li>2. Check for correct voltage to motor.</li> <li>3. Inspect all wiring connections.</li> <li>4. Switch burned out.</li> <li>5. Motor windings burned out.</li> </ol>	<ol style="list-style-type: none"> <li>1. Replace blown fuse or reset circuit breaker.</li> <li>2. Supply correct voltage to motor.</li> <li>3. Repair and insulate all connections.</li> <li>4. Replace switch.</li> <li>5. Replace motor.</li> </ol>
Motor runs but will not raise lift.	<ol style="list-style-type: none"> <li>1. Open lowering valve.</li> <li>2. Pump sucking air.</li> <li>3. Suction stub off pump.</li> <li>4. Low fluid level.</li> </ol>	<ol style="list-style-type: none"> <li>1. Repair or replace lowering valve.</li> <li>2. Tighten all suction line fittings.</li> <li>3. Replace suction stub.</li> <li>4. Fill tank with Dexron III ATF.</li> </ol>
Motor runs—raises unloaded lift but will not raise vehicle.	<ol style="list-style-type: none"> <li>1. Motor running on low voltage.</li> <li>2. Trash in lowering valve.</li> <li>3. Improper relief valve adjustment.</li> <li>4. Overloading lift.</li> </ol>	<ol style="list-style-type: none"> <li>1. Supply correct voltage to motor.</li> <li>2. Clean lowering valve.</li> <li>3. Replace relief valve cartridge.</li> <li>4. Check vehicle weight and/or balance vehicle weight on lifts.</li> </ol>
Lift slowly settles down.	<ol style="list-style-type: none"> <li>1. Trash in check valve seat.</li> <li>2. Trash in lowering valve seat.</li> <li>3. External fluid leaks.</li> </ol>	<ol style="list-style-type: none"> <li>1. Clean check valve.</li> <li>2. Clean lowering valve.</li> <li>3. Repair external leaks.</li> </ol>
Slow lifting speed or fluid blowing out filler breather cap.	<ol style="list-style-type: none"> <li>1. Air mixed with fluid.</li> <li>2. Air mixed with fluid suction.</li> <li>3. Fluid return tube loose.</li> </ol>	<ol style="list-style-type: none"> <li>1. Change hydraulic fluid to Dexron III ATF.</li> <li>2. Tighten all suction line fittings.</li> <li>3. Reinstall fluid return tube.</li> </ol>
Lift going up unlevel.	<ol style="list-style-type: none"> <li>1. Cables out of adjustment.</li> <li>2. Lift installed on unlevel floor.</li> </ol>	<ol style="list-style-type: none"> <li>1. Adjust slack out of cable.</li> <li>2. Shim lift to level columns (Not to exceed <math>\frac{1}{2}</math>" (13mm) per column).</li> </ol> <p>Note: Shim thickness of 2" (51mm) is possible by using optional shim kit #FC5393. Contact your authorized Rotary Parts Distributor for ordering information.</p>
Lift stops short of full rise or chatters.	<ol style="list-style-type: none"> <li>1. Low on fluid.</li> </ol>	<ol style="list-style-type: none"> <li>1. Check fluid level and bleed cylinder. If fluid is required inspect all fittings, hoses, and seals. Repair as required. Clean power unit pickup stub filter.</li> </ol>
Anchors will not stay tight.	<ol style="list-style-type: none"> <li>1. Holes drilled oversize.</li> <li>2. Concrete floor thickness or holding strength not sufficient.</li> </ol>	<ol style="list-style-type: none"> <li>1. Use a fast setting cement to pour into oversize holes and reset anchors -or- relocate lift using a new bit to drill holes.</li> <li>2. Break out old concrete and repour new pads for lift.</li> </ol>
Lift will not lower.	<ol style="list-style-type: none"> <li>1. Insufficient air supply to lift.</li> <li>2. Latches out of adjustment.</li> </ol>	<ol style="list-style-type: none"> <li>1. Check air pressure. Air supply to lift should be between: min. 100 p.s.i. and max. 120 p.s.i. (min. 690 kPa and max. 827 kPa). Check all lines and fittings for leaks or crimps. Repair or replace as required.</li> <li>2. Check latches.</li> </ol>

# TROUBLE SHOOTING

<b>Trouble</b>	<b>Cause</b>	<b>Remedy</b>
Lift will not raise off of latches.	1. Motor, pump, or cylinder failure.	1. Contact lift manufacturer's Customer Service.

# LIFT LOCKOUT/TAGOUT PROCEDURE

## Purpose

This procedure establishes the minimum requirements for the lockout of energy that could cause injury to personnel by the operation of lifts in need of repair or being serviced. All employees shall comply with this procedure.

## Responsibility

The responsibility for assuring that this procedure is followed is binding upon all employees and service personnel from outside service companies (i.e., Authorized Rotary Installers, contactors, etc.). All employees shall be instructed in the safety significance of the lockout procedure by the facility owner/manager. Each new or transferred employee along with visiting outside service personnel shall be instructed by the owner/manager (or assigned designee) in the purpose and use of the lockout procedure.

## Preparation

Employees authorized to perform lockout shall ensure that the appropriate energy isolating device (i.e., circuit breaker, fuse, disconnect, etc.) is identified for the lift being locked out. Other such devices for other equipment may be located in close proximity of the appropriate energy isolating device. If the identity of the device is in question, see the shop supervisor for resolution. Assure that proper authorization is received prior to performing the lockout procedure.

## Sequence of Lockout Procedure

- 1) Notify all affected employees that a lockout is being performed and the reason for it.
- 2) Unload the subject lift. Shut it down and assure the disconnect switch is "OFF" if one is provided on the lift.
- 3) The authorized lockout person operates the main energy isolation device removing power to the subject lift.
  - If this is a lockable device, the authorized lockout person places the assigned padlock on the device to prevent its unintentional reactivation. An appropriate tag is applied stating the person's name, at least 3" x 6" (76mm x 152mm) in size, an easily noticeable color, and states not to operate device or remove tag.
  - If this device is a non-lockable circuit breaker or fuse, replace with a "dummy" device and tag it appropriately as mentioned above.
- 4) Attempt to operate lift to assure the lockout is working. Be sure to return any switches to the "OFF" position.
- 5) The equipment is now locked out and ready for the required maintenance or service.

## Restoring Equipment to Service

- 1) Assure the work on the lift is complete and the area is clear of tools, vehicles, and personnel.
- 2) At this point, the authorized person can remove the lock (or dummy circuit breaker or fuse) & tag and activate the energy isolating device so that the lift may again be placed into operation.

## Rules for Using Lockout Procedure

Use the Lockout Procedure whenever the lift is being repaired or serviced, waiting for repair when current operation could cause possible injury to personnel, or for any other situation when unintentional operation could injure personnel. No attempt shall be made to operate the lift when the energy isolating device is locked out.



Notes:

Notes:

Notes:

# OPERATING CONDITIONS

Lift is not intended for outdoor use and has an operating ambient temperature range of 41°-104°F (5°-40°C).

Installer: Please return this booklet to literature package and

## GIVE TO LIFT OWNER/OPERATOR.

Trained Operators and Regular Maintenance Ensures  
Satisfactory Performance of Your Rotary Lift.

Contact Your Nearest Authorized Rotary Parts Distributor for Genuine Rotary Replacement Parts. See  
Literature Package for Parts Breakdown.

#### Rotary World Headquarters

2700 Lanier Drive  
Madison, IN 47250, USA  
www.rotarylif.com

#### North America Contact Information

Tech. Support:  
p 800.445.5438  
f 800.578.5438  
e userlink@rotarylif.com  
Sales:  
p 800.640.5438  
f 800.578.5438  
e userlink@rotarylif.com

#### World Wide Contact Information

World Headquarters/USA: 1.812.273.1622  
Canada: 1.905.812.9920  
European Headquarters/Germany: +49.771.9233.0  
United Kingdom: +44.178.747.7711  
Australasia: +60.3.7660.0285  
Latin America / Caribbean: +54.3488.431.608  
Middle East / Northern Africa: +49.771.9233.0

#### © Vehicle Service Group<sup>SM</sup>

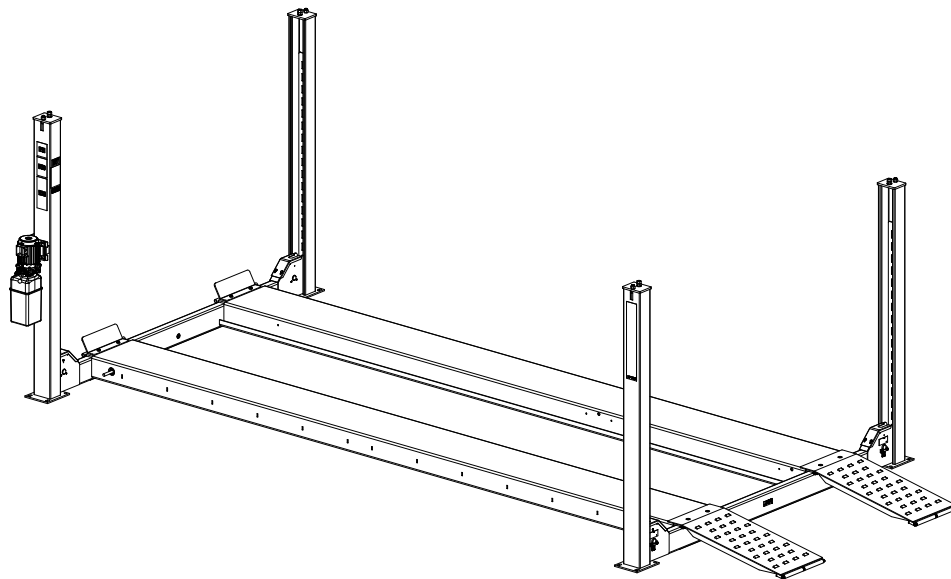
Printed in U.S.A., All Rights Reserved. Unless otherwise indicated, ROTARY, and all other trademarks are property of Dover Corporation and its affiliates.





# AR14/SM14/AR014/SM014

Elevador de montaje superficial de cuatro columnas (Serie 100)  
14000 (6,350 kg.) libras Capacidad  
(7000 (3,175 kg.) libras por eje)



## ÍNDICE:

Responsabilidades del propietario/empleador.....	2
Instrucciones de Seguridad.....	3
Instrucciones operativas.....	4
Instrucciones de mantenimiento .....	5
Solución de problemas .....	6
Procedimiento de bloqueo/etiquetado.....	7
Condiciones de Operación .....	12
Accesorios aprobados.....	12

LP20610/LP20618

## El Propietario/Empleador:

- El Propietario/Empleador deberá asegurar que los operadores del elevador estén calificados y que sean capacitados en el uso y la operación seguros del elevador, utilizando las instrucciones de operación del fabricante; ALI/SM 10-1, Manual de seguridad Cómo utilizar el elevador correctamente; ALI-ST-10 ALI Tarjeta de Consejos de Seguridad; ANSI/ALI ALOIM-2008, Estándar Nacional Americano para Elevadores Automotrices- Requisitos de Seguridad para la Operación, Inspección y Mantenimiento; Series ALI/WL, Calcomanías/Placas Uniformes de Precaución ALI; y, en el caso de los elevadores de soporte en marco, la GUÍA ALI/ LP, Puntos de Elevación del Vehículo /Guía Rápida de Referencia para Elevadores de Soportes en Marco.
- El Propietario/Empleador establecerá procedimientos para inspeccionar periódicamente el elevador de acuerdo con las instrucciones del fabricante del elevador o con ANSI/ALI ALOIM-2008, Normas Nacionales Americanas para los Requerimientos de Seguridad para la Operación, Inspección y Mantenimiento de Elevadores de Automóviles; y el Empleador garantizará que los inspectores de los elevadores estén calificados y que estén adecuadamente capacitados en la inspección del elevador.
- El Propietario/Empleador establecerá procedimientos para darle mantenimiento periódicamente el elevador de acuerdo con las instrucciones del fabricante del elevador o con ANSI/ALI ALOIM-2008, Normas Nacionales Americanas para los Requerimientos de Seguridad para la Operación, Inspección y Mantenimiento de Elevadores de Automóviles; y el Empleador garantizará que el personal de mantenimiento de los elevadores esté calificado y que esté adecuadamente capacitado en el mantenimiento del elevador.
- El Propietario/Empleador debe llevar los registros de la verificación y el mantenimiento periódicos que realice, según lo recomendado por el ANSI/ALI ALOIM-2008, Estándar Nacional Americano para Elevadores Automotrices- Requisitos de Seguridad para la Operación, Inspección y Mantenimiento.
- El Propietario/Empleador debe poner a la vista y ubicado en un lugar conveniente para los operadores, las instrucciones de operación del fabricante; ALI/SM 10-1, Manual de seguridad Cómo utilizar el elevador correctamente ALI; Tarjeta de Consejos de Seguridad ALI/ST-10 ALI; ANSI/ALI ALOIM-2008, Estándar Nacional Americano para Elevadores Automotrices- Requisitos de Seguridad para la Operación, Inspección y Mantenimiento; y, en el caso de los Elevadores de Soportes en Marco, la GUÍA ALI/ LP, Puntos de Elevación del Vehículo / Guía Rápida de Referencia para Elevadores de Soportes en Marco.
- El Propietario/Empleador debe proveer los medios para realizar el bloqueo/etiquetado de las fuentes de energía, antes de comenzar las reparaciones del elevador, de acuerdo al ANSI Z244.1-1982 (R1993), Requerimientos de Seguridad para el Bloqueo/ Etiquetado de Fuentes de Energía.
- El Propietario/Empleador no debe modificar el elevador de alguna manera sin el consentimiento previo y por escrito del fabricante.

# INSTRUCCIONES DE SEGURIDAD

- **Nunca** permita que personas no autorizadas o no capacitadas operen el elevador o el gato.
- La Política del **Comercio** debe incluir la prohibición para que los clientes o personal no autorizado permanezca en el área mientras el elevador está en uso.
- **Capacite** de manera rigurosa a todos los empleados en el uso y cuidado del elevador y de los gatos.
- **Asegúrese** de que nadie se encuentre delante o detrás del elevador en el momento en que se esté subiendo o bajando el vehículo del elevador.
- **NO** permita que los neumáticos traseros o parte del vehículo interfiera con la rampa/cuñas.
- **Asegúrese** que los frenos de las ruedas delanteras están en posición elevada antes de colocar el vehículo sobre el elevador.
- **No** permita que las ruedas delanteras golpeen los frenos de las ruedas delanteras.
- **NO** permita que los empleados o clientes permanezcan sobre el elevador mientras éste asciende o desciende.
- **Manténgase** alejado del elevador cuando esté subiendo o bajando y respete las advertencias de Puntos de pellizco.
- **Nunca** sobrecargue el elevador: la capacidad del elevador es de 14,000 libras. (7,000 libras por eje). **NO EXCEDA ESTA CAPACIDAD.**
- Coloque **siempre** el freno de mano y utilice el freno para las ruedas delanteras para evitar que el vehículo se deslice libremente sobre los carriles.
- **Siempre** descienda el elevador hasta los seguros antes de comenzar a trabajar en el vehículo.
- **Mantenga** el área que rodea el elevador libre de herramientas, escombros, grasa y aceite.
- **Siempre** mantenga los carriles libres.
- **Reemplace** las calcomanías de precaución, cuidado o seguridad cuando éstas no sean legibles o se hayan perdido.
- **Para saber más sobre Instrucciones de Seguridad** para el Gato, consulte las Instrucciones de Instalación, Operación y Mantenimiento del Gato, que encontrará en la caja del gato.
- **Nunca** utilice escaleras para trabajar cuando el elevador esté en una posición elevada.

# INSTRUCCIONES DE OPERACIÓN

**⚠ADVERTENCIA** Para evitar lesiones personales y/o daños a la propiedad, permita solamente a personal capacitado que opere el elevador.

Luego de revisar estas instrucciones, familiarícese con los controles del elevador haciéndolo funcionar por unos ciclos antes de subir ningún vehículo.

Observe y tenga en cuenta las etiquetas de SEGURIDAD y ADVERTENCIA que figuran en el elevador.

**Nota:** El Modelo EL2 se diseñó para una distancia entre ejes de 131 o (332.8 cm) mayor para la capacidad de carga nominal de 14,000 lb. (6,350 kg.).

1. Carga: Cuando el vehículo es colocado sobre el elevador, éste debe estar completamente abajo y nadie debe estar en el área de servicio.
2. Si el elevador está equipado con gatos de patines, estos deben hacerse descender completamente y el gato trasero debe empujarse hacia el centro del elevador para proporcionar holgura debajo del vehículo.

**⚠ADVERTENCIA** ¡Engrane los bloqueos del carril antes de levantar el vehículo sobre los gatos! ¡NO opere el elevador mientras los gatos estén acoplados con un vehículo!

3. Detenga el vehículo cuando haga contacto con los topes de las ruedas delanteras. En todo momento, asegúrese que las ruedas traseras estén delante de las rampas/cuñas y de que estas dejen libres los neumáticos cuando el elevador ascienda. Fig. 1. Tanto el conductor como los pasajeros deben descender del vehículo antes que éste sea elevado.
4. Coloque cuñas triangulares de ruedas en cada lado de uno de los neumáticos traseros, Fig. 1.
5. Para hacer ascender el elevador: Presione el botón "ASCENDER" en la unidad de energía. Suelte el botón cuando alcance la altura deseada, Fig. 2.
6. Para las instrucciones de seguridad de los gatos de patines, consulte las Instrucciones de Instalación, Operación y Mantenimiento del Gato de Patines que están en su caja.
7. Antes de hacer descender el elevador: Asegúrese de que nadie esté en la zona de elevación y que todas las herramientas, bandeja de herramientas.

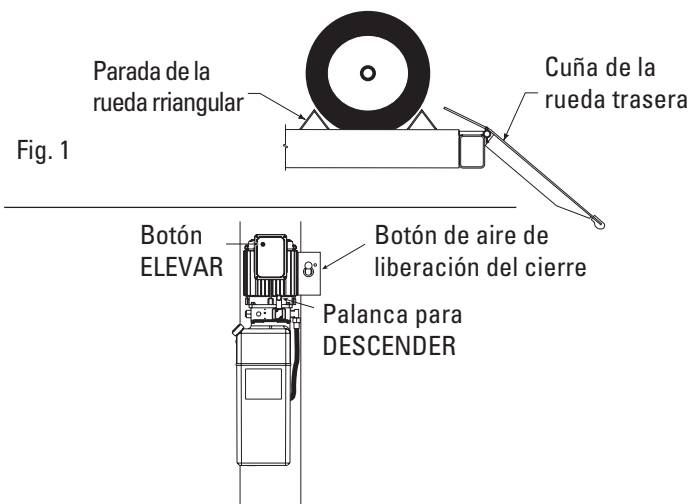


Fig. 2

**⚠ADVERTENCIA** Los carriles, rampas y yugos de conexión en cada extremo del elevador están diseñados para descansar sobre el suelo mientras están totalmente descendido. Observe las calcomanías de advertencia de puntos de pellizco, Fig. 3.

8. Repita el Paso 2.
9. Para hacer descender el elevador: Si el elevador ha estado apoyado sobre los cierres de fijación, entonces debe subirlo lo suficiente para que los cuatro seguros se liberen de las ranuras existentes dentro de las columnas.
10. Active la válvula de liberación de seguros en la columna de la unidad de energía para desenganchar los cuatro cerrojos de seguridad, Fig. 2. Sostenga el activador hasta que el elevador haya sido completamente descendido.

**Nota:** Si se libera el activador en la válvula de aire, los seguros regresarán automáticamente a la posición de enganche.

11. Presione la manija de descenso en la unidad de energía para descender el elevador, Fig. 2. La velocidad de descenso puede controlarse mediante la fuerza que se aplique a la manija de descenso.
12. Observe que el elevador y el vehículo estén a nivel mientras se hace descender. De no ser así, DETÉNGASE y repita los Pasos del 10 al 13.
13. Haga descender totalmente el elevador, retire las cuñas triangulares de las ruedas y revise el área para asegurarse de que esté despejada antes de retirar el vehículo del elevador, Fig. 1.
14. Si su elevador no está operando apropiadamente, NO lo utilice hasta que se hagan los ajustes o reparaciones por personal de servicio de elevadores calificado.

**⚠ADVERTENCIA** Mantenga las manos alejadas de los extremos del yugo mientras que el elevador está siendo ascendido o descendido, Fig. 3.

\*La máxima presión de funcionamiento es:  
 2755 psi (18995 kPa) para AR14  
 2973 psi (20498 kPa) para ARO14  
 2538 psi (17499 kPa) para SM14  
 2973 psi (20498 kPa) para SM014

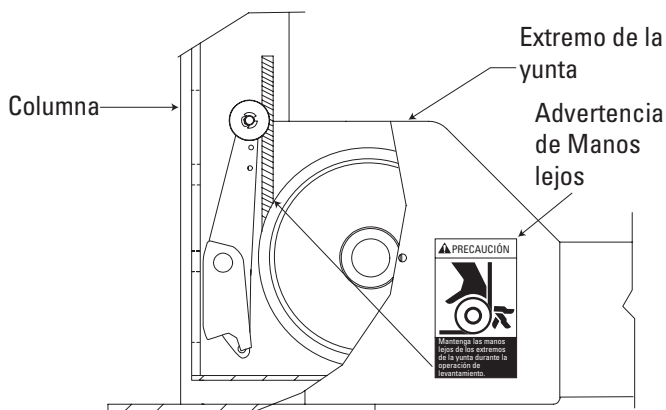


Fig. 3



# INSTRUCCIONES DE MANTENIMIENTO

**⚠️ ADVERTENCIA** Si no está familiarizado por completo con los procedimientos de mantenimiento de elevadores automotrices, **DETÉNGASE**. Contacte con la fábrica para recibir instrucciones.

**Para evitar lesiones personales**, permita que sólo personal calificado en el servicio a los elevadores realice el mantenimiento de este equipamiento.

- **Periódicamente:** Verifique el apriete de todos los pernos de fijación de la columna, del elevador y los carriles.
- Eleve **siempre** el elevador cuando realice limpieza del piso con productos solventes y/o compuestos químicos.
- **Siempre** mantenga limpios los carriles y las articulaciones. En zonas salinas u otros ambientes corrosivos, el elevador debe ser lavado semanalmente.
- **Siempre:** Reemplace los dispositivos tensores flojos de los cables al reemplazar con cables nuevos.
- **Nunca:** Engrase los rodillos o los pernos en los elevadores con yuntas abiertas.
- **Diariamente:** Verifique el desgaste de cables y poleas. Compruebe que no haya hebras de cable deshilachadas. Limpie los cables con un trapo para detectar pequeñas hebras de cable roto difíciles de ver. Reemplace los cables que muestren hilos rotos. Reemplace las piezas usadas según sea necesario con repuestos originales Rotary.
- **Diariamente:** Verifique los topes para las ruedas delanteras y las rampas/cuñas para detectar daños o desgaste excesivo. Reemplace las partes necesarias con refacciones originales Rotary.
- **Diariamente:** Verifique la operación y el reinicio de los cierres de fijación. Realice los ajustes o reparaciones de acuerdo a las instrucciones, o reemplace las partes con repuestos originales Rotary.
- **Semanalmente:** Limpie los cuerpos extraños de los discos deslizantes de la rueda trasera y los medidores del radio de giro soplando con aire a presión. **NO ENGRASE LOS RODAMIENTOS DE BOLAS.**
- **Semanalmente:** Verifique la torsión de los pernos del anclaje de la columna según las especificaciones.
- **Mensualmente:** Limpie los cables en las posiciones de ascenso y descenso del elevador atomizándolos con aceite de penetración y pasándoles un paño.
- **Mensualmente:** Compruebe si los cables tienen desgaste. Consulte Guía de inspección y mantenimiento del elevador con 4 columnas para ver la información sobre inspección de desgaste.
- **Mensualmente:** Verifique el nivel del carril. Ajuste según las instrucciones.
- **Mensualmente:** Lubrique la Guía de cada radio de giro con una película lubricante seca. Limpie y lubrique con mayor frecuencia que las condiciones de la garantía.
- **Semi-Anualmente:** Verifique el nivel de fluidos de la unidad de alimentación del elevador y complete en caso de ser necesario. Si se necesita fluido, inspeccione todas las conexiones, mangueras y sellos. Repare según sea necesario.
- **Semi-Anualmente:** Lubrique el tope de la rueda delantera y los pasadores de las bisagras de la rampa/cuñas.

**IMPORTANTE** Los ajustes de los cables deben comprobarse por un Instalador autorizado por Rotary después de los primeros ciclos de elevación con carga y después cada 300 ciclos de elevación con carga.

• **Para Instrucciones sobre el Mantenimiento de los Gatos** vea las Instrucciones de Instalación, Operación y Mantenimiento de Gatos, contenidas en la caja del gato.

# SOLUCIÓN DE PROBLEMAS

Problema	Causa	Solución
El motor no arranca.	<ol style="list-style-type: none"> <li>1. Verifique el fusible o el interruptor de circuito.</li> <li>2. Verifique que el motor reciba el voltaje adecuado.</li> <li>3. Verifique la instalación eléctrica.</li> <li>4. El interruptor está quemado.</li> <li>5. Las bobinas del motor están quemadas.</li> </ol>	<ol style="list-style-type: none"> <li>1. Reemplace el fusible quemado o reinicie el interruptor de circuito.</li> <li>2. Alimente el motor con la tensión adecuada.</li> <li>3. Repare y aíse todas las conexiones.</li> <li>4. Reemplace el interruptor.</li> <li>5. Reemplace el motor.</li> </ol>
El motor arranca pero no sube el elevador.	<ol style="list-style-type: none"> <li>1. Válvula de descenso abierta.</li> <li>2. Bomba con succión de aire.</li> <li>3. Toma de succión separada de la bomba.</li> <li>4. Bajo nivel de fluido.</li> </ol>	<ol style="list-style-type: none"> <li>1. Repare o reemplace la válvula de descenso.</li> <li>2. Ajuste las instalaciones de todas las tuberías de succión.</li> <li>3. Reemplace la toma de succión.</li> <li>4. Complete el tanque con Dexron III ATF.</li> </ol>
El motor funciona—levanta el elevador sin carga pero no levanta el vehículo.	<ol style="list-style-type: none"> <li>1. El motor está funcionando con bajo voltaje.</li> <li>2. Basura en la válvula de descenso.</li> <li>3. Ajuste incorrecto de la válvula de descarga.</li> <li>4. Elevador sobrecargado.</li> </ol>	<ol style="list-style-type: none"> <li>1. Alimente el motor con la tensión adecuada.</li> <li>2. Limpie la válvula de descenso.</li> <li>3. Reemplace el cartucho de la válvula de descarga.</li> <li>4. Verifique el peso del vehículo y/o balancee el peso del vehículo en el elevador.</li> </ol>
El elevador se asienta muy lentamente.	<ol style="list-style-type: none"> <li>1. Basura en el asiento de la válvula de retención.</li> <li>2. Basura en el asiento de válvula de descenso.</li> <li>3. Fugas externas de fluido.</li> </ol>	<ol style="list-style-type: none"> <li>1. Limpie la válvula de retención.</li> <li>2. Limpie la válvula de descenso.</li> <li>3. Repare las fugas externas.</li> </ol>
Velocidad de descenso baja o sale fluido por la tapa de llenado/respiradero.	<ol style="list-style-type: none"> <li>1. Aire mezclado con el fluido.</li> <li>2. Aire mezclado con el fluido en la succión.</li> <li>3. Tubería de retorno del fluido floja.</li> </ol>	<ol style="list-style-type: none"> <li>1. Cambie el fluido hidráulico a Dexron III ATF.</li> <li>2. Ajuste las instalaciones de todas las tuberías de succión.</li> <li>3. Reinstale la tubería de retorno de fluido.</li> </ol>
El elevador sube sin nivelación.	<ol style="list-style-type: none"> <li>1. Cables no ajustados.</li> <li>2. Elevador instalado en una superficie no nivelada.</li> </ol>	<ol style="list-style-type: none"> <li>1. Ajuste la tensión del cable.</li> <li>2. Nivele con una barra de metal el elevador hasta alcanzar el nivel de las columnas (Que no supere 1/2" (13mm) por columna).</li> </ol> <p>Nota: El espesor del calzo de 2" (51mm) es posible al usar el kit de calzos opcional #FC5393. Comuníquese con el distribuidor autorizado de piezas giratorias para pedir información.</p>
El elevador se detiene o vibra antes de elevarse por completo.	<ol style="list-style-type: none"> <li>1. Bajo nivel de fluidos.</li> </ol>	<ol style="list-style-type: none"> <li>1. Verifique el nivel de fluidos y purgue el cilindro. Si se requiere fluido, verifique todas las instalaciones, mangueras y cierres. Repare según sea necesario. Limpie el tubo del filtro de succión de la unidad de alimentación.</li> </ol>
Los anclajes no se mantienen apretados.	<ol style="list-style-type: none"> <li>1. Orificios demasiado grandes.</li> <li>2. Espesor del piso de concreto o fuerza de sujeción no suficientes.</li> </ol>	<ol style="list-style-type: none"> <li>1. Coloque un cemento de fraguado rápido dentro de los orificios y reajuste las anclas o reubique el elevador utilizando una nueva broca para taladrar los orificios.</li> <li>2. Rompa el concreto viejo y coloque plataformas nuevas para el elevador.</li> </ol>
El elevador no desciende.	<ol style="list-style-type: none"> <li>1. Provisión de aire insuficiente para el elevador.</li> <li>2. Cierres no ajustados.</li> </ol>	<ol style="list-style-type: none"> <li>1. Verifique la presión del aire. Provisión de aire insuficiente para el elevador. mín. 100 p.s.i. y máx. 120 p.s.i. (min. 690 kPa and max. 827 kPa). Compruebe todas las líneas y acoples por si tienen fugas o si están prensadas. Repare o sustituya según sea necesario.</li> <li>2. Verifique los cierres.</li> </ol>

# SOLUCIÓN DE PROBLEMAS

<b>Problema</b>	<b>Causa</b>	<b>Solución</b>
El elevador no se levanta de los cierres	1. Falla en el motor, bomba o cilindro.	1. Contacte a Servicio al cliente del fabricante.

# PROCEDIMIENTO DE BLOQUEO/ETIQUETADO DEL ELEVADOR

## Objetivo

Este procedimiento establece los requerimientos mínimos para el corte de la alimentación de elevadores que necesitan reparación y que podrían provocar daños al personal que lo opera. Todos los empleados deben cumplir este procedimiento.

## Responsabilidad

La responsabilidad de asegurar que este procedimiento se cumpla recae sobre todos los empleados y el personal de servicio externo a la compañía (ejemplo: Instaladores Autorizados de Rotary, contratistas, etc.). Todos los empleados deben recibir capacitación por parte del propietario / administrador sobre la importancia del procedimiento de seguridad de bloqueo. Todo empleado nuevo o transferido, así como también el personal de servicio externo deben recibir capacitación por parte del propietario/administrador (o persona designada) con el objetivo de saber cómo utilizar el procedimiento de bloqueo.

## Preparación

Los empleados autorizados para llevar a cabo el bloqueo deben asegurarse de que el dispositivo de aislamiento de energía apropiado (i.e., interruptor automático, fusible, desconectivo, etc.) esté identificado para que el elevador sea bloqueado. Los dispositivos similares para otros equipos deben estar ubicados en la cercanía del dispositivo de aislamiento de energía apropiado. Si la identidad del dispositivo está en duda, contacte al supervisor del taller para obtener una solución. Asegúrese de obtener la autorización necesaria antes de ejecutar el procedimiento de bloqueo.

## Pasos del Procedimiento de Bloqueo

- 1) Notifique a todos los empleados afectados que un bloqueo está realizándose y la razón de él.
- 2) Descargue el elevador en cuestión. Apáguelo y asegúrese de que, si existe un interruptor de desconexión en el elevador, esté en "APAGADO".
- 3) La persona autorizada para el realizar el bloqueo será la encargada de cortar la corriente utilizando el dispositivo de aislamiento de energía para el elevador en cuestión.
  - Si éste es un dispositivo bloqueable, la persona de bloqueo autorizada coloca el candado asignado sobre el dispositivo para prevenir su reactivación no intencional. Una etiqueta apropiada es aplicada mencionando el nombre de la persona, de al menos 3" x 6" (76mm x 152mm) de tamaño, en un color fácil de notarse, y expresa no operar el dispositivo o quitar la etiqueta.
  - Si el dispositivo es un interruptor de circuito o fusible y no se puede bloquear, reemplácelo por un dispositivo "falso" y etiquételo apropiadamente del mismo modo que se mencionó arriba.
- 4) Intente operar el elevador para asegurar que el bloqueo está funcionando. Asegúrese de colocar todos los interruptores en la posición "APAGADO".
- 5) El equipo está ahora bloqueado y listo para el mantenimiento requerido o servicio.

## Restablecimiento del Equipo al Servicio

- 1) Asegúrese de que el trabajo en el elevador esté completo y el área libre de herramientas, vehículos, y personal.
- 2) En este punto, la persona autorizada puede remover el candado (o falso circuito de interrupción o fusible) & etiqueta y activar el dispositivo de aislamiento de energía para que el elevador pueda ser nuevamente puesto en operación.

## Reglas para utilizar el Procedimiento de Bloqueo

Utilice el Procedimiento de Bloqueo cuando el elevador sea reparado o necesite servicio, esté esperando por reparación o cuando su operación actual pueda provocar daños al personal, o por cualquier otra situación cuando su operación no intencional pudiera causar daños al personal. No debe intentar operar el elevador cuando el dispositivo de aislamiento de energía esté bloqueado.

Notas:

Notas:

Notas:

# CONDICIONES DE OPERACIÓN

El elevador no está diseñado para uso exterior y tiene una temperatura ambiente de operación en un rango de 41°-104°F (5°-40°C).

Instalador: Devuelva este folleto al paquete de documentación y

## ENTRÉGUESELO AL PROPIETARIO/OPERADOR DEL ELEVADOR.

Operadores capacitados y un mantenimiento regular aseguran un desempeño satisfactorio del elevador giratorio.

Contacte con Su Distribuidor Autorizado de Partes Rotary más Cercano para Refacciones Rotary Originales. Consulte el Paquete de Literatura para obtener información sobre Avería de Partes.

**Oficinas centrales en el mundo de Rotary**  
2700 Lanier Drive  
Madison, IN 47250, USA  
www.rotarylitt.com

**Información de contacto para Norteamérica**  
Soporte técnico:  
p 800.445.5438  
f 800.578.5438  
Correo-e userlink@rotarylitt.com  
Ventas: Tel. 800.640.5438  
Fax 800.578.5438  
Correo-e userlink@rotarylitt.com

**Información de contacto a nivel mundial**  
Oficinas centrales mundiales /EE.UU. 1.812.273.1622  
Canadá: 1.905.812.9920  
Oficinas centrales en Europa/Alemania: +49.771.9233.0  
Reino Unido: +44.178.747.7711  
Australasia: +60.3.7660.0285  
América Latina/Caribe: +54.3488.431.608  
Medio Oriente / África del Norte: +49.771.9233.0

© Vehicle Service Group<sup>SM</sup>

Impreso en los E.U.A., Todos los Derechos Reservados. A menos que se indique otra cosa. ROTARY y todas las otras marcas comerciales son propiedad de Dover Corporation y de sus afiliados.

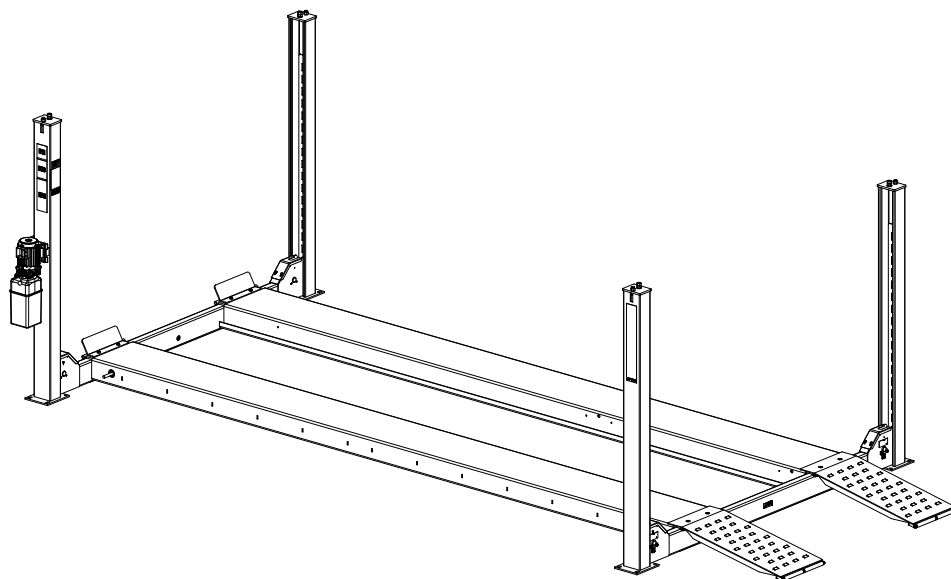






# AR14/SM14/AR014/SM014

(Série 100) Pont élévateur hors terre à quatre colonnes  
Capacité de 6 350 kg (14 000 lb)  
[3 181 kg (7 000 lb) par essieu]



## TABLE DES MATIÈRES :

Responsabilité du propriétaire/employeur .....	2
Instructions de sécurité .....	3
Mode d'emploi.....	4
Instructions d'entretien .....	5
Dépannage.....	6
Procédure de verrouillage et de blocage du pont élévateur ..	7
Conditions de fonctionnement.....	12
Accessoires approuvés.....	12

LP20610/LP20618

## Le propriétaire / employeur doit :

- S'assurer que les opérateurs du pont élévateur soient qualifiés et formés à l'utilisation sécuritaire selon les instructions du fabricant; ALI/SM 10-1, manuel de sécurité ALI Lever le comme il faut ; les cartes ALI /ST-10 ALI conseils de SÉCURITÉ ; la norme ANSI/ALI ALOIM-2008, la norme nationale américaine sur les Exigences de sécurité concernant le fonctionnement, l'inspection et l'entretien de ponts élévateurs ; les séries ALI/WL, ALI étiquette d'avertissement uniforme vignettes/plaques-étiquettes, et, dans le cas de ponts élévateurs à engagement par le châssis (frame engaging lifts), GUIDE ALI/LP, points d'ancrage pour soulever un véhicule/Guide de référence rapide pour les ponts élévateurs pour un levage à partir des essieux.
- Définir des procédures afin d'inspecter périodiquement le pont élévateur conformément aux directives du fabricant ou à la norme ANSI/ALI ALOIM-2008 pour ponts élévateurs, la norme nationale américaine sur les Exigences de sécurité concernant le fonctionnement, l'inspection et l'entretien. L'employeur doit également s'assurer que les inspecteurs sont qualifiés et qu'ils ont reçu une formation appropriée permettant de procéder à son inspection.
- Doivent mettre en place des procédures d'entretien périodique selon les instructions du fabricant du pont élévateur ou ANSI/ ALI ALOIM-2008, la norme nationale américaine sur les Exigences de sécurité concernant le fonctionnement, l'inspection et l'entretien; et l'employeur doit s'assurer que le personnel d'entretien du pont élévateur est qualifié et qu'il a reçu une formation adéquate pour l'entretien des ponts élévateurs.
- Doit conserver les rapports périodiques d'inspection et d'entretien recommandés par le fabricant ou par ANSI/ALI ALOIM-2008, la norme nationale américaine sur l'utilisation, l'entretien et l'inspection des ponts élévateurs automobiles.
- Doit afficher les instructions de fonctionnement du fabricant; ALI/SM 10-1, manuel de sécurité ALI Lever le comme il faut; les cartes ALI /ST-10 ALI conseils de SÉCURITÉ; ANSI/ALI ALOIM-2008, la norme nationale américaine sur l'utilisation, l'entretien et l'inspection des ponts élévateurs automobiles; et , dans le cas du pont élévateur à châssis d'engagement, ALI/LP-GUIDE, Points de levage de véhicule/guide de référence rapide pour les ponts élévateurs à châssis d'engagement dans un endroit visible de la zone d'opération, pratique pour l'opérateur.
- Fournir les dispositifs de verrouillage et d'étiquetage (lockout/tagout) appropriés aux sources d'alimentation conformément à ANSI Z244.1-1982 (R1993), Exigences de sécurité des sources d'énergie pour le verrouillage et l'étiquetage, avant que toute réparation soit effectuée sur le pont élévateur.
- Ne pas modifier le pont élévateur sans le consentement écrit au préalable du fabricant.

# INSTRUCTIONS DE SÉCURITÉ

- **Ne jamais** laisser des personnes non autorisées ou non formées manipuler un pont élévateur ou des crics mobiles.
- **La politique** de l'atelier devrait interdire aux clients ou personnes non autorisées d'être présents dans l'atelier lorsque le pont élévateur est en cours d'utilisation.
- **Bien** former tous les employés à utiliser et à entretenir le pont élévateur et les crics mobiles.
- **S'assurer** que personne ne soit devant ou derrière le pont élévateur lorsque le véhicule entre ou sort.
- **NE PAS** laisser les pneus arrière ou une partie du véhicule interférer avec la rampe/cales.
- **S'assurer** que les butoirs de roue avant soient en position levée avant de faire entrer le véhicule sur le pont élévateur.
- **Ne jamais** permettre aux roues avant de heurter les butoirs de roues avant.
- **NE permettre** à aucun employé ou client d'être sur le pont élévateur lors de la montée et de la descente.
- **Toujours** rester à l'écart du pont élévateur lors de la montée et descente et respecter les avertissements des "Points de pincement".
- **Ne jamais** surcharger le pont élévateur : la capacité du pont est de 6 350 kg (14 000 lb). [3 181 kg (7 000 lb) par essieu]. LA CAPACITÉ DE CHARGE NE DOIT JAMAIS ÊTRE DÉPASSÉE.
- **Toujours** engager le frein de stationnement et utiliser les cales des roues arrière pour empêcher que le véhicule roule librement sur les travées.
- **Toujours** abaisser le pont élévateur sur les loquets avant d'entamer des travaux sur le véhicule.
- **Garder la zone** près du pont élévateur dégagée : sans outils, débris, graisse ou huile.
- **Toujours** garder le chemin de roulement propre.
- **Remplacer** toutes les décalcomanies de Mise en garde, d'Avertissement ou celles concernant la sécurité sur le pont élévateur lorsqu'elles sont illisibles ou manquantes.
- **Pour le mode d'emploi du cric mobile** voir les instructions d'installation, de fonctionnement et d'entretien dans la boîte du cric.
- **Ne jamais** utiliser d'escabeau alors que le pont élévateur est relevé.

# MODE D'EMPLOI

**⚠ AVERTISSEMENT** Pour éviter blessure et/ou dommage à la propriété, n'autoriser que du personnel formé à opérer le pont élévateur.

Après avoir lu ces directives, familiarisez-vous avec les commandes en exécutant quelques cycles avant de monter un véhicule sur l'élévateur.

Respecter et tenir compte des étiquettes de SÉCURITÉ et AVERTISSEMENT sur le pont élévateur.

**Remarque :** Le modèle EL2 a été conçu pour un empattement de 40 m (131 po) ou plus à la capacité nominale de 6 350 kg (14 000 lb).

1. Chargement : Le pont élévateur doit être complètement abaissé et personne dans la baie de service alors que le véhicule monte sur le pont élévateur.
2. Si le pont élévateur est équipé de crics mobiles, les crics doivent être complètement abaissés et le vérin arrière poussé vers le centre du pont élévateur pour avoir un dégagement sous la voiture.

**⚠ AVERTISSEMENT** Enclencher les loquets du chemin de roulement avant de soulever un véhicule sur les crics! NE PAS faire fonctionner le pont élévateur pendant que les crics sont en place sous un véhicule !

3. Arrêter le véhicule lorsque les roues avant entrent en contact avec les butoirs de roues. En tout temps, s'assurer que les roues arrière sont en avant de la rampe/cales et pourront se dégager des pneus lorsque le pont élévateur sera levé, Fig. 1. Le chauffeur et les passagers doivent sortir de la voiture avant de la monter.
4. Placer les cales de roue triangulaire des deux côtés sur l'une des roues arrière, Fig. 1.
5. Pour monter l'élévateur : Appuyer sur le bouton "MONTER" de l'unité de commande. Lâcher le bouton à la hauteur désirée, Fig. 2.
6. Pour le mode d'emploi du cric mobile, voir les instructions d'installation, de fonctionnement et d'entretien dans la boîte d'expédition du cric.
7. Avant l'abaissement du pont élévateur : S'assurer qu'il n'y a personne dans la zone du pont élévateur et que tous les outils, coffre à outils, etc. ont été enlevés.

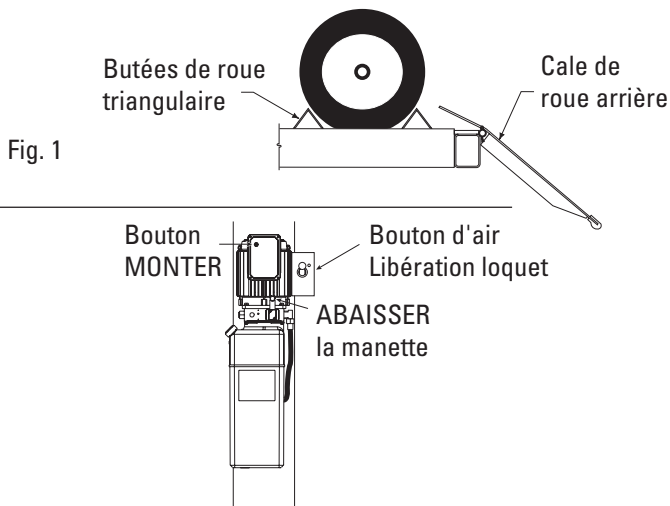


Fig. 1

**⚠ AVERTISSEMENT** Les chemins de roulement, les rampes, les étriers reliant chaque extrémité du pont élévateur sont conçus pour se poser au sol lorsque le pont élévateur est complètement abaissé. Respecter le point de pincement sur les décalcomanies d'avertissements, Fig. 3.

8. Répéter l'étape 2.
9. Pour abaisser le pont élévateur : Si le pont élévateur est verrouillé sur les loquets, il doit être suffisamment soulevé pour que tous les quatre loquets puissent être dégagés des encoches de la plaque de verrouillage situées à l'intérieur des colonnes.
10. Actionner la valve de libération des loquets sur l'unité d'alimentation de la colonne pour les désengager tous les quatre, Fig. 2. Tenir l'actionneur jusqu'à ce que le pont élévateur soit complètement descendu.

**Remarque :** Si l'actionneur sur la vanne d'air est relâché, les verrous seront automatiquement réinitialisés à la position verrouillée.

11. Appuyer sur la manette inférieure de l'unité d'alimentation pour descendre le pont élévateur, Fig. 2. La vitesse de descente peut être contrôlée par la pression appliquée sur la manette de descente.
12. Surveiller le pont élévateur et le véhicule pour s'assurer que le pont est de niveau lors de la descente. Sinon, ARRÊTER et répéter les étapes 10 à 13.
13. Abaisser complètement le pont élévateur, enlever les cales de roues triangulaires et s'assurer que la zone est dégagée avant de retirer le véhicule du pont élévateur, Fig. 1.
14. Si le pont élévateur ne fonctionne pas correctement, NE PAS l'utiliser jusqu'à ce que les ajustements ou les réparations soient effectués par un réparateur qualifié de pont élévateur.

**⚠ AVERTISSEMENT** Garder les mains à l'écart de l'étrier lorsque le pont élévateur monte ou descend, Fig. 3.

\*Pression maximum de fonctionnement :

- 2755 psi (18995 kPa) pour l'AR14
- 2973 psi (20498 kPa) pour l'AR014
- 2538 psi (17499 kPa) pour le SM14
- 2973 psi (20498 kPa) pour le SMO14

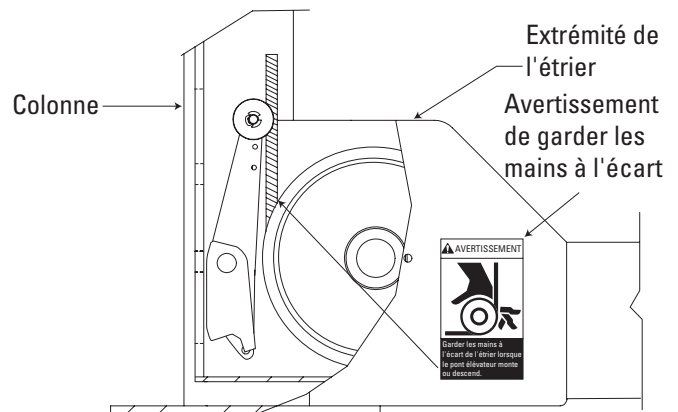


Fig. 3

# INSTRUCTIONS D'ENTRETIEN

**⚠️ AVERTISSEMENT** Si vous n'êtes pas familier avec les procédures de maintenance du pont élévateur **ARRÊTER TOUT**. Contacter l'usine pour avoir des instructions.

**Afin d'éviter tout risque de blessure**, ne laisser que le personnel qualifié effectuer l'entretien de l'équipement.

- **Périodiquement** : Vérifier que toutes vis de fixation soient bien serrées sur les colonnes, le pont élévateur/chemin de roulement.
- **Toujours** lever le pont élévateur pendant le nettoyage du plancher avec des solvants et/ou des produits de nettoyage.
- **Toujours** garder les chemins de roulement et les raccordements propres. Si utilisé dans un environnement salin ou corrosif, l'équipement doit être nettoyé une fois par semaine.
- **Toujours** : Remplacer les ressorts du dispositif de mou de câble lors du remplacement des câbles.
- **Ne jamais** : Graisser les galets ou goupilles des étriers ouverts de ponts élévateurs.
- **Quotidiennement** : Vérifier l'usure des câbles et des poulies. Vérifier s'il y a des câbles effilochés. Essuyer les câbles avec un chiffon pour détecter les petits brins de câbles cassés difficiles à voir. Remplacer les câbles endommagés. Lorsque requis, remplacer les pièces endommagées par des pièces d'origine.
- **Quotidiennement** : Vérifier les butoirs de roues avant et la rampe/cales pour des dommages ou de l'usure excessive. Lorsque requis, remplacer par des pièces d'origine.
- **Quotidiennement** : Vérifier le fonctionnement du loquet et réinitialiser. Lorsque requis, régler selon les directives ou réparer ou remplacer les pièces endommagées par des pièces d'origine.
- **Hebdomadairement** : Nettoyer et enlever les débris des plaques de glissement arrière et des jauges de rayon de braquage en soufflant de l'air comprimé. **NE PAS GRAISSER LES PALIERS À BILLES.**
- **Hebdomadairement** : S'assurer que le couple de serrage des boulons d'ancrage des colonnes est dans les spécifications.
- **Mensuellement** : Nettoyer les câbles métalliques du pont élévateur dans les positions abaissée et relevée en pulvérisant de l'huile pénétrante et en essuyant les câbles.
- **Mensuellement** : Vérifier l'usure des câbles. Se référer au guide d'inspection et d'entretien de pont élévateur à 4 colonnes pour l'information sur l'usure.
- **Mensuellement** : Vérifier le niveau du chemin de roulement. Ajuster selon les directives.
- **Mensuellement** : Graisser la glissière sur chaque rayon de braquage avec un lubrifiant à film sec. Nettoyer et lubrifier aussi souvent que les conditions le requièrent.
- **Semestriellement** : Vérifier le niveau du fluide de l'unité d'alimentation du pont élévateur et le remplir le cas échéant. S'il faut ajouter du fluide, inspecter tous les raccords, les flexibles et les joints. Réparer au besoin.
- **Semestriellement** : Lubrifier le butoir de roues avant et la rampe/axes de charnière des cales.

**IMPORTANT** L'ajustement du câble devrait être vérifié par un installateur autorisé de Rotary après les 50 premiers et après 300 levages du pont élévateur.

• **Pour les instructions d'entretien du cric mobile**, voir les instructions d'installation, de fonctionnement et d'entretien dans la boîte du cric.

# DÉPANNAGE

<b>Panne</b>	<b>Cause</b>	<b>Solution</b>
Moteur ne fonctionne pas.	<ol style="list-style-type: none"><li>1. Vérifier le fusible ou le disjoncteur.</li><li>2. Vérifier la tension d'alimentation du moteur.</li><li>3. Vérifier toutes les connexions du câblage.</li><li>4. Interrupteur brûlé.</li><li>5. Enroulements du moteur brûlés.</li></ol>	<ol style="list-style-type: none"><li>1. Remplacer le fusible brûlé ou fermer le disjoncteur.</li><li>2. Alimenter le moteur avec une bonne tension.</li><li>3. Réparer et isoler toutes les connexions.</li><li>4. Remplacer l'interrupteur.</li><li>5. Remplacer le moteur.</li></ol>
Moteur tourne, mais l'élévateur ne monte pas.	<ol style="list-style-type: none"><li>1. Ouvrir la soupape de descente.</li><li>2. Aspiration de l'air.</li><li>3. Pompe aspirante défectueuse.</li><li>4. Niveau de fluide bas.</li></ol>	<ol style="list-style-type: none"><li>1. Réparer ou remplacer la soupape de descente.</li><li>2. Serrer tous les raccords des tuyaux d'aspiration.</li><li>3. Remplacer l'embase d'aspiration.</li><li>4. Remplir le réservoir avec du Dexron III ATF.</li></ol>
Moteur tourne ; le pont monte sans charge, mais ne monte pas avec un véhicule.	<ol style="list-style-type: none"><li>1. Moteur est alimenté par une basse tension.</li><li>2. La soupape de descente engraisée.</li><li>3. Mauvais ajustement du clapet de décharge.</li><li>4. Pont élévateur surchargé.</li></ol>	<ol style="list-style-type: none"><li>1. Alimenter le moteur avec une bonne tension.</li><li>2. Nettoyer la soupape de descente.</li><li>3. Remplacer la capsule du clapet de décharge.</li><li>4. Vérifier et/ou balancer le poids du véhicule sur le pont élévateur.</li></ol>
Le pont élévateur descend lentement.	<ol style="list-style-type: none"><li>1. Vérifier les débris dans le siège de soupape.</li><li>2. Débris dans le siège de la valve d'abaissement.</li><li>3. Fuite de fluide externe.</li></ol>	<ol style="list-style-type: none"><li>1. Nettoyer le siège de soupape.</li><li>2. Nettoyer la soupape de descente.</li><li>3. Réparer les fuites externes.</li></ol>
Vitesse de levage lente ou de l'huile jaillit par le bouchon du reniflard.	<ol style="list-style-type: none"><li>1. Air mélangé avec du fluide.</li><li>2. Air mélangé avec le fluide de d'aspiration.</li><li>3. Tuyau de retour du fluide desserré.</li></ol>	<ol style="list-style-type: none"><li>1. Remplacer le fluide hydraulique par du Dexron III ATF.</li><li>2. Serrer tous les raccords des tuyaux d'aspiration.</li><li>3. Remettre le tube de retour.</li></ol>
Le pont élévateur monte sans être de niveau.	<ol style="list-style-type: none"><li>1. Les câbles ne sont pas ajustés.</li><li>2. Le pont élévateur est installé sur un plancher dénivélé.</li></ol>	<ol style="list-style-type: none"><li>1. Ajuster le mou du câble.</li><li>2. Poser des cales pour mettre les colonnes de niveau [ne pas dépasser 12,7 mm (0,5 po) d'épaisseur par colonne].</li></ol> <p>Remarque : Une cale de 5 cm (2 po) d'épaisseur est possible en utilisant la trousse de cales optionnel n° FC5393. Communiquez avec votre distributeur de pièces autorisé Rotary sur les informations pour commander.</p>
Le pont élévateur s'arrête avant la fin de la montée ou claqué.	<ol style="list-style-type: none"><li>1. Niveau de fluide bas.</li></ol>	<ol style="list-style-type: none"><li>1. Vérifier le niveau du fluide et purger le vérin. S'il le faut ajouter du fluide, inspecter tous les raccords, les flexibles et les joints. Réparer au besoin. Nettoyer le filtre de ramassage de l'embase de l'unité d'alimentation.</li></ol>
Les ancrages ne resteront pas serrés.	<ol style="list-style-type: none"><li>1. Les trous percés sont surdimensionnés.</li><li>2. L'épaisseur ou la résistance du plancher de béton ne sont pas suffisantes.</li></ol>	<ol style="list-style-type: none"><li>1. Utiliser un accélérateur de ciment pour verser dans les trous surdimensionnés et reposer les ancrages ou relocaliser le pont élévateur en utilisant une nouvelle mèche pour percer les trous.</li><li>2. Casser le vieux béton et le recouler pour les nouvelles assises du pont élévateur.</li></ol>
Le pont élévateur ne descend pas.	<ol style="list-style-type: none"><li>1. Alimentation en air insuffisante vers le pont élévateur.</li><li>2. Loquets déréglés.</li></ol>	<ol style="list-style-type: none"><li>1. Vérifier la pression d'air. L'alimentation en air du pont élévateur devrait être entre : 100 psi au minimum et 120 psi au maximum (min. 690 kPa and max. 827 kPa). Vérifier toutes les conduites et tous les raccords pour des fuites et sertissages. Au besoin réparer et remplacer.</li><li>2. Vérifier les loquets.</li></ol>

# DÉPANNAGE

## **Panne**

Les loquets du pont élévateur ne décrochent pas.

## **Cause**

1. Moteur, pompe ou vérin défectueux.

## **Solution**

1. Veuillez contacter le service à la clientèle du fabricant du pont élévateur.

# PROCÉDURE DE VERROUILLAGE ET DE BLOCAGE DU PONT ÉLÉVATEUR

## Objectif

Cette procédure établit les exigences minimales pour le verrouillage de l'énergie pouvant blesser des personnes manipulant un pont élévateur en attente de réparation ou ayant été réparée. Tous les employés doivent respecter cette procédure.

## Responsabilité

Chaque employé ainsi que le personnel de réparation envoyé par des sociétés externes (c.-à-d. installateurs autorisés de Rotary, entrepreneurs, etc.) sont tenus de respecter cette procédure. Chaque employé sera informé sur la procédure de verrouillage par le propriétaire/directeur. Chaque nouvel employé ou employé transféré ainsi que le personnel de réparation venant de l'extérieur doit également recevoir du propriétaire / directeur (ou personne désignée) les instructions concernant l'objectif et l'utilisation de la procédure de verrouillage.

## Préparation

Les employés autorisés à effectuer le verrouillage doivent s'assurer qu'un dispositif d'isolation d'énergie approprié (c.-à-d. disjoncteur, fusible, sectionneur, etc.) est identifié pour le verrouillage du pont élévateur. D'autres dispositifs semblables pour d'autres équipements peuvent être placés à proximité du dispositif d'isolation d'énergie approprié. Si l'identité du dispositif n'est pas claire, voir le directeur d'atelier pour résoudre ce problème. S'assurer d'avoir reçu une autorisation avant d'effectuer la procédure de verrouillage.

## Déroulement de la procédure de verrouillage

- 1) Notifier tous les employés affectés qu'un verrouillage sera exécuté et expliquer la raison.
- 2) Décharger le pont élévateur en question. Éteindre le pont et vérifier que l'interrupteur est sur "OFF" s'il y en a un sur le pont.
- 3) La personne autorisée au verrouillage fait fonctionner le dispositif d'isolement d'énergie principal, ce qui met le pont élévateur en question hors tension.
  - S'il s'agit d'un dispositif à verrou, la personne autorisée à effectuer le verrouillage place un cadenas sur l'appareil pour prévenir d'une réactivation non intentionnelle. Une étiquette appropriée sera adjointe, indiquant le nom de la personne, d'au moins 7,5 x 15 cm (3 x 6 po), de couleur facilement repérable, et signalant de ne pas faire fonctionner le dispositif ni retirer l'étiquette.
  - Si ce dispositif est un disjoncteur ou un fusible impossible à verrouiller, remplacer par un appareil "fantôme" et étiqueter comme décrit ci-dessus.
- 4) Essayer de faire fonctionner le pont élévateur pour vous assurer que le verrouillage fonctionne. Ne pas oublier de remettre tous les interrupteurs sur la position "OFF" position.
- 5) L'équipement est à présent verrouillé et prêt pour l'entretien ou les réparations requis.

## Remettre l'équipement en service

- 1) Assurez-vous que le travail sur le pont élévateur est terminé et que la zone est libre d'outils, de véhicules et de personnel.
- 2) La personne autorisée peut maintenant déverrouiller (le disjoncteur ou fusible provisoire) et retirer l'étiquette, puis activer le dispositif d'isolation d'énergie afin que l'élévateur puisse être remis en fonction.

## Règles d'utilisation de la procédure de verrouillage

Utiliser la procédure de verrouillage lorsqu'une réparation ou un entretien se fait. Veuillez attendre avant d'effectuer la réparation si cela peut blesser des personnes, ou toute autre situation lorsqu'une opération peut blesser, par inadvertance, du personnel. Ne jamais tenter de faire fonctionner le pont élévateur lorsque le dispositif d'isolation d'énergie est verrouillé.



Remarques :

Remarques :

Remarques :

# CONDITIONS DE FONCTIONNEMENT

Le pont élévateur n'est pas conçu pour être utilisé à l'extérieur. Il doit être utilisé à une température ambiante entre 41° et 104 F (5°-40°C).

Installateur : Veuillez remettre ce livret dans l'enveloppe de la documentation, et le

## DONNER AU PROPRIÉTAIRE / OPÉRATEUR DU PONT ÉLÉVATEUR.

Opérateurs qualifiés et entretien régulier assurent une performance satisfaisante de votre pont élévateur Rotary.

Pour les pièces de rechange, adressez-vous à votre distributeur de pièces Rotary le plus proche. Consulter la documentation pour la nomenclature des pièces.

**Rotary Siège social mondial**  
2700 Lanier Drive  
Madison, IN 47250. É.-U  
www.rotarylif.com

**Information pour nous contacter en Amérique du Nord**

Soutien Tech. :  
Tél 800.445.5438  
Fax 800.578.5438  
c userlink@rotarylif.com  
Ventes : tél 800.640.5438  
Fax 800.578.5438  
c userlink@rotarylif.com

**Informations de contact dans le monde entier**

International/É.-U. : 1.812.273.1622  
Canada : 1.905.812.9920  
Siège social européen/Allemagne : +49.771.9233.0  
Royaume-Uni : +44.178.747.7711  
Australasie : +60.3.7660.0285  
Amérique latine/Antilles : +54.3488.431.608  
Moyen-Orient/Afrique du Nord : +49.771.9233.0

**© Vehicle Service Group<sup>SM</sup>**

Imprimé aux É.-U., Tous droits réservés.  
Sauf indication contraire. ROTARY et toutes les autres marques de commerce sont la propriété de Dover Corporation et de ses filiales.

