

COATS®

APX80A/APX80E

APX90A/APX90E

Rim Clamp® Tire Changers

For servicing single piece automotive and most tubeless light truck tire/wheel assemblies.

Any other type, including tube type and agricultural, require special handling.

Tires identified as truck tires need to adhere to OSHA standard 1910.177.



**APX90 Shown*

Parts Identification

READ these instructions before placing unit in service. KEEP these and other materials delivered with the unit in a binder near the machine for ease of reference by supervisors and operators.

HENNESSY
INDUSTRIES

1601 J. P. Hennessy Drive, La Vergne, TN USA 37086 615/641-7533 800/688/6359 www.coatsgarage.com
HENNESSY INDUSTRIES INC. Manufacturer of AMMCO®, COATS® and BADA® Automotive Service Equipment and Tools.

Manual Part No.: 85000225 56
Revision: 10 /18

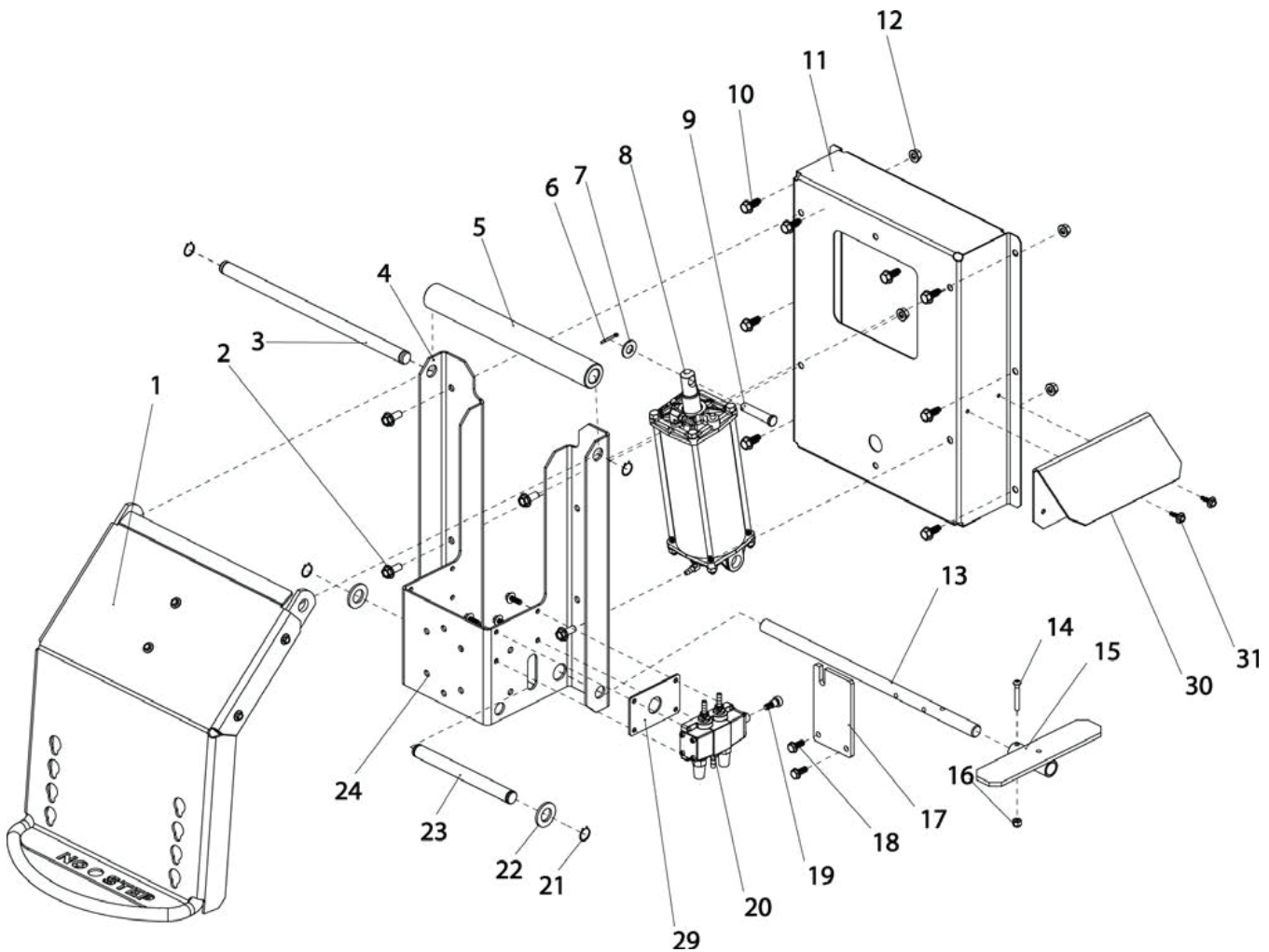
Parts Identification

The following pages include parts breakdowns with exploded view illustrations to help with ordering replacement or spare kits. Assemblies are noted where it is recommended that individual parts not be ordered separately. Note that the parts view illustrations are for multiple models and not all parts shown are on all models. Every effort is made to supply accurate exploded views, however, due to interim changes in manufacturing operations, some units may not be exactly as illustrated.

Table of Contents

Parts Identification.....	2
Lift Assembly (If equipped)	4
Chassis Assembly	5
Foot Pedal Assembly (Air)	6
Foot Pedal Assembly (Elec.)	7
Table Top Assembly	8
Shaft Housing Assembly	9
BL Arm Assembly	10
Horizontal Slide Assembly	11
Pressure & Inflation Bracket Assemblies.....	12
Tilt Tower Assembly 1	14
Tilt Tower Assembly 2	16
Robo Arm Assembly	18
Robo Roller Arm Assembly (If equipped).....	19
Cylinder Assemblies	20
Valve Assemblies	22
Pneumatic Diagram	24
Electric Schematic	26
Notes	27
Rim Clamp® Tire Changer	28

Lift Assembly (If equipped)

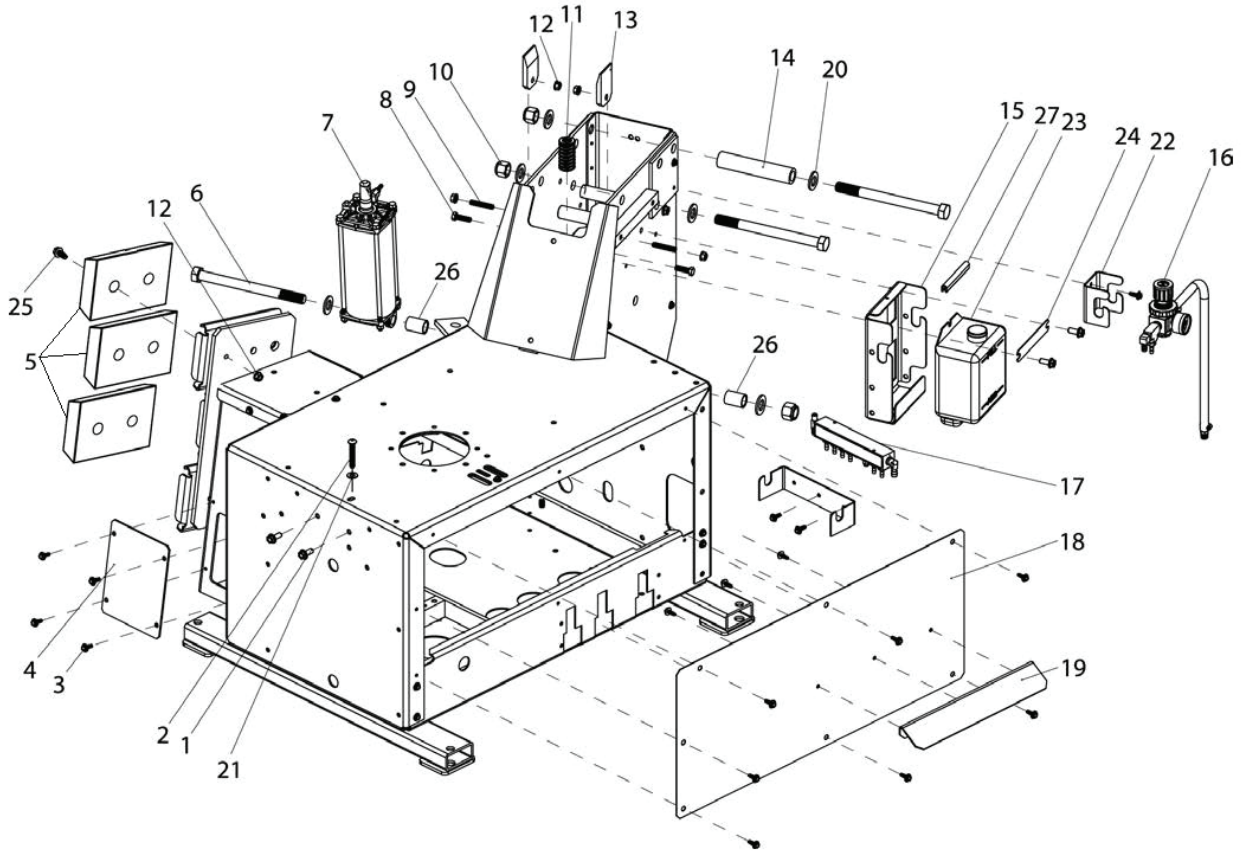


Item	Part No.	Description	Item	Part No.	Description
1	8184793	Lift	21	903174	Retaining Ring
2	8106302	3/8" Whiz Lock Screw, Gr.	22	8182457	3/4" SAE Washer
3	8185631	Lift Shaft	23	8184882	Tilt & Lift Cylinder Shaft
4	8184794	Cylinder Mount Channe	24	8184794	Cylinder Mount Bottom Channel
5	8184948	Lift Spacer	29	85000607	Valve Block Spacer
6	8102278	1/8 x 1" Cotter Pin	30	85000643	Pedal Guard
7	903214	1/2" Flat Washer	31	8106301	1/4" Hex Hd Self Tap Screw, Gr.5
8	85000334	Lift Cylinder Assembly			
9	8120129	2 1/4" x 1/2" Clevis Pin			
10	8102459	Self Tapping Bolt			
11	8185767	Lift Mount Bracket			
12	8106303	Whiz Lock Nut, Gr.5			
13	8184879	Lift Arm Pedal			
14	8184321	1/4-20 X 1.75 BHCS			
15	8184896	Lift Foot Pedal			
16	8181369	0.250-20, Nylock Hex Nut			
17	8184880	Lift Bar Pedal			
18	7109503	5/16-18 X 3/4 WHC Screw			
19	8301016	3/8 X 3/8 X 5/16-18 Shoulder Bolt			
20	***	Lift Valve Assembly			

** See Cylinder Assemblies pgs. 20 - 21

*** See Valve Assemblies pgs. 22 - 23

Chassis Assembly

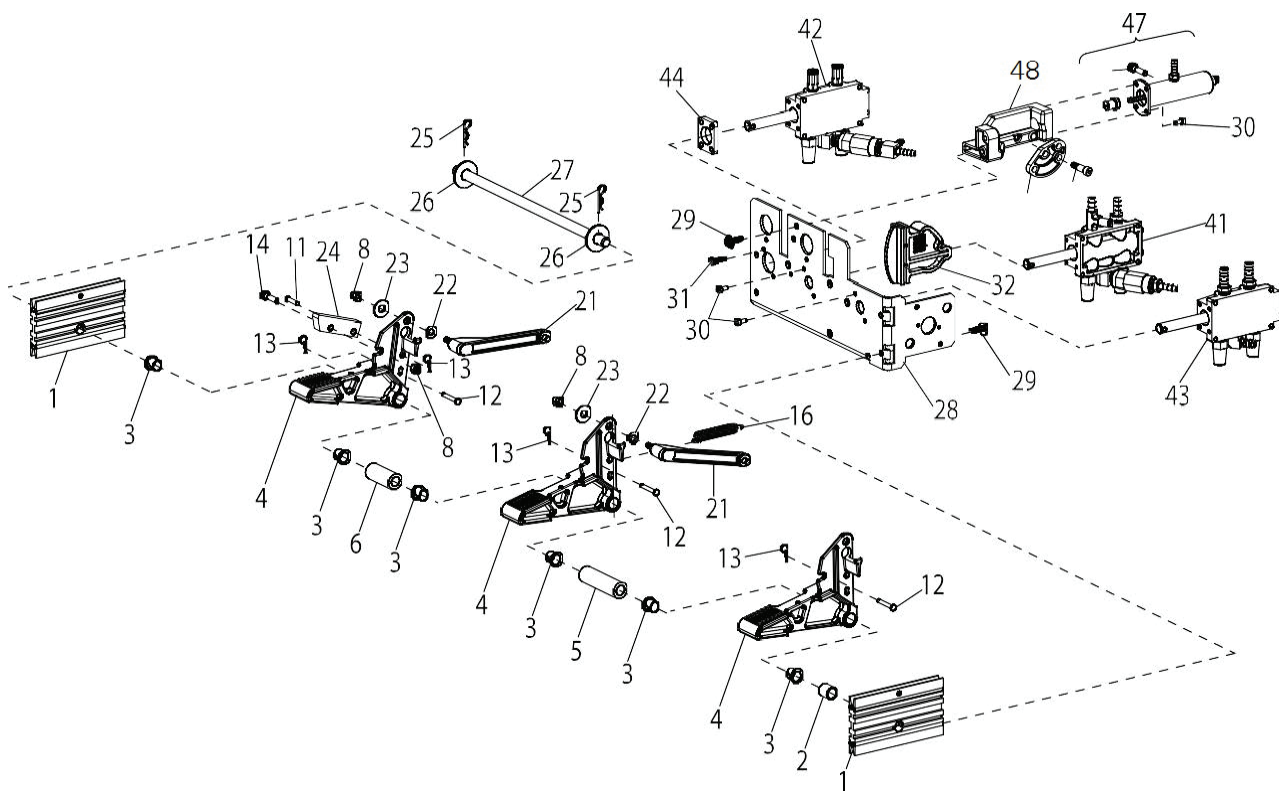


Item	Part No.	Description
1	8106302	3/8" Whiz Lock Screw, Gr
2	85000421	3/8-16 x 2-1/2 HWHCS Screw, Gr.
3	8106301	1/4" Hex Hd Self Tap Screw, Gr
4	85000260	Front B.L. Cov
5	8181855	B.L. Pads
6	8182126	Hex Head Bolt
7	**	Tilt Tower Cylinder Assemb
8	8107715	3/8-16 x 1-1/4 HHCS , Gr.8.
9	8180102	3/8-16 x 2" Set Scre
10	8182016	3/4-10 UNC Lock Nut
11	85000006	Med. High Press Spring
12	8106303	Whiz Lock Nut, Gr.5
13	8184874	Tilt Tower Guide Plate
14	85000122	Cushion Hose 0.780 x 1.25
15	8183770	Filter/Lube Bracket

Item	Part No.	Description
16	85008981	Reg/Gauge Assembly
17	85000082	Manifold Kit w/Fittings
18	8185532	Side Cover
19	8184929	Std. Pedal Covers
20	8182457	3/4" SAE Washer
21	8112310	0.406 ID x 0.812 x .065 Washer
22	85000749	Pressure Regulator Bracket
23	85610404	Tank Reservoir w/Cap
	85610406	Tank Reservoir Cap (Screw-on Style)
24	85008982	Hold Down Reservoir Bar
25	8102459	HWHSTCS, 3/8-16X.860 Screw
26	85000289	Steel Tube Spacer, 1" OD x .761 ID
27	8107732	4" Trim Edge

** See Cylinder Assemblies pgs. 20 - 21

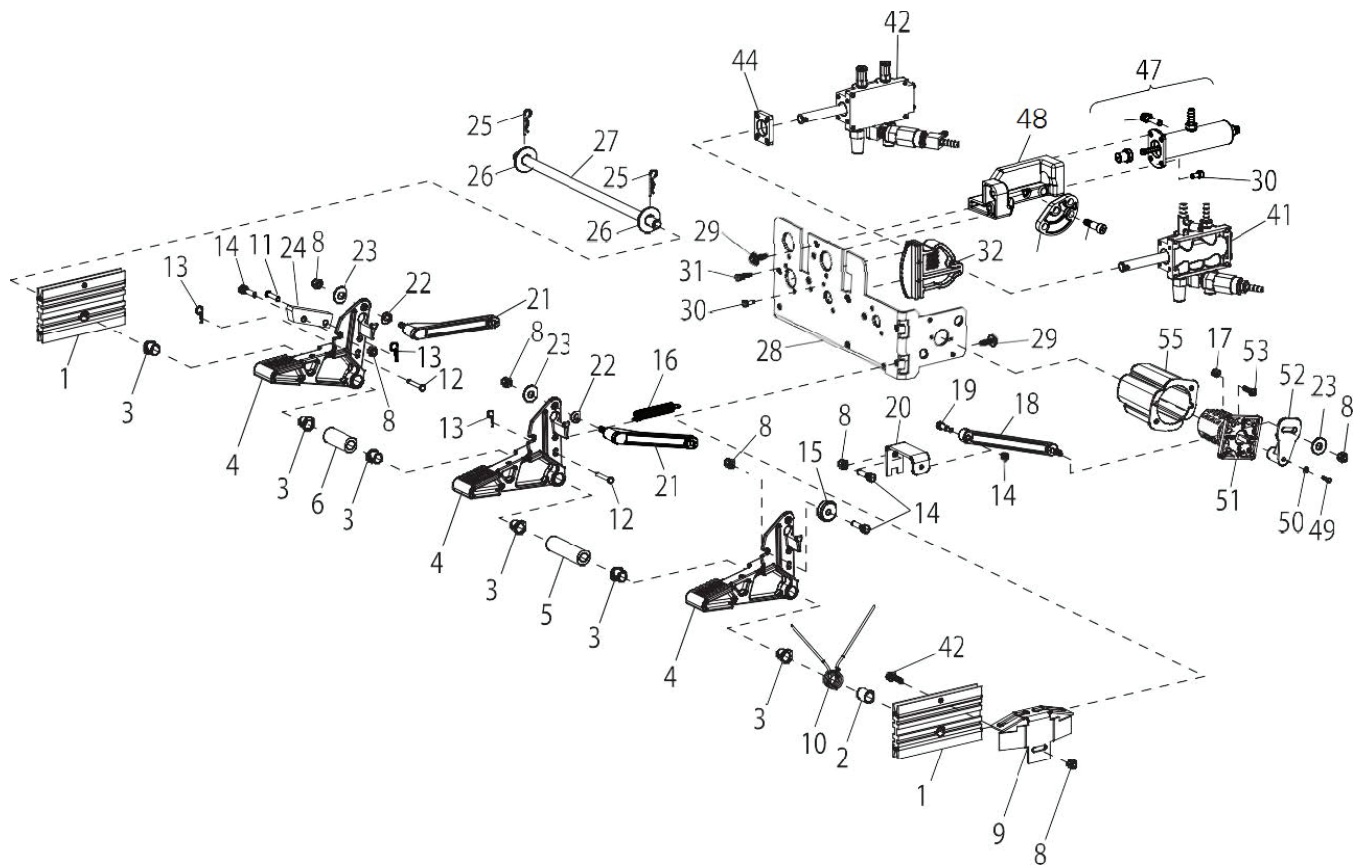
Foot Pedal Assembly (Air)



Item	Part No.	Description	Item	Part No.	Description
1	8181918	Bar-Valve Brkt. Spacer	16	8181708	Extension Spring, Pedal
2	8181872	Sleeve-Torsion Spring	17	8182682	10-24 Nylon Insert Lock Nut Gr.5
3	8181948	Bearing-Nyliner, 1/2"	18	8181699	Lever Assembly - Switch
4	8181675	Pedal, Standard	19	8182743	10-24 x 3/8 SHCSS, Gr.8
5	8182327	Pedal Spacer	20	8182363	Spacer - Sw Pedal Lever-Red
6	8181911	Spacer-Pedal	21	85010038	Lever-Cam Follower
8	8181369	1/4-20 Nylon Insert Lock Nut Gr.5	22	8181981	Wave Washer, 5/16" I.D.
9	8182670	Spring Stop Bracket	23	8107635	5/16" Flat Washer
10	8181707	Torsion Spring	24	85608197	Pedal Stop
11	8106455	Clevis Pin	25	8111609	Cotter, Hair Pin
12	8181977	Clevis Pin 3/16" x 1-1/2"	26	8301121	Washer
13	8120469	Hair Pin Cotter	27	8183398	Pedal Shaft
14	8181984	Hx.Hd.Cp.Scr., 1/4-20 x 1", Gr.5	28	85606356	Switch Valve Bracket
15	8181923	Washer - Stop			

*** Valve Assemblies (available only as individual components, see pgs. 22 - 23)

Foot Pedal Assembly (Elec.)



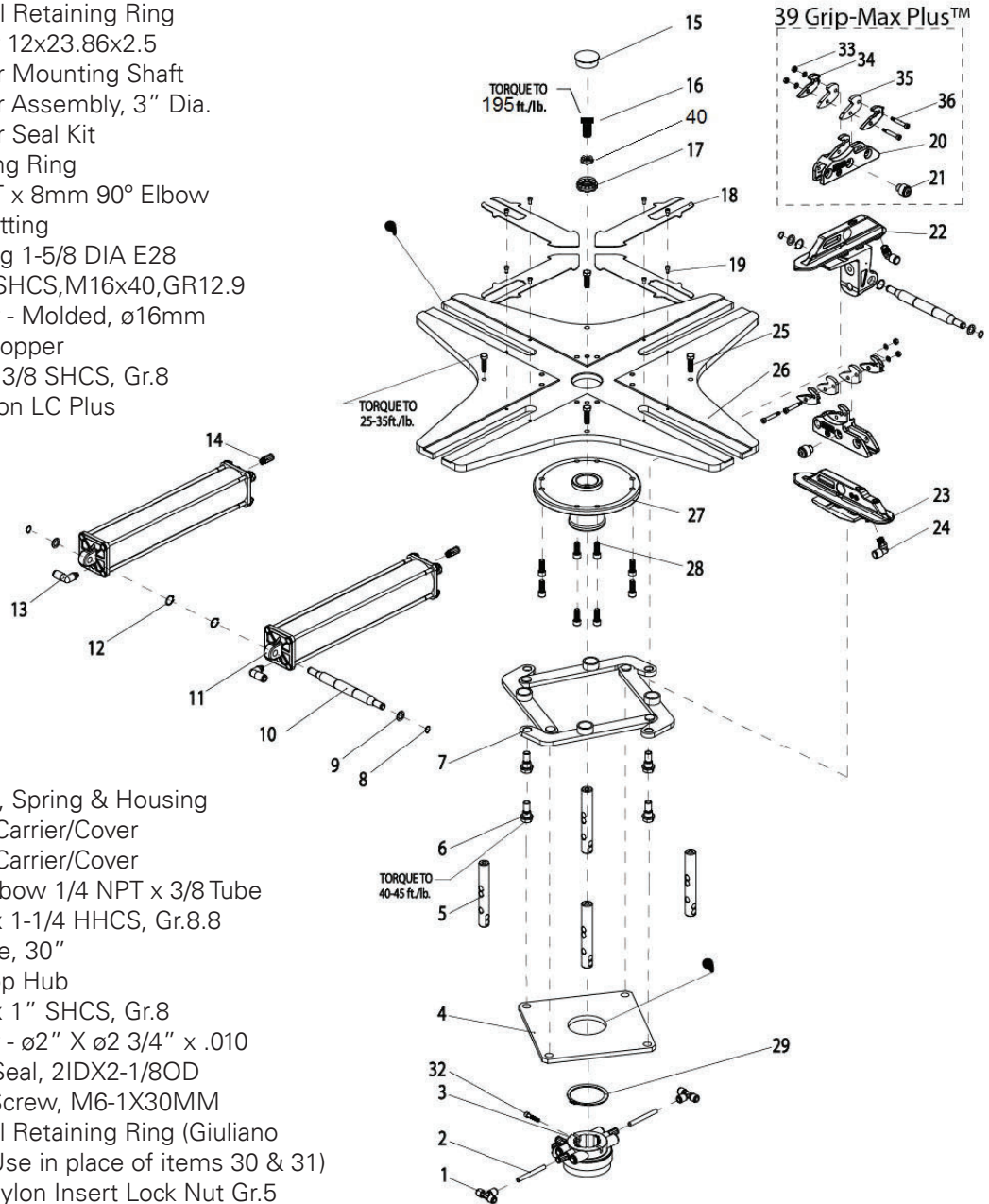
Item	Part No.	Description
29	8106301	1/4" Hex Hd Self Tap Screw, Gr.5
30	8181989	10-24 x 3/8 SHCS, Gr.8
31	8182001	10-24 x 3/4 SHCS
32	8181695	Cam Mounting Block
41	***	Tilt Tower Pedal Valve Assembly
42	***	Table Top Clamp Pedal Valve Assy
43	***	Air Motor Pedal Valve Assembly
44	85009982	Spacer-Valve, Clamp TT
45	83015371	5/16-18 x 1/2 SHSHS Screw
46	85608195	Pivot Link
47	8184675	Oil Injector Assembly
48	85608560	Block-Lower Stop Pedal
49	8181982	3MM x 12mm HHCS Gr.5

Item	Part No.	Description
50	8301072	#6 Internal Tooth Lk Washer
51	8182958	Reversing Switch Pkg.
	81827336	Switch Assembly, 120V 60Hz
	81827337	Switch Assembly, CSA ONLY
	81827339	Switch Assembly, 220V, 50Hz
52	8181728	Lever - Switch Actuator
53	8181983	10-24 x 3/4 Lg. BHSCS
55	8181959	Switch Cover
56	85007776	Circuit Breaker - 220 V 50Hz
	8184376	Circuit Breaker - 25 AMP
59	8103737	Release Valve

*** Valve Assemblies (available only as individual components, see pgs. 22 - 23)

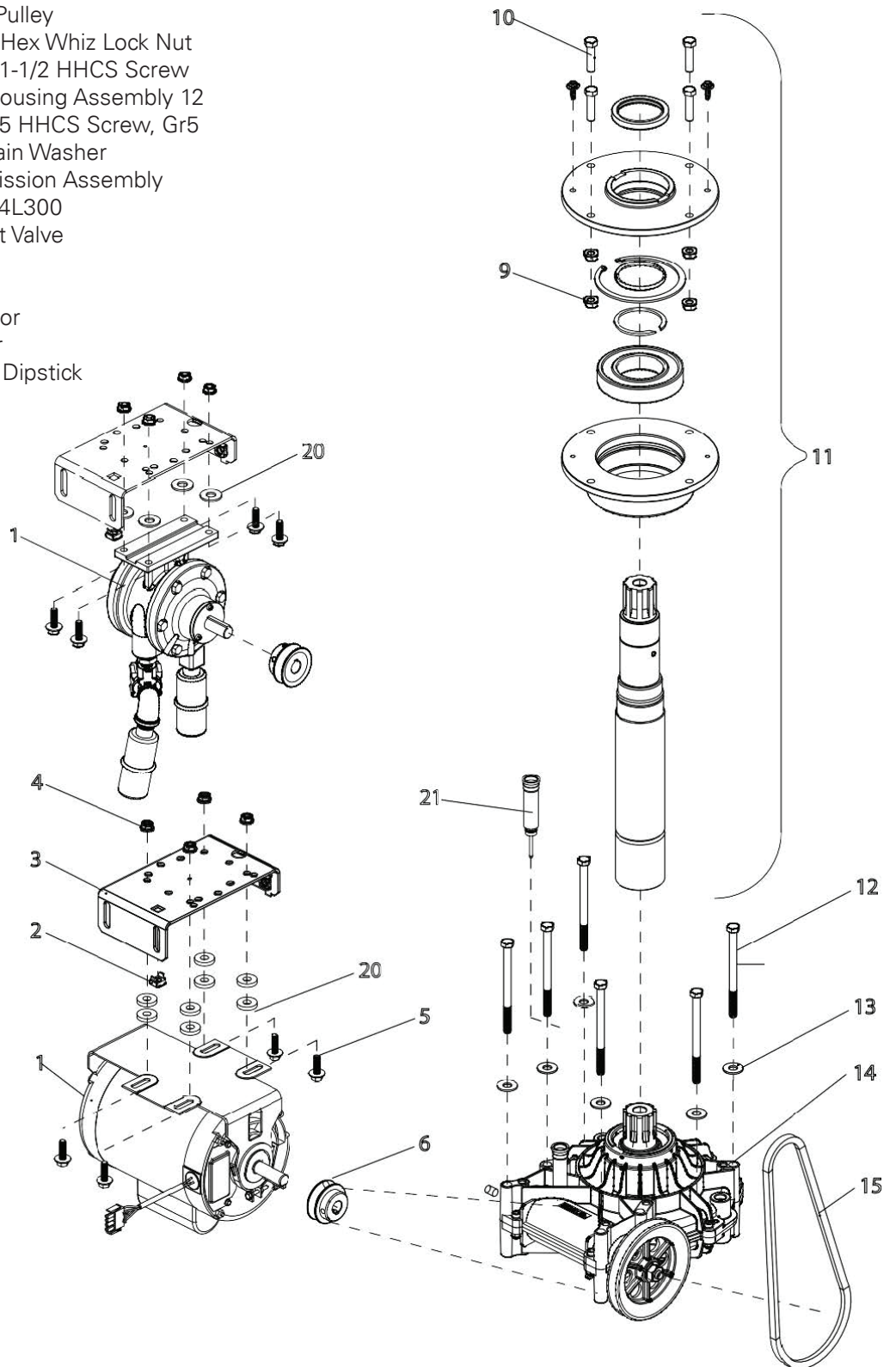
Table Top Assembly

Item	Part No.	Description
1	85000084	Union Tee Fitting,8MM
2	85000097	8MM x 3" Tube
3	84298992	Rotating Union
4	8185652	Pivot Plate
5	85000026	T.T. Hose Holder
6	8182279	Adj. Clamp Link Bolt
7	8185688	Pivot Link
8	8185018	External Retaining Ring
9	8185035	Washer 12x23.86x2.5
10	8185678	Cylinder Mounting Shaft
11	8185658	Cylinder Assembly, 3" Dia.
	85606409	Cylinder Seal Kit
12	903174	Retaining Ring
13	85000088	1/8 NPT x 8mm 90° Elbow
14	8185745	8mm Fitting
15	8182627	Cap Plug 1-5/8 DIA E28
16	85611050	Screw-SHCS,M16x40,GR12.9
17	8182979	Washer - Molded, ø16mm
18	8184969	Slide Stopper
19	8181989	10-24 x 3/8 SHCS, Gr.8
20	85607159	3 Position LC Plus
21	8182250	Plunger, Spring & Housing
22	8185679	Clamp Carrier/Cover
23	85000761	Clamp Carrier/Cover
24	85000342	Male Elbow 1/4 NPT x 3/8 Tube
25	8107715	3/8-16 x 1-1/4 HHCS, Gr.8.8
26	8185646	T.T. Plate, 30"
27	8185687	Table Top Hub
28	8181929	3/8-16 x 1" SHCS, Gr.8
30	*8183156	Washer - ø2" X ø2 3/4" x .010
31	*85000767	O-ring Seal, 2IDX2-1/8OD
32	940689	SHCS Screw, M6-1X30MM
29	85000024	External Retaining Ring (Giuliano Only - Use in place of items 30 & 31)
33	8182682	10-24 Nylon Insert Lock Nut Gr.5
34	85607160	3 Position LC Cover Plus (with points)
	85607429	3 Position LC Cover Plus (without points)
35	85607161	Laminated Clamp Plus Grip
36	85000610	Shoulder Screw, 1/4 x 1-1/4 x #10-24
37	85000763	Y-fitting, 3/4 Barb x 12MM Hose
38	*85606409	Table Top Cylinder Seal Kit (Piston, O-rings, Scraper)
39	85607787	Grip Max Plus™ LC, Pack of 4
	85607786	Grip Max Plus™ LC (external), Pack of 4
40	85611049	Washer-5/8 M16 Lckng Pr



Shaft Housing Assembly

Item	Part No.	Description
1	85000287	Motor, 2 HP, 110V, 60Hz
	8181190	Air Motor, Gast. 6A
	85000825	Motor, 220V, 50Hz
2	8143044	Tinnerman Sq. Captive Nut 3/8-16
3	8184859	Motor Bracket
4	8182178	Whiz Lock Nut
5	8120325	5/16 x 1.00 Serrated Washer Hd. Screw
6	8181204	Motor Pulley
9	8106303	3/8-16, Hex Whiz Lock Nut
10	85009161	3/8-16x1-1/2 HHCS Screw
11	8185513	Shaft Housing Assembly 12
12	85000237	3/8-16x5 HHCS Screw, Gr5
13	8301032	3/8" Plain Washer
14	85607709	Transmission Assembly
15	85000118	V Belt, 4L300
16	85606398	Exhaust Valve
17	85606685	Elbow
18	8181206	Muffler
19	85607586	Capacitor
20	8000240	Washer
21	8182186	Tube & Dipstick



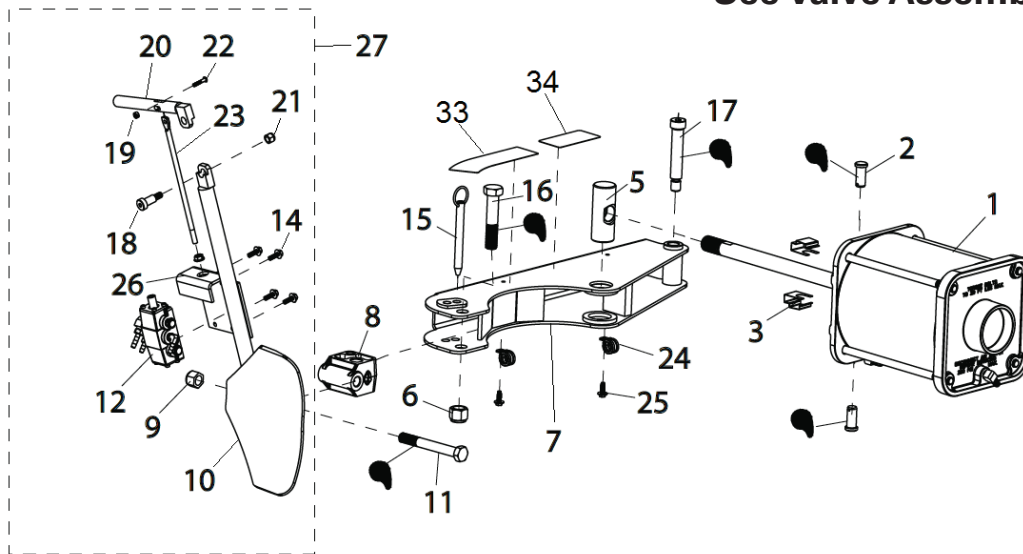
BL Arm Assembly

Item	Part No.	Description	Item	Part No.	Description
1	**	B.L. Arm Cylinder Assembly	19	8182682	10-24 Nylon Insert Lock Nut Gr.5
2	8181949	5/8 x 1-3/8 Clevis Pin	20	85610228	B.L. Lever Assembly
3	8181912	Clevis Clip	21	8301035	3/8-16 Hex Nyloc Nut
5	85607837	B.L. Cylinder Rod Pivot Pin	22	925757	10/24 x 1" HHCS Screw
6	8182016	3/4"-10 Nylon Insert Lock Nut, Gr.5	23	85608037	Lever Link
7	8182002	B.L. Arm	24	8182044	Neoprene Cushion Clamp
8	8181951	B.L. Shoe Pivot Bracket	25	8106301	1/4" Hex Hd Self Tap Screw, Gr.5
9	8182043	5/8-11 Nylon Insert Lock Nut Gr.5	26	8182178	5/16-18 Whiz Lock Nut
10	85608042	Bead Loosener Assembly	27	85608286	B.L. Shoe Assembly, APX
11	8182011	5/8-11 x 5" Hex Hd Cap Scr, Gr.5	28	85608569	Heim Joint
12	85608033	B.L. Arm Valve Assembly	29	8182457	Washer
	8185755	B.L. Arm Valve Assy (old style)	30	85608567	Spacer
14	8143168	1/4-20 x 3/4 Whiz Lock Screw	31	85608566	Spacer
15	8120326	Hitch Pin, ϕ 1/2"	32	8182579	Screw
16	8182009	3/4-10 x 3 3/4" HHCS	33	8181970	Decal-Pstn, Shoe, B/L
17	85608582	3/4x3 1/2 SHSHS Screw	34	85611207	Decal-Ctn, Arm, B/L
18	8185558	Shoulder Screw			

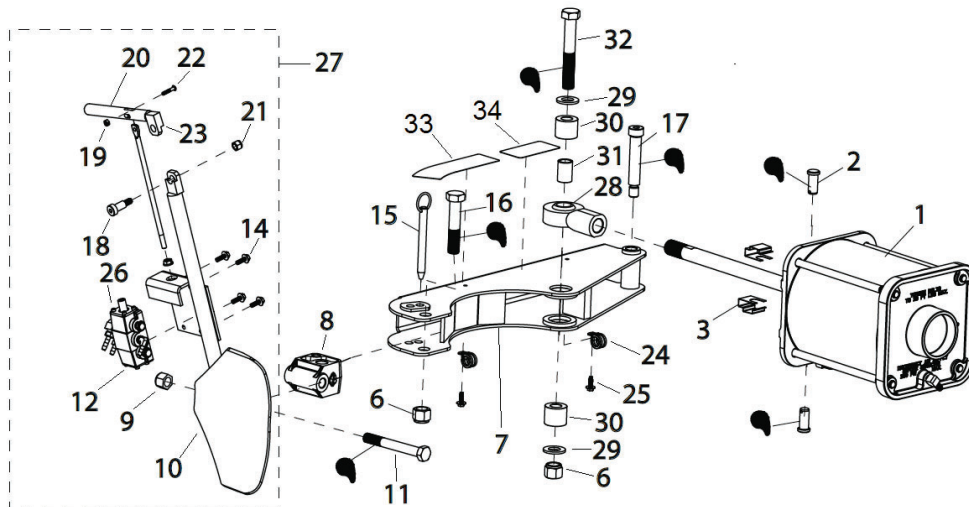
**** See Cylinder Assemblies pgs. 20 - 21**

***** See Valve Assemblies pgs. 22 - 23**

Bead Loosener Pivot Pin Style

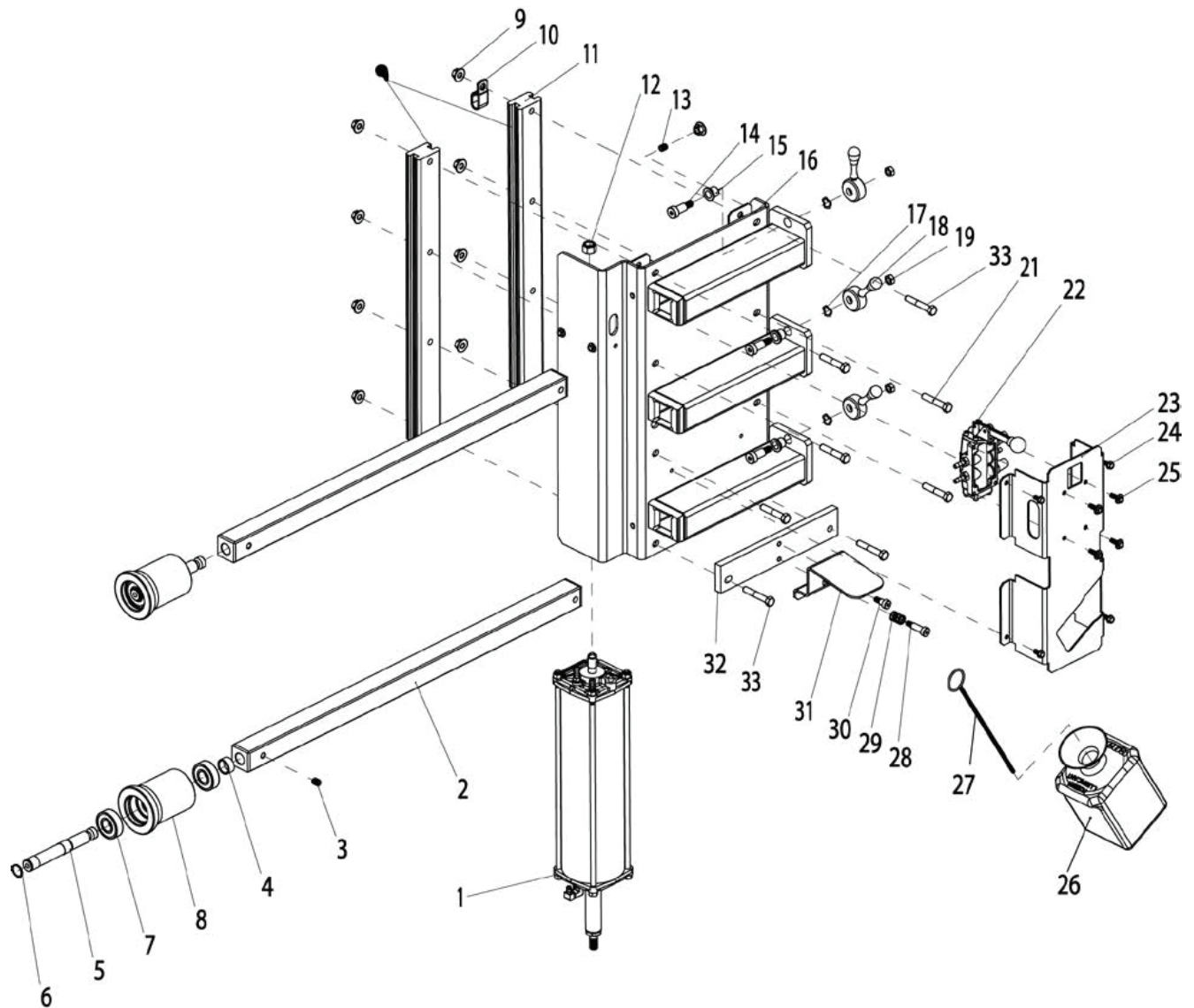


Bead Loosener Rod End Style



 Apply Grease To These Locations

Horizontal Slide Assembly

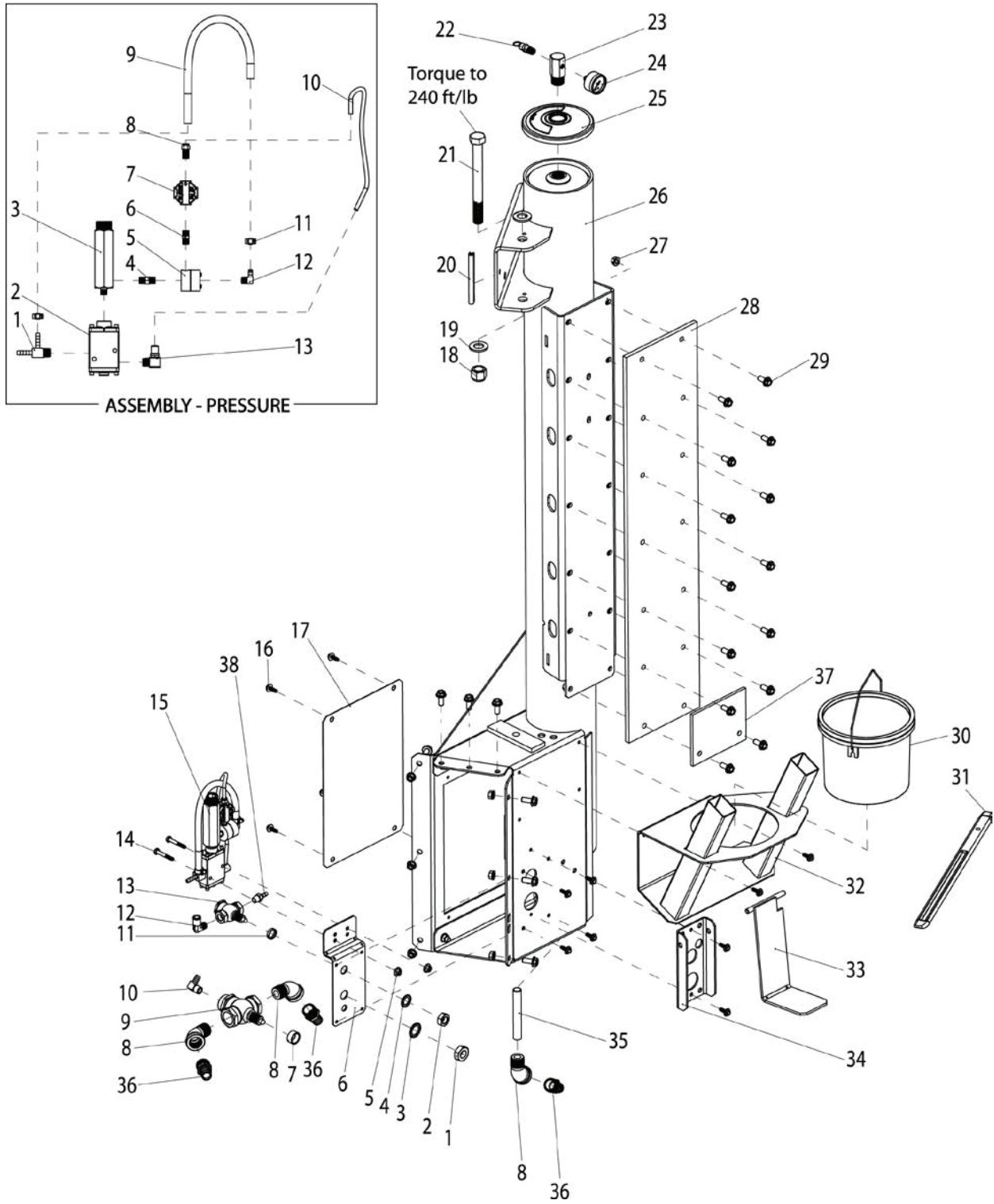


Item	Part No.	Description
1	***	Hor. Slide Cylinder Assembly
2	8185564	Horz. Slide Shaft
3	8130026	3/8-16 x 1/2 SHSS Screw
4	8104674	Bushing (3/4" Valve)
5	8185566	2-1/4" Dia. Roller Shaft
6	8185550	Ext. Retaining Ring 5100-78
7	920861	Bearing, 20 x 47 x 14
8	8185572	Roller, 2-3/4" x 4"
9	8120424	3/8"-16 Wash Hd. Lock Nut Gr.5
10	8103794	Hose Retainer Clamp
11	8184837	Long Guide Gib
12	8301122	1/2-13, Nylock Hex Nut, Zinc
13	8130026	3/8-16 x 1/2 SHSSCP Screw
14	8185558	Shoulder Screw
15	8185555	Flanged Bushing
16	8184866	Horizontal Slide
17	8185553	Wave Spring Washer
18	8185562	Lock Cam, w/Handle Assembly
19	8000516	3/8-16" Hex Lock Nut
20	85000421	3/8-16X x 2-1/2 Screw

Item	Part No.	Description
21	906101	3/8-16 x 2" HHCS Screw
22	***	Hor. Slide Valve Assembly
23	8185520	Valve/Lube Mounting Bracket
24	8143844	1/4-20 x 500 HWHST Screw
25	8106301	1/4" Hex Hd Self Tap Screw, Gr.5
26	8106259	Lube Bottle (Red)
27	8000491	Lube Applicator
28	85000420	Shoulder Bolt
29	929195	Compression Spring
30	8301016	Shoulder Bolt
31	85000418	Vertical Slide Stop Lever
32	85000419	Stop Lever Bracket
33	8181137	Screw, 3/8-16 x 2.25 HHCS

**** See Cylinder Assemblies pgs. 20 - 21**
***** See Valve Assemblies pgs. 22 - 23**

Pressure & Inflation Bracket Assemblies

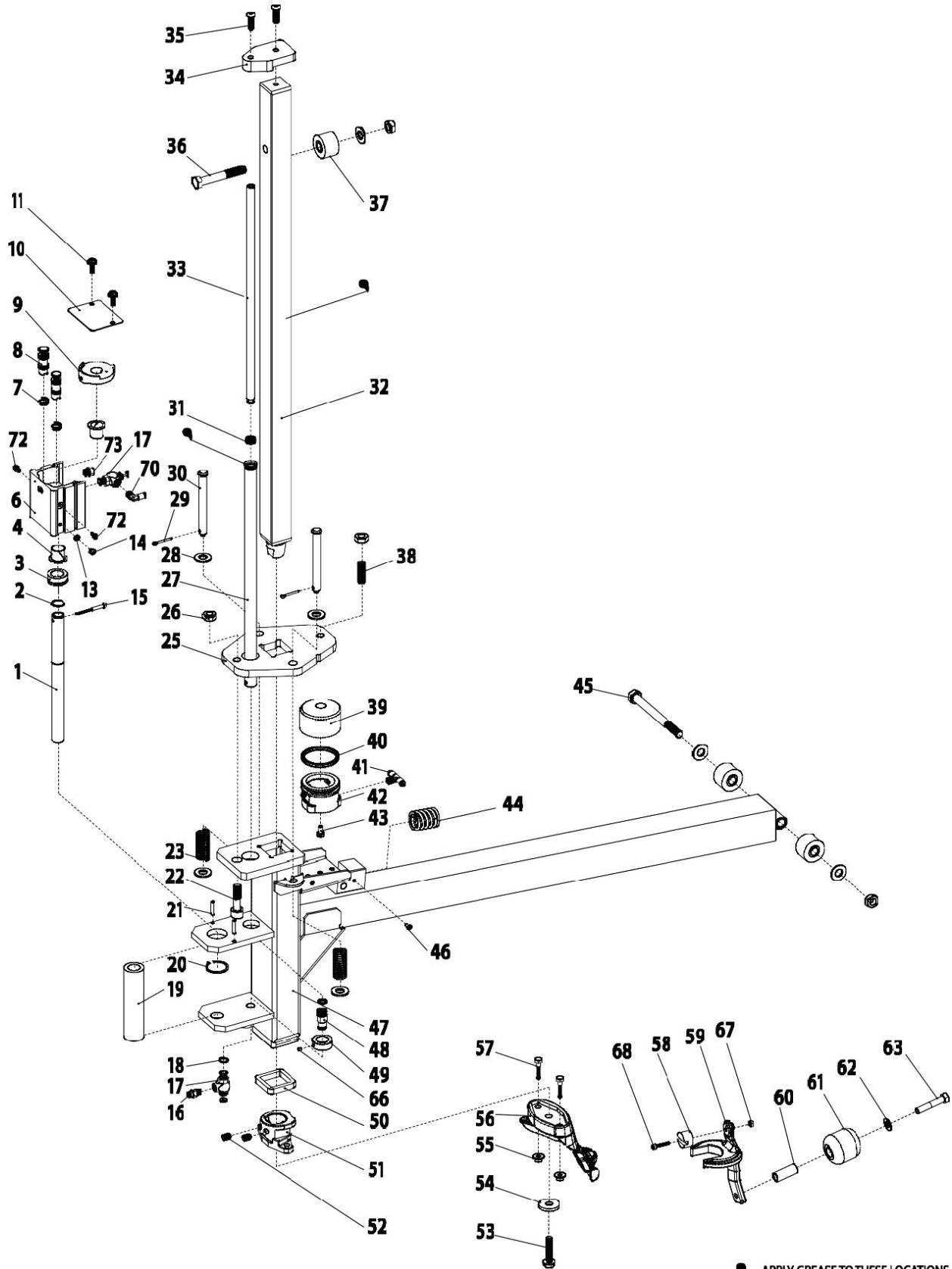


Inflation Bracket Assembly

Item	Part No.	Description
1	8104610	3/4" N.F. Jam Nut Gr.5
2	8104611	5/8" N.F. Jam Nut Gr.5
3	8104612	3/4" Ext. Tooth Lock Washer
4	8104613	5/8" Ext. Tooth Lock Washer
5	8143169	1/4-20 Whiz Lock Nut, Gr.5
6	8185664	Inflation Bracket
7	8104674	Bushing (3/4" Valve)
8	85000103	3/4NPT ELL Fitting, 45D
9	8106298	3/4" Valve Ported 1/4"-18 NPT
10	8184256	1/4NPT, 1/4HSE" ELL Fitting
11	8104673	Bushing (1/4" Valve)
12	8181998	Male Elbow 1/4 NPT x 3/8 Tube
13	8104600	1/4" Valve Comp.
14	8120408	1/4-20 x 1-3/4 H.H. Cap Scr., Gr.5
15	8185666	Pressure Assembly, 60 PSI
	*85000847	Pressure Assembly, 15 PSI
16	8106301	1/4" Hex Hd Self Tap Screw, Gr.5
17	8185534	Tower Auxillary Side Cover
18	8182016	3/4"-10 Gr.5 Nylon Insert Lock Nut
19	8182457	Washer, 3/4" SAE
20	85000199	Arm Stop Trim Strip, APX 90
21	8181172	3/4-10 x 7-1/2 HHCS, Gr.5
22	8182599	Safety Valve
23	8109784	Manifold/Gauge Protector
24	8108968	Air Gauge
25	8182458	Plastic Cap (Tower)
26	8184851	Auxillary Tower Support Assembly
27	8106303	Whiz Lock Nut, Gr.5
28	8184868	Vertical Slide Plate
29	8106302	3/8" Whiz Lock Screw, Gr.5
30	8183785	Universal Mounting Paste
31	8181354	Lift Tool
32	8184912	Tool/Lube Holder
33	8184856	Pedal w/Bar Assembly
34	8184885	Inflation Pedal Channel
35	8106188	Strainer Screen
36	8104573	Fitting, Straight-3/4"
37	85000417	Vertical Slide Stop Block
38	8000378	1/4" Brass St. Fitting
39	8143844	1/4-20 x 500 HWHST Screw
40	7110070	3/8-16 x 0.250 Whiz Bolt
41	8120424	3/8-16 Washer Head Hex Lock Nut

**** Important: For models with "Bead Sealing Only" on the tire changer, use pressure limiter 85000847.**

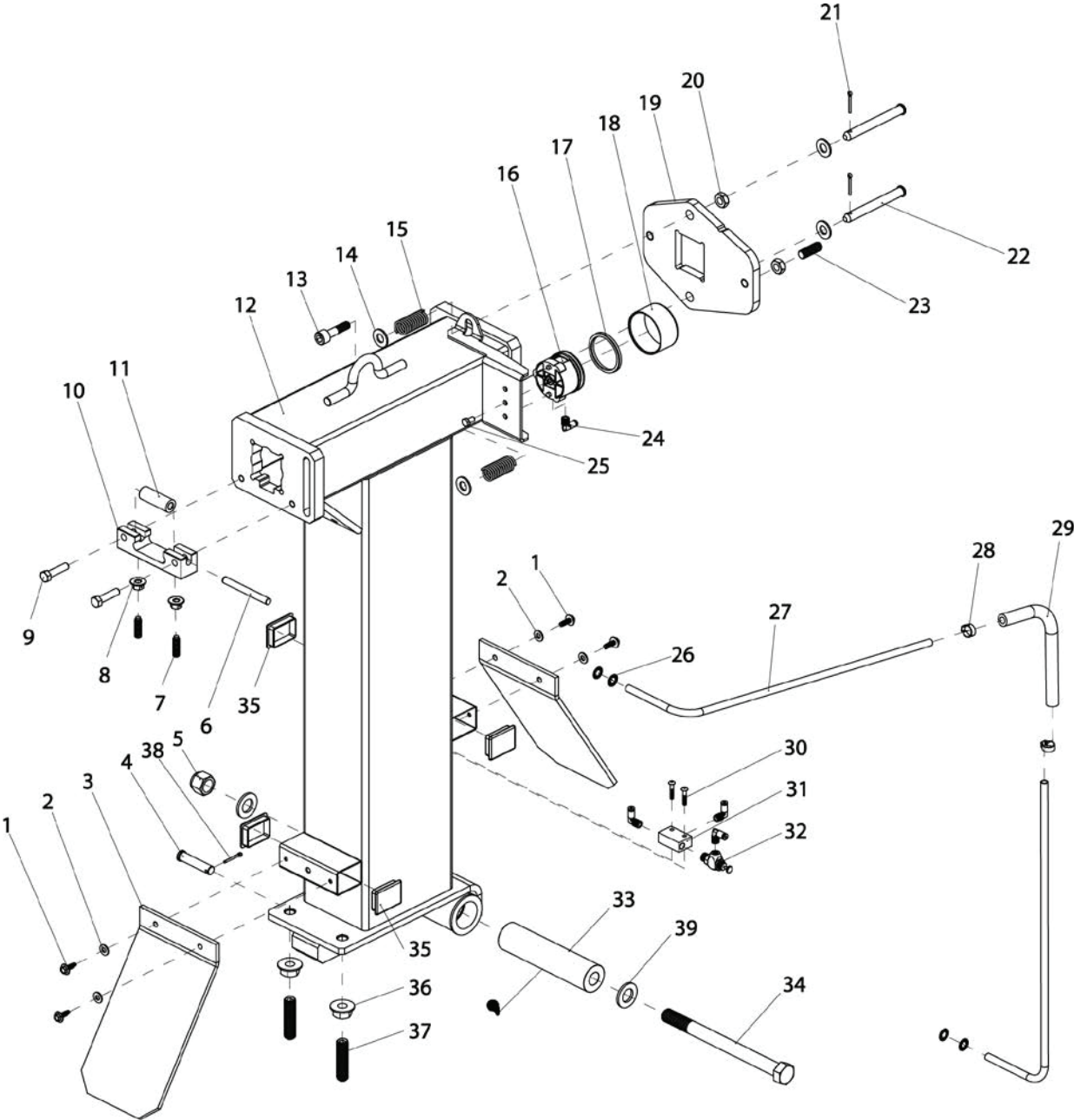
Tilt Tower Assembly 1



Tilt Tower Assembly 1

Item	Part No.	Description	Item	Part No.	Description
1	8185713	Tilt Tower Handle	41	85000045	1/8PTC x 1/8PT" Tee Fitting
2	903174	Retaining Ring	42	8181781	Lock Cylinder Slide Base
3	8185725	Tilt Tower Valve Bushing	43	902189	1/4-20 x.504 HHCS
4	8106007	3/4" Nylinder Bearing	44	85000285	Pressure Spring, MDM/HGH
6	85000320	Vertical Slide Valve Housing Assy	45	8183142	1/2-13 x 5 1/2" Screw
7	8182318_1	Compression Spring	46	920615	SBHCS Screw
8	8182317	Miniature Valve	47	8185705	Horizontal Slide Assembly
9	85000003	Vertical Slide Valve Cam	48	8185720	Base Lift Cylinder Tube
10	85000010	Left Vertical Valve Cover	49	8185721	Lock Lift Cylinder Tube
11	8106301	1/4" Hex Hd Self Tap Screw, Gr.5	50	8182031	Rubber Bumper
13	8182779	M10 Nylon 6/6 Washer	51	8185771	Mount Duckhead
14	8182364	10-32 x 1/4" Long, SBHCS	52	8130026	3/8-16 x 1/2 SHSS Screw
15	85000239	SHCS 10-24x2" Screw	53	85000283	3/8-16 x 1-3/4 Hex Hd Cap Screw
16	8181996	1/8 NPT x 1/8 St. Male Fitting	55	8143169	1/4-20 Whiz Lock Nut, Gr.5
17	85000038	Central Flow Valve	56	83008403	Mount/Demount Head
18	8181979	Retaining Ring	57	8120321	1/4-20 1-1/4 HHCS
19	85000015	Foam Handle Grip	58	85000016	Robo Roller Magnet
20	8100964	1.250" Ext Retaining Ring	59	8185769	Robo Roller Bracket
21	929181	3/16 x 5/16 Lg. Roll Pin	60	8183663	Roller Spacer
22	8181740	1/2-13 x 1-3/4, SHCS Gr.8	61	8183664	Roller
23	8185726	Compression Spring	62	8112310	Plain Washer
25	8185761	Vertical Slide Lock Plate	63	906101	3/8-16 x 2.00 HHCS Screw
26	8181113	1/2"-13 Jam Nut	65	8185256	O-Ring Seal
27	8185722	Lift Cylinder Tube	66	903180	10/24 x 3/8 Cup Point Set Screw
28	903214	1/2" Flat Washer	67	8182682	10-24 Nylon Insert Lock Nut Gr.5
29	8102278	1/8 x 1" Cotter Pin	68	906353	SHC Screw
30	8111148	Clevis Pin	70	8181997	90° Elbow 1/8 NPT x 1/8" Fitting
31	8185734	Lift Cylinder Pistion Seal	72	85000734	10-32 x 3/16, SHCS
32	8185728	Vertical Slide Shaft	73	85610002	1/8 NPT x 1 Straight Fitting
33	8185729	Lift Cylinder Shaft			
34	8185730	Vertical Slide Cap			
35	8181181	Button Hd. Soc. Screw			
36	8140730	1/2-13 x 3 1/4 HHC Screw			
37	8309008	Hood Stop Molding			
38	8185723	1/2-13 x 1 1/2 Set Screw			
39	8181780	Lock Cylinder Slide Cap			
40	8181785	Lock Cylinder Slide Seal			

Tilt Tower Assembly 2

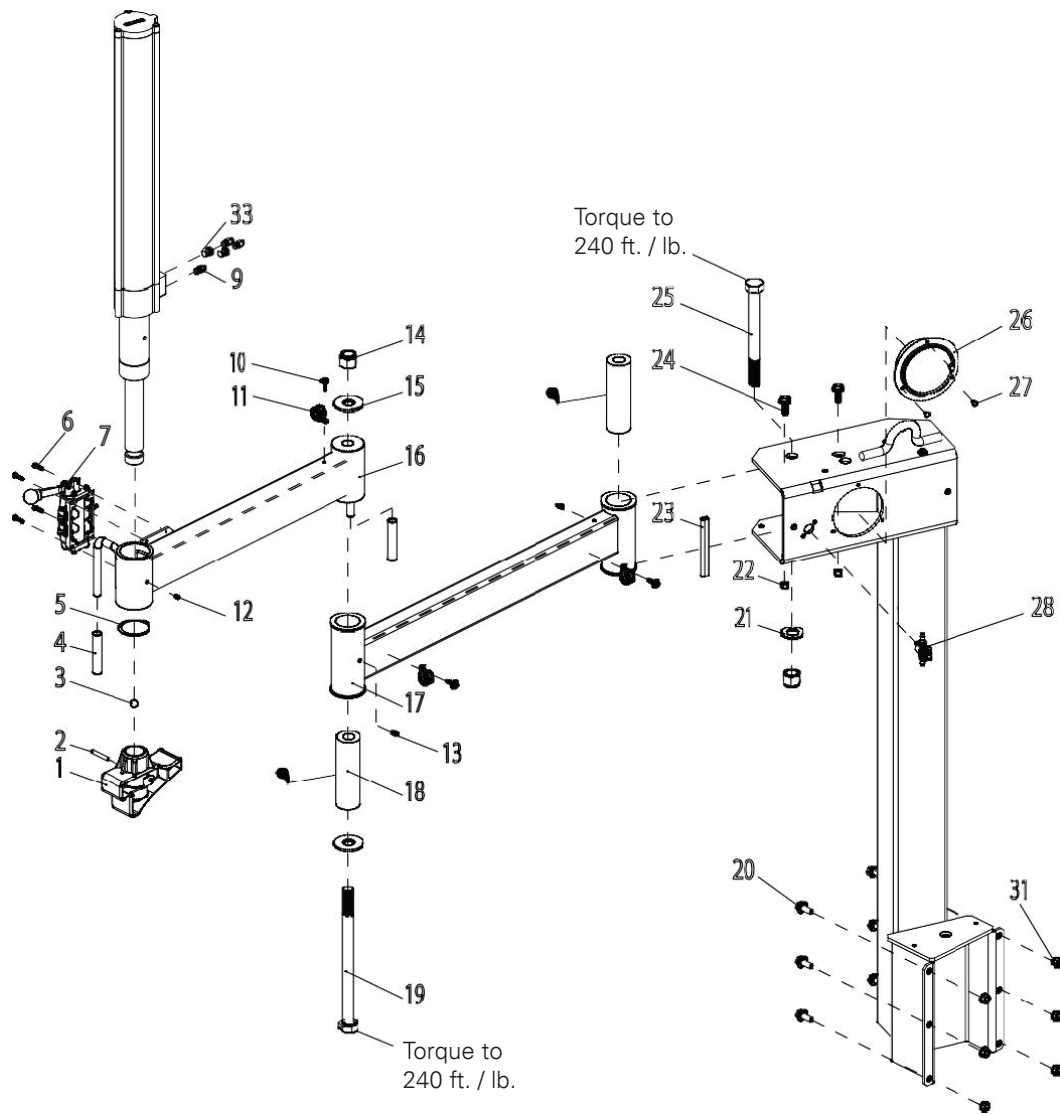


● APPLY GREASE TO THESE LOCATIONS

Tilt Tower Assembly 2

Item	Part No.	Description
1	8106301	1/4" Hex Hd Self Tap Screw, Gr.5
2	8113921	1/4" Flat Washer
3	85000099	Rubber Tilt Tower Cover
4	8120129	1/2 x 2-1/4 Clevis Pin
5	8182016	3/4-10 UNC Lock Nut
6	8185747	3/8" x 3.5" Dowel Pin
7	8185749	3/8-16 x 1 1/4" Set Screw
8	8120424	3/8"-16 Wash Hd. Lock Nut Gr.5
9	85000283	3/8 - 16 x 1-3/4 HWHCS Screw
10	8185746	Horiz. Slide Roller Block
11	8185748	Horiz. Slide Roller Shaft
12	8185702	Tilt Tower Housing
13	8181740	1/2-13 x 1-3/4 SHCS, Gr.8
14	903214	1/2" Flat Washer
15	8185726	Compression Spring
16	8181781	Lock Cylinder Slide Base
17	8181785	Lock Cylinder Slide Seal
18	8181780	Lock Cylinder Slide Cap
19	8185762	Horiz. Slide Lock Plate
20	8181113	3/4"-13 Jam Nut, Gr. 5
21	8102278	1/8 x 1" Cotter Pin
22	8111148	Clevis Pin
23	8185723	1/2-13 x 1 1/2 Set Screw
24	8181997	90° Elbow 1/8 NPT x 1/8" Fitting
25	902189	1/4-20 x .504 HHCS
26	85000053	3/8" Push On Retaining Ring
27	85000043	Formed Protector Tube
28	85000055	3/8 Hose Clamp
29	85000054	3/8" x 10" Black Rubber Hose
30	85000047	10/24 x 1" HHCS Screw
31	85000036	Shuttle Valve
32	85000038	Flow Control Valve
33	8185753	Tilt Tower Pivot
34	8182126	Hex Head Bolt
35	85000098	Plastic Plug
36	8120055	5/8-11 Hex Whiz Lock Nut
37	8109770	5/8-11 SHSSCP Screw
38	8102278	1/8 x 1" Cotter Pin
39	8182457	3/4" SAE Washer

Robo Arm Assembly

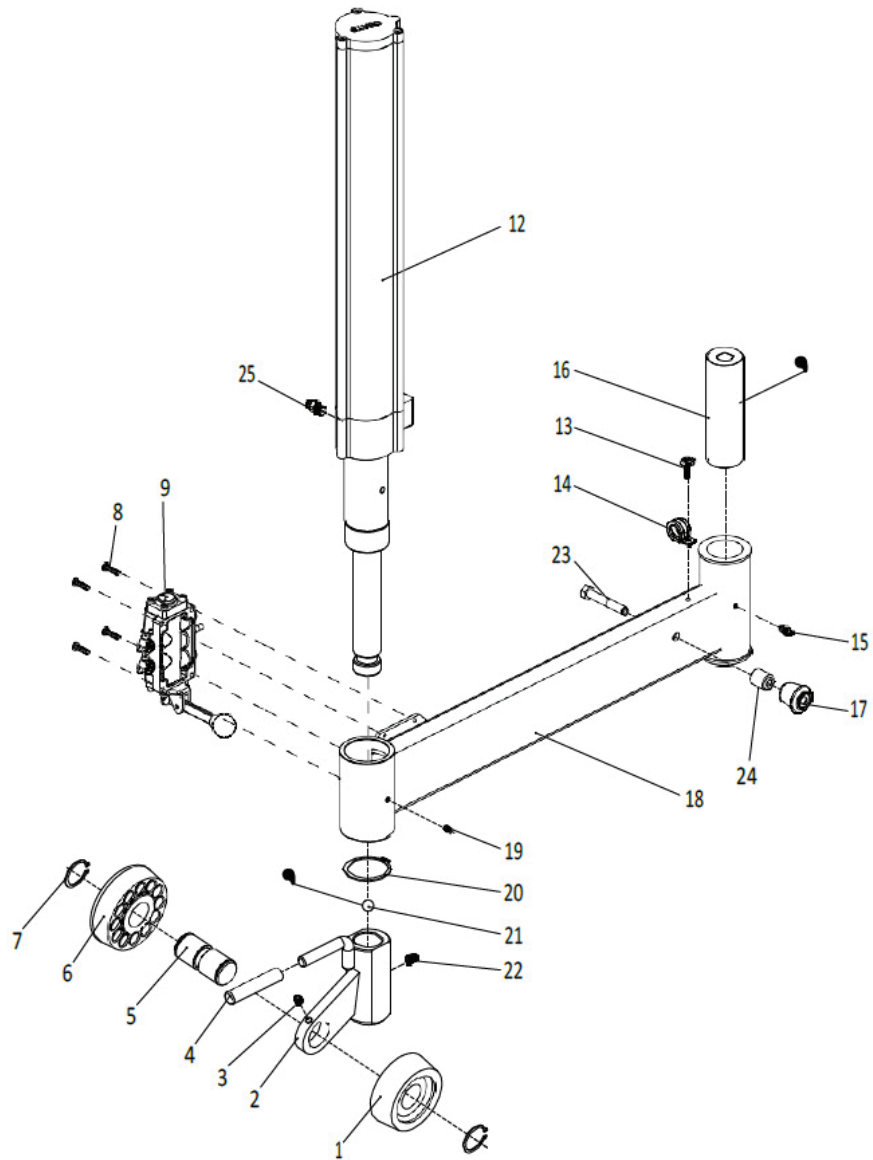


Robo Arm Assembly

Item	Part No.	Description
1	8183641	Helper Arm Hold Down Foot
2	905563	ø1/4" x 1-1/2" Roll Pin
3	8301017	ø1/2, Steel Ball
4	7000230	Rubber Hand Grip, 1/2
5	8183637	Ext. Retaining Ring, ø2
6	8182001	10-24 x 3/4 Lg. Screw SHCS
7	***	Robo Arm Valve Assembly
8	85608884	Cylinder Assembly 2.5" Diameter
9	8181996	1/8 NPT x 1/8 St. Male Fitting
10	8106301	1/4" Hex Hd Self Tap Screw, Gr.5
11	8182044	Neoprene Cushion Clamp
12	85610656	1/4-20 x 5/16" Soc Hd Set Screw
13	8184226	Grease Fitting, St.
14	8182016	3/4"-10 Nylon Insert Lock Nut, Gr.5
15	8100994	Flat Washer, 3/4"
16	8184905	Front Arm Weldment
17	8184904	Rear Arm Weldment
18	8181038	Swing Arm Pivot Pin

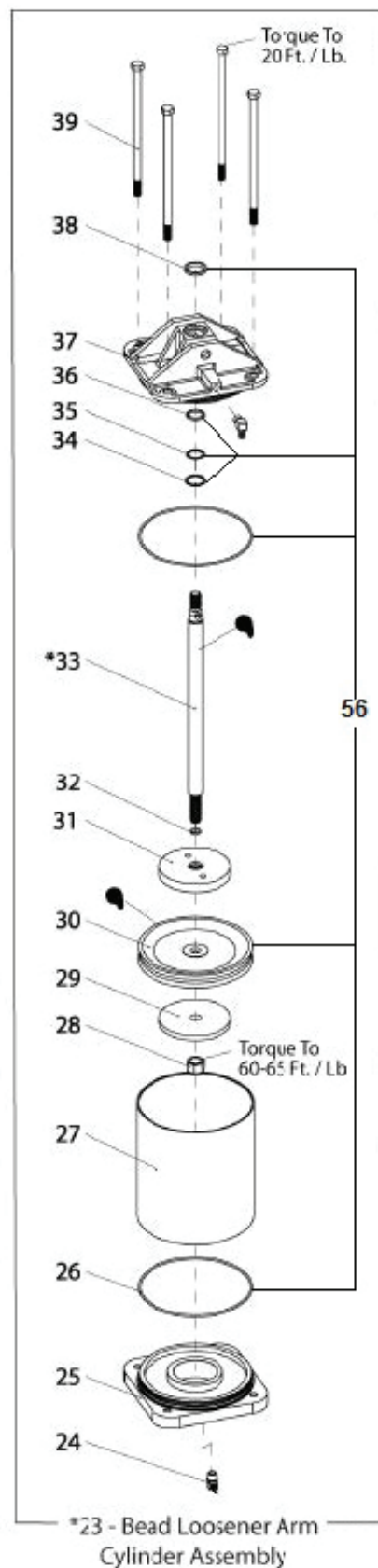
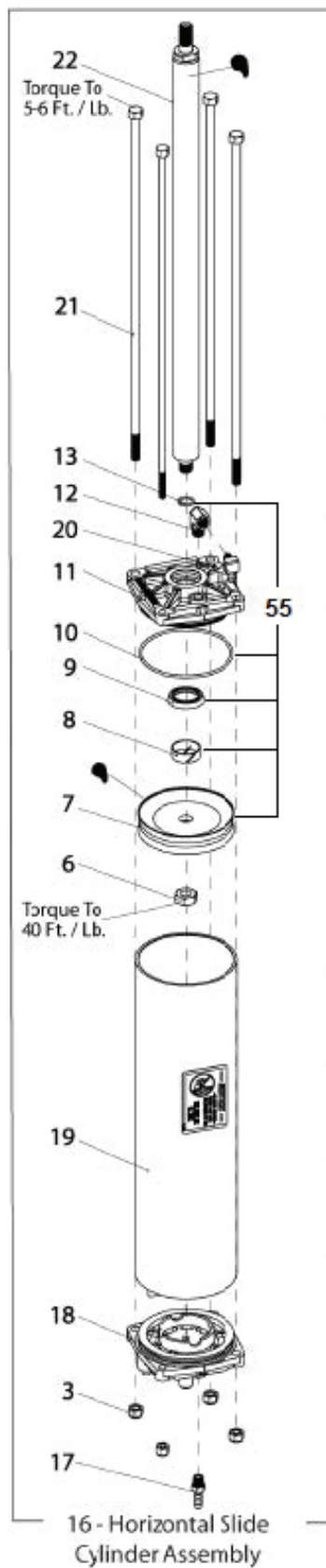
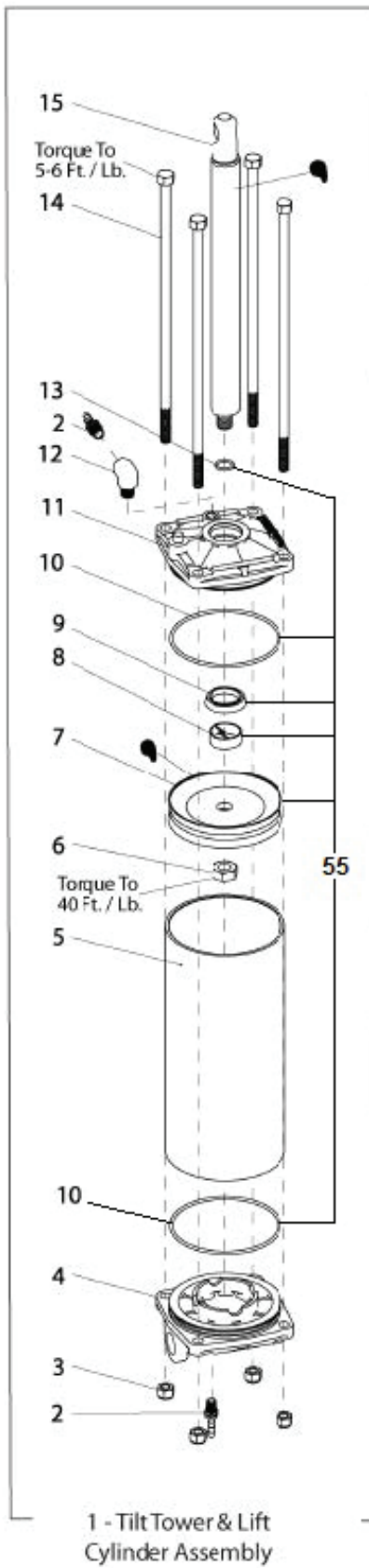
Item	Part No.	Description
19	8183703	3/4-10 x 10-1/2" HHCS, Gr5
20	8106302	3/8" Whiz Lock Screw, Gr.5
21	8182457	3/4" SAE Washer
22	8181183	5/16-18 Nylon Insert Lock Nut Gr.5
23	85000199	Arm Stop Trim Strip, APX 90
24	8120325	5/16 x 1.00 Serrated Washer Hd Scr
25	8181172	3/4-10 x 7-1/2 HHCS, Gr.5
26	8107980	Air Gauge Flange Mounting
27	8107983	Plastic Fastener
28	8183502	Manifold Bleed Valve Assembly
31	8106303	Whiz Lock Nut, Gr.5
33	8109481	1/4 NPT x 1/8 NPT RDCR Fitting

Robo Roller Arm Assembly (If equipped)



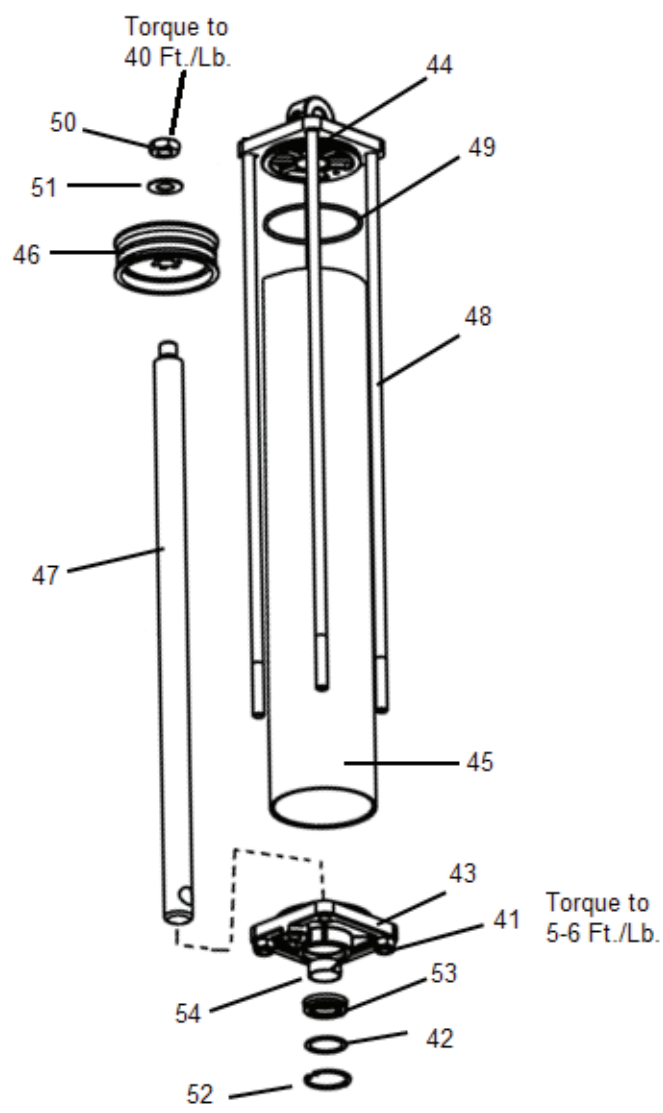
Item	Part No.	Description	Item	Part No.	Description
1	8185593	Aux Arm Small Roller	15	8184226	Grease Fitting, St.
2	8185597	HOUSING/BRACKET W/C	16	8181038	Swing Arm Pivot Pin
3	8180217	5/16-18 x 3/8" SHSS, Gr.5	17	8185601	3/4 ID Bumper
4	7000230	Rubber Hand Grip, 1/2	18	8184941	Aux Arm Weldment
5	8185594	Aux Roller Shaft	19	8183649	1/4-20 x 5/16" Soc Hd Set Screw
6	8185592	Aux Arm Large Roller	20	8183637	Ext. Retaining Ring, $\varnothing 2$
7	8100964	1.250" Ext Retaining Ring	21	8301017	$\varnothing 1/2$, Steel Ball
8	8182001	10-24 x 3/4 Lg. Screw SHCS	22	8130026	3/8-16 x 1/2 SHSS Screw
9	***	Aux Arm Valve Assembly	23	8181137	3/8-16 x 2-1/4 Hex Hd.Cap Scr, Gr.5
10	8181996	1/8 NPT x 1/8 St. Male Fitting	24	8185539	Aux Arm Block Stop
12	85608884	Cyl. Assem. 2" Dia. x18" Stroke	25	8109481	1/4 NPT x 1/8 NPT RDCR Fitting
13	8106301	1/4" Hex Hd Self Tap Screw, Gr.5			
14	8182044	Neoprene Cushion Clamp			

Cylinder Assemblies



* Note: Not the same one found on 7000 Series Rim Clamp

Cylinder Assemblies

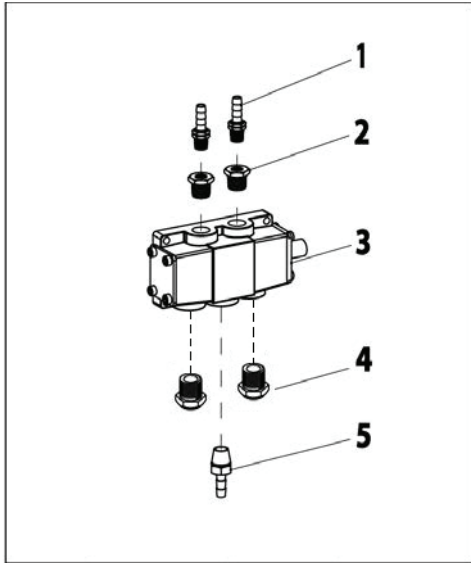


**40 - Table Top
Cylinder Assembly**

Item	Part No.	Description
18	8181622	Cylinder Bottom Cap
19	8184891	Cylinder Sleeve
20	8110497	Male Elbow 1/8 NPT x 1/4 Hose
21	8184890	Clamping Tie Bolt
22	8184892	Axlrly Cylinder Shaft
23	81833122	B.L. Arm Cyl Assy (Pivot Pin, Old Style)
	81833126	B.L. Arm Cyl Assy (Rod End Style (Heim Joint))
24	8000376	ELL 90° 1/4 Hose Fitting
25	8183310	B.L. Cylinder Bottom Cap
26	8183306	O-Ring Seal
27	8181574	B.L. Cylinder Barrel
28	8182016	3/4"-10 Nylon Insert Lock Nut, Gr.5
29	8181860	B.L. Cylinder Lower Washer
30	8181571	B.L. Cylinder Piston
31	8181863	B.L. Cylinder Upper Washer
32	906766	O-ring Seal
33	81833111	B.L. Cylinder Shaft (Pivot Pin, Old Style)
	8560856801	B.L. Cylinder Shaft (Rod End Style (Heim Joint))
34	8183307	Internal Retaining Ring
35	8183308	1.030 x 1.240 Plain Washer
36	8106835	Rod Seal
37	85609719	B.L. Cylinder Top Cap
38	8106657	Wiper Seal
39	8181862	10-24 Nylon Insert Lock Nut Gr.5
40	8185658	Cylinder Assembly, Table Top
41	8185032	Nut Hex Lock
42	8185033	Shim
43	81856581	Cap-Cylinder Top 3"
44	81856582	Cap-Cylinder Bottom, 3"
45	81856583	Cylinder Sleeve 3"
46	81856584	Piston
47	81856585	Shaft-Piston
48	81856586	Tie Bolt-Cylinder
49	81856588	Seal-O-Ring
50	85606860	Nut-Jam, M12-1.75
51	85607540	Washer-Plain, M12
52	85607667	Retaining Ring - Internal
53	85607669	Seal-Scraper, Cylinder
54	85607972	Bearing-Sleeve, Nyliner
55	8183811	Seal Kit, Table Top Cylinder
56	8182079	Seal Kit, B.L. Cylinder

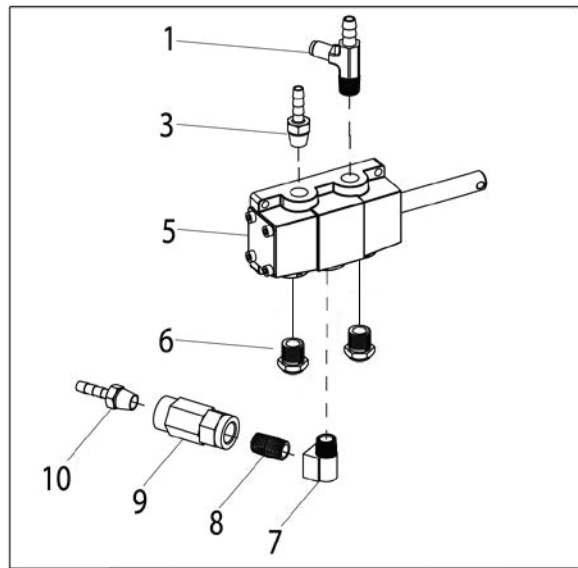
Item	Part No.	Description
1	8184814	Tilt Tower Cylinder Assembly
2	8183369	1/4" Hose Fitting, 1/8" NPT w/Orifice
3	8181183	5/16-18 Nylon Insert Lock Nut Gr.5
4	8181636	Cylinder Base Cap
5	8184803	Cylinder Sleeve
6	8182719	1/2-13 Locking Jam Nut, Gr.5
7	8184525	Piston Washer Assembly
8	8181632	Nylinder Sleeve Bearing
9	8183786	Cylinder Rod Seal
10	8181631	O-ring Seal
11	8181620	Cylinder Top Cap
12	85000332	90° ELL, 1/8-27 NPT Fitting
13	8183772	0.062 x 0.500 x 0.625 O-ring Seal
14	8184815	Cylinder Tie Bolt
15	8184804	Cylinder Shaft
16	8184889	Horizontal Slide Cylinder Assembly
17	8104844	St Fitting 1/8 NPT x 1/4 Hose

Valve Assemblies



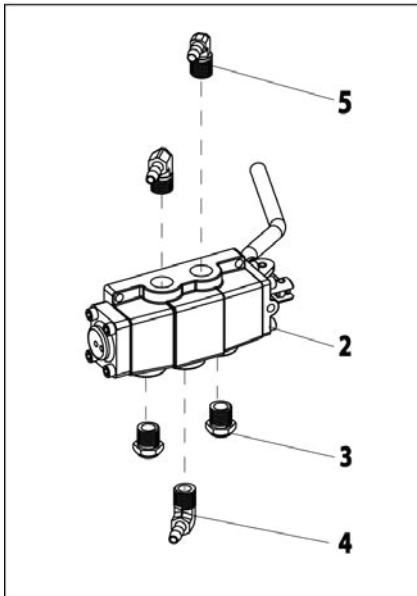
Lift Valve Assembly

Item	Part No.	Description
1	8183369	1/4" Hose Fitting, 1/8" NPT w/Orifice
2	8109481	1/4 NPT x 1/8 NPT RDCR Fitting
3	8184878	4-way Valve, Pedal Operated
4	85607855	Muffler
5	8000378	1/4" Brass St. Fitting



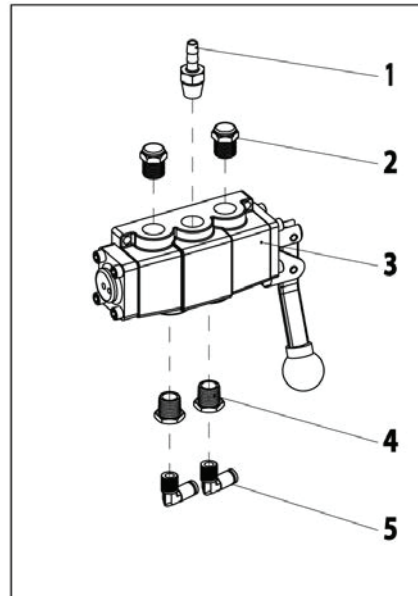
Tilt Tower Pedal Valve Assy

Item	Part No.	Description
1	85000048	1/4 NPT x 1/8 Tube x 1/4 Barb Tee Fitting
3	8000378	1/4" Brass St. Fitting
5	8181986	Valve, 4-Way w/Pull Pin
6	85607855	Muffler
7	8000372	1/4" x 90° Street Ell
8	8000580	Nipple - Close, 1/4 NPT
9	8104969	Check Valve
10	8000376	1/4" NPT, 1/4" HSE Ell Fitting



BL Arm Valve Assembly

Item	Part No.	Description
2	8185581	Valve, 3 Position w/Handle
3	85607855	Muffler
4	8000376	ELL 90° 1/4 Hose Fitting
5	85000286	90° Elbow Fitting, 1/4" x 1/4" Hose



Robo Arm Valve Assembly

Item	Part No.	Description
1	8000378	1/4" Brass St. Fitting
2	85607855	Muffler
3	8185585	Valve, 3 Position
4	8109481	1/4 NPT x 1/8 NPT RDCR Fitting
5	8181997	90° Elbow 1/8 NPT x 1/8" Fitting

Valve Assemblies

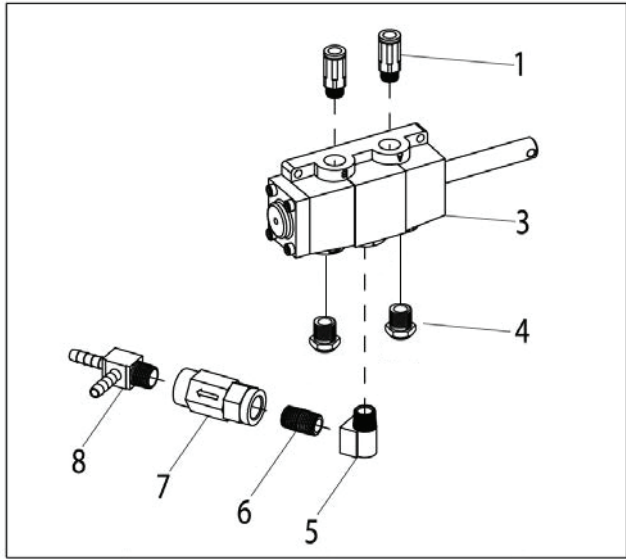
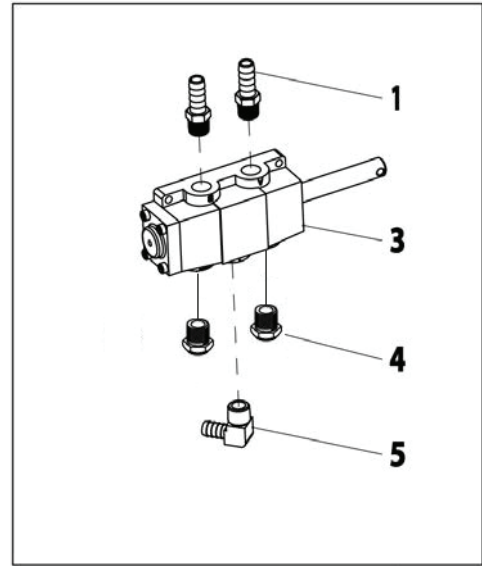


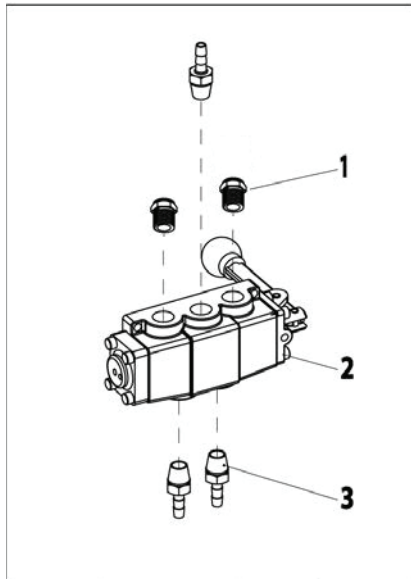
Table Top Clamp Pedal Valve Assy

Item	Part No.	Description
1	8185745	8mm Fitting
3	8184369	Valve, 4-Way w/Pull Pin
4	85607855	Muffler
5	8000372	1/4" x 90° Street Ell
6	8000580	Nipple - Close, 1/4 NPT
7	8104969	Check Valve
8	8110325	1/4" NPT Male Run Tee



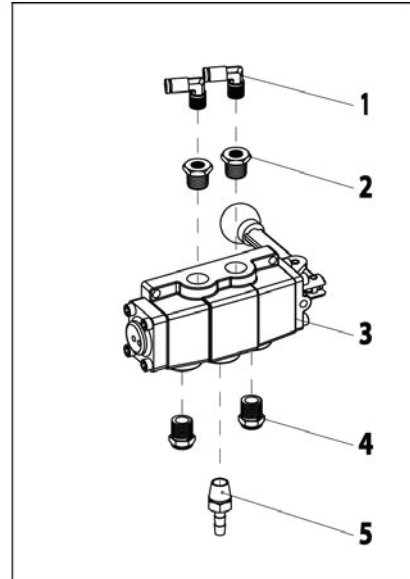
Air Motor Pedal Valve Assy

Item	Part No.	Description
1	8101898	St. 1/4" NPT 3/8" Hose Fitting
3	8184369	Valve, 4-Way w/Pull Pin
4	85607855	Muffler
5	8184256	1/4NPT, 1/4HSE" ELL Fitting



Hor. Slide Valve Assembly

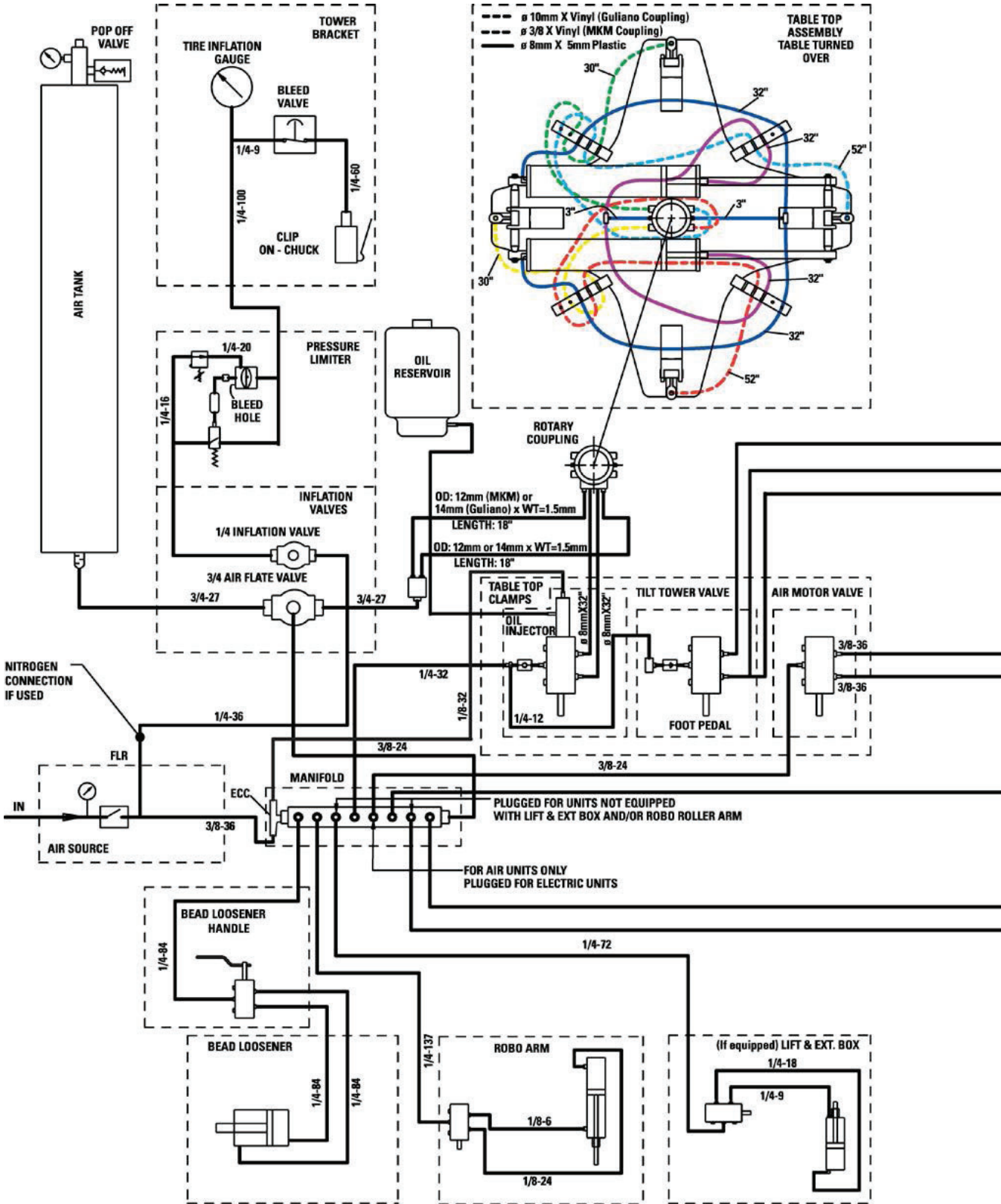
Item	Part No.	Description
1	85607855	Muffler
2	8185621	Valve, 3 Position
3	8000378	1/4" Brass St. Fitting



Aux Arm Valve Assembly

Item	Part No.	Description
1	8181997	90° Elbow 1/8 NPT x 1/8" Fitting
2	8109481	1/4 NPT x 1/8 NPT RDCR Fitting
3	8185586	Valve-3POS
4	85607855	Muffler
5	8000378	1/4" Brass St. Fitting

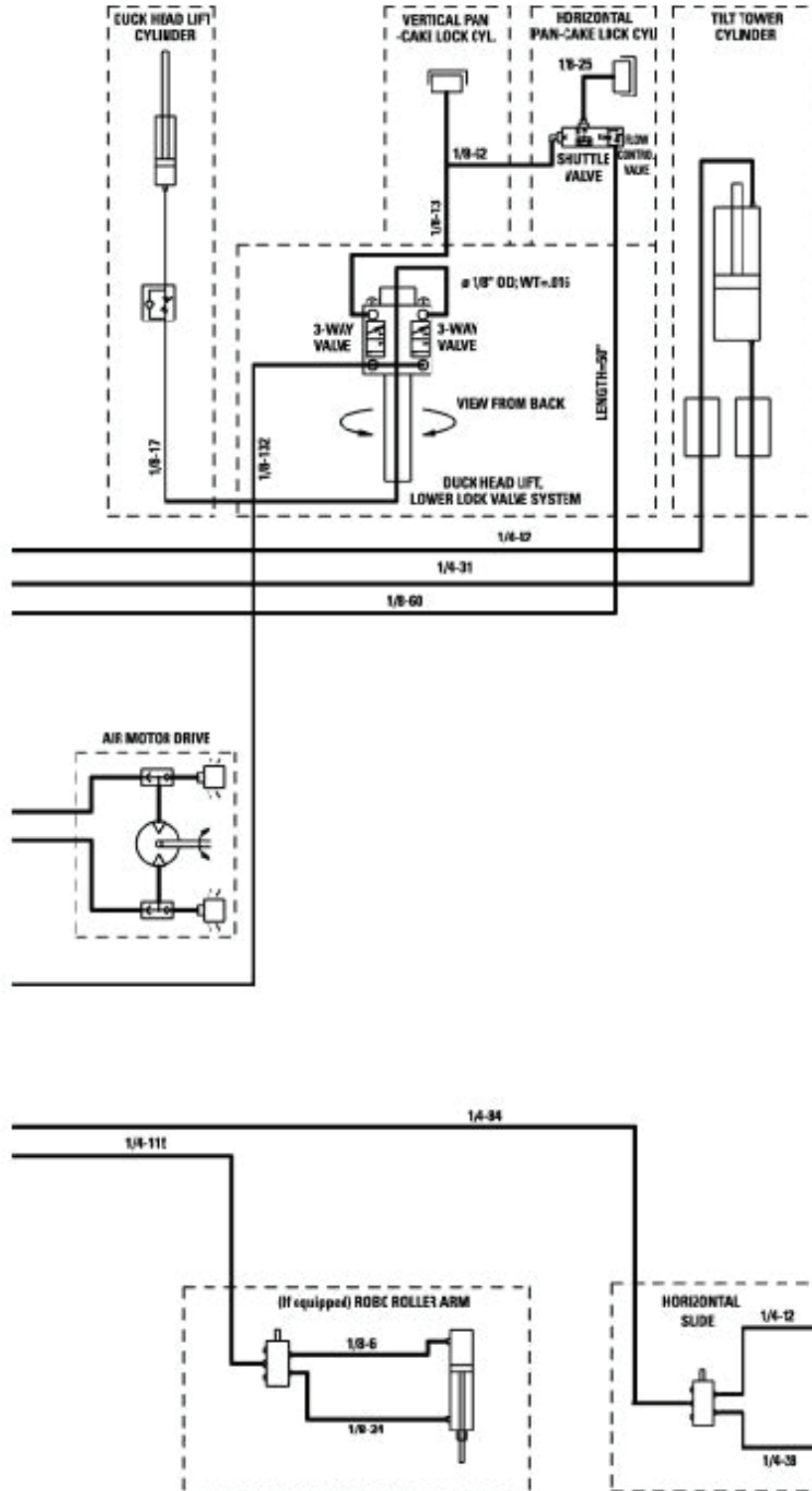
Pneumatic Diagram



APX SERIES DIAGRAM

Hose Reels

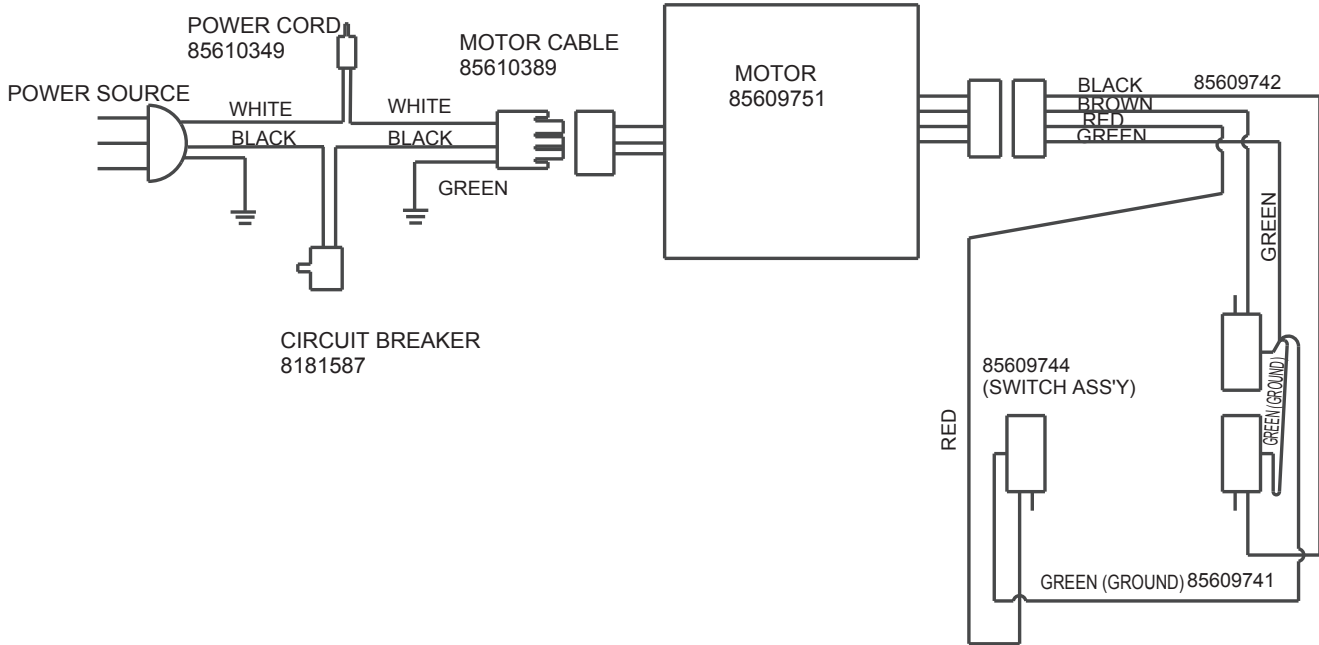
Length	Part No.	Description	Length	Part No.	Description
50-ft.	85000375	1/4" ID x 1/2" OD Black Rubber Hose	25-ft.	8500038002	10mm OD Vinyl Tube
50-ft.	85000376	1/8" OD x 0.025 Wall Plastic Tube	25-ft.	85607551	8mm OD x 5mm ID Plastic Tube
50-ft.	85000377	3/8" ID x 11/16" OD Black Rubber Hose	100-ft.	85000382	3/8" OD x 1/4" ID Vinyl Tube
25-ft.	85000378	0.75" ID x 1.156" OD Red Rubber Hose	80-ft.	85000383	14mm OD x 1mm Wall Plastic Tube
80-ft.	85000379	12mm OD x 1mm Wall Plastic Hose	25-ft.	85000384	1/2" ID x 3/4 OD Black Rubber Hose



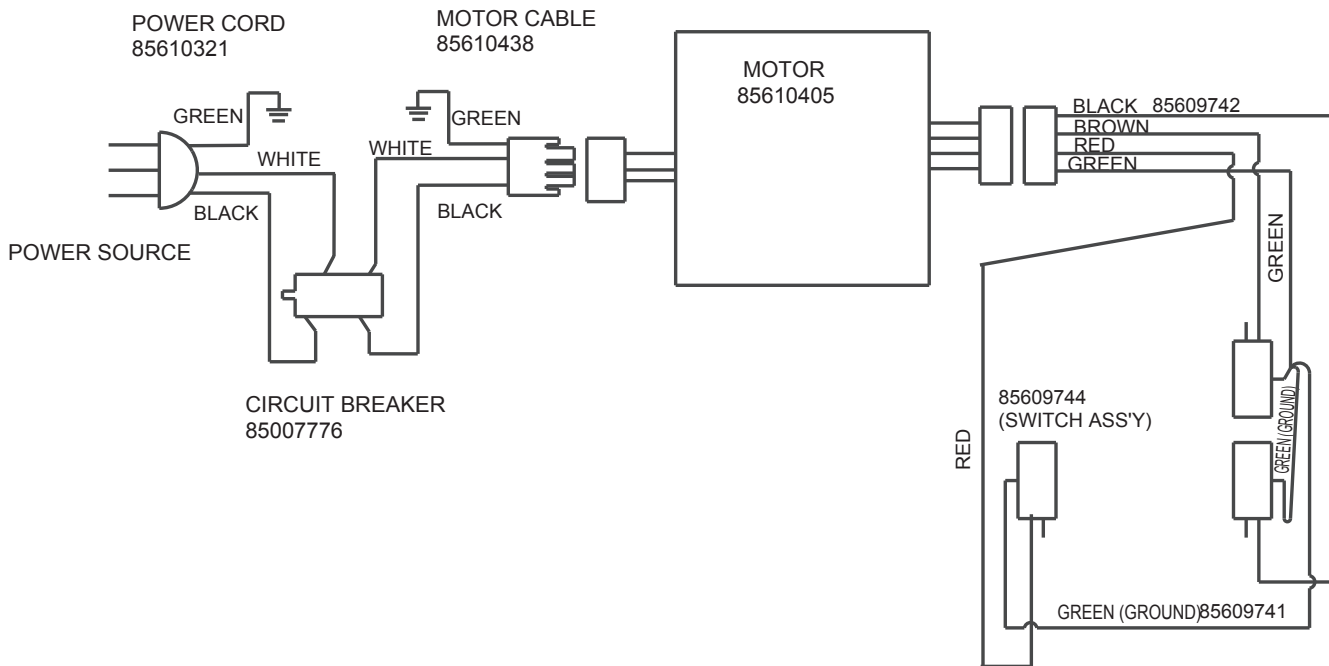
Electrical Schematics

Electrical Schematics (2 - Speed Motors)

115V MOTOR



220V MOTOR



Notes

Rim Clamp® Tire Changer

All-Air Unit Compressed Air Requirements

COATS® Rim Clamp® tire changers that are powered entirely by air (no electric motor) require a single compressed air power source. Refer to the table below for exact specifications.

Tire Changer Model	Compressor Size	Capable of
APX 80	5 HP	4-15 SCFM at 150 PSI
APX 90	5 HP	4-15 SCFM at 150 PSI

Oiler and Water Separator Maintenance

The oiler and water separator (on units so equipped) require weekly service. Oil and water levels (indicated on the level gauge on the side of each bowl) should be checked regularly.

Add oil to the oiler if the fluid level is more than 1/4" from the top of the gauge. Remove the filler plug in the top of the oiler, and add SAE 10W non-detergent oil or an air tool oil to bring the level up to 1/4" from the top of the gauge. Replace the filler plug and clean up any spilled oil.

Note: An alternate adjustment method for the oil flow is to turn the knob fully clockwise to stop the flow, then turn it back counterclockwise 1/4 turn.

Oil Injector Maintenance

The oil injector (on units so equipped) typically require annual service. The oil level in the oil reservoir tank should be checked regularly.

Add oil to the oil reservoir tank if the fluid level in the tank is below a quarter full. Remove the cap from the oil reservoir tank and add Chevron Regal® R & O 32 oil to the full line. Replace the cap and clean up any spilled oil.

Important: If the hose between the reservoir and injector is ever empty of oil, an air lock will form. After filling the reservoir tank, the line must be bled of air at the injector connection as follows:

- Remove the side panel and locate the oil injector.
- Loosen the bleeder screw until oil drips from the screw.
- Retighten bleeder screw.
- Cycle the clamp valve a few times checking for oil and air leaks.
- Test the machine for full function before returning the machine to operation.

Transmission Lubrication

Check fluid level in the table top transmission once every 3 months. If fluid shows on dipstick, level is satisfactory. If no fluid shows on dipstick, add an SAE 80 gear lubricant until fluid shows on dipstick.

Air Gauge Check and Recalibration

1. Inflate a standard 15" passenger car tire/wheel assembly to 32 PSI. Use a high quality stick-type pressure gauge to verify the pressure. Attach the tire changer's inflation hose to the valve stem and check the pressure reading on the air gauge. If it does not read 32 PSI, recalibrate the gauge.

2. Remove the screw-on lens. Loosen the 2 screws on the face of the gauge. Loosen them just enough so that the gauge face moves. Do not remove the screws.

3. Rotate the gauge face until the 32 PSI mark is aligned with the gauge needle. Tighten the 2 screws and replace the lens.

Danger, Warning, Caution, and Instructional Decals

Always make the cleaning of these important decals a part of your regular maintenance routine. If they are damaged or illegible, replace them immediately. Your safety, and the safety of others is involved!

Regal® is a trademark of Chevron Products Company