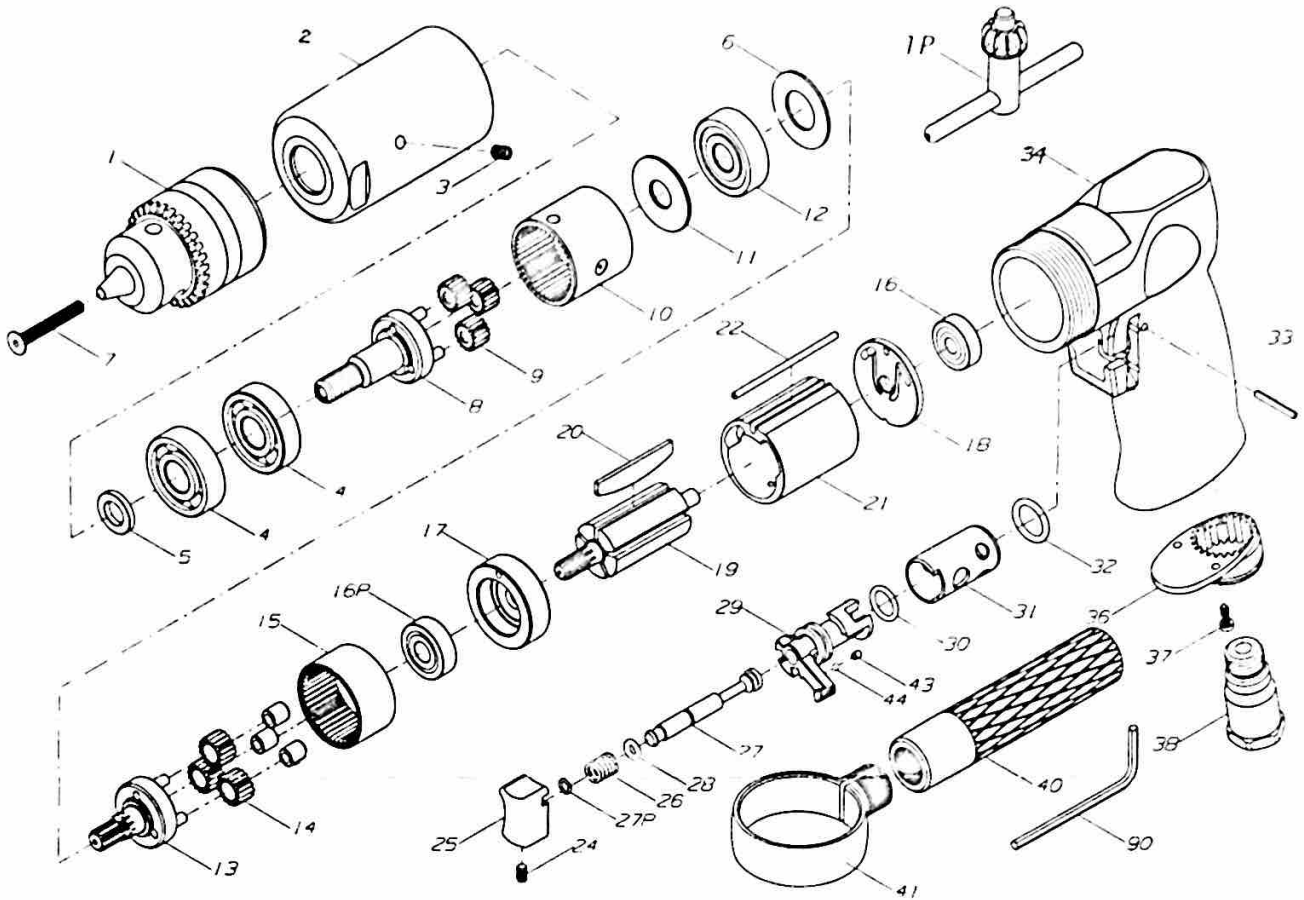


Model No.7210 1/2" Reversible Air Drill-Key Chuck HEAVY DUTY 800RPM



REF	PART NUMBER	DESCRIPTION	REQ	REF	PART NUMBER	DESCRIPTION	REQ
1A	PUT-7210-1A	1/2" CHUCK W/KEY STD EQUIP	1	22	PUT-7210-22	MOTOR PIN	1
1	PUT-7210-1	1/2" CHUCK (KEYED)	1	24	PUT-7210-24	SET SCREW	1
1P	PUT-7210-1P	1/2" CHUCK KEY		25	PUT-7210-25	TRIGGER (ZN)	1
2	PUT-7210-2	CLAMP NUT	1	26	PUT-7210-26	SPRING	1
3	PUT-7210-3	SET SCREW	1	27	PUT-7210-27	THROTTLE VALVE	1
4	PUT-7210-4	BALL BRG	2	28	PUT-7210-28	O-RING	1
5	PUT-7210-5	WASHER	1	27P	PUT-7210-27P	O-RING	1
6	PUT-7210-6	SPACER	1	29	PUT-7210-29	REVERSE VALVE	1
7	PUT-7210-7	SCREW	1	30	PUT-7210-30	O-RING	1
8	PUT-7210-8	PLANET CARRIER	1	31	PUT-7210-31	REVERSE VALVE	1
9	PUT-7210-9	PLANET GEAR (3)	3	32	PUT-7210-32	O-RING	1
10	PUT-7210-10	INTERNAL GEAR	1	33	PUT-7210-33	PIN	1
11	PUT-7210-11	SPACER	1	34	PUT-7210-34	MOTOR HOUSING	1
12	PUT-7210-12	BALL BRG	1	36	PUT-7210-36	EXHAUST DEFLECTOR	1
13	PUT-7210-13	PLANET CARRIER	1	37	PUT-7210-37	SCREW (2)	2
14	PUT-7210-14	P/GEAR W/BUSH (3)	3	38	PUT-7210-38	AIR INLET	1
15	PUT-7210-15	INTERNAL GEAR	1	40	PUT-7210-40	HANDLE	1
16	PUT-7210-16	BALL BRG	1	41	PUT-7210-41	CLAMP RING	1
16P	PUT-7210-16P	BALL BRG	1	43	PUT-7210-43	DETEND RUBBER	1
17	PUT-7210-17	FRONT END PLATE	1	44	PUT-7210-44	STEEL BALL	1
18	PUT-7210-18	REAR END PLATE	1	90	PUT-7210-90	ALLEN WRENCH	1
19	PUT-7210-19	ROTOR	1			RED RUBBER HANDLE COVER	
20	PUT-7210-20	ROTOR BLADE (5)	5				
21	PUT-7210-21	CYLINDER (P.M.)	1				