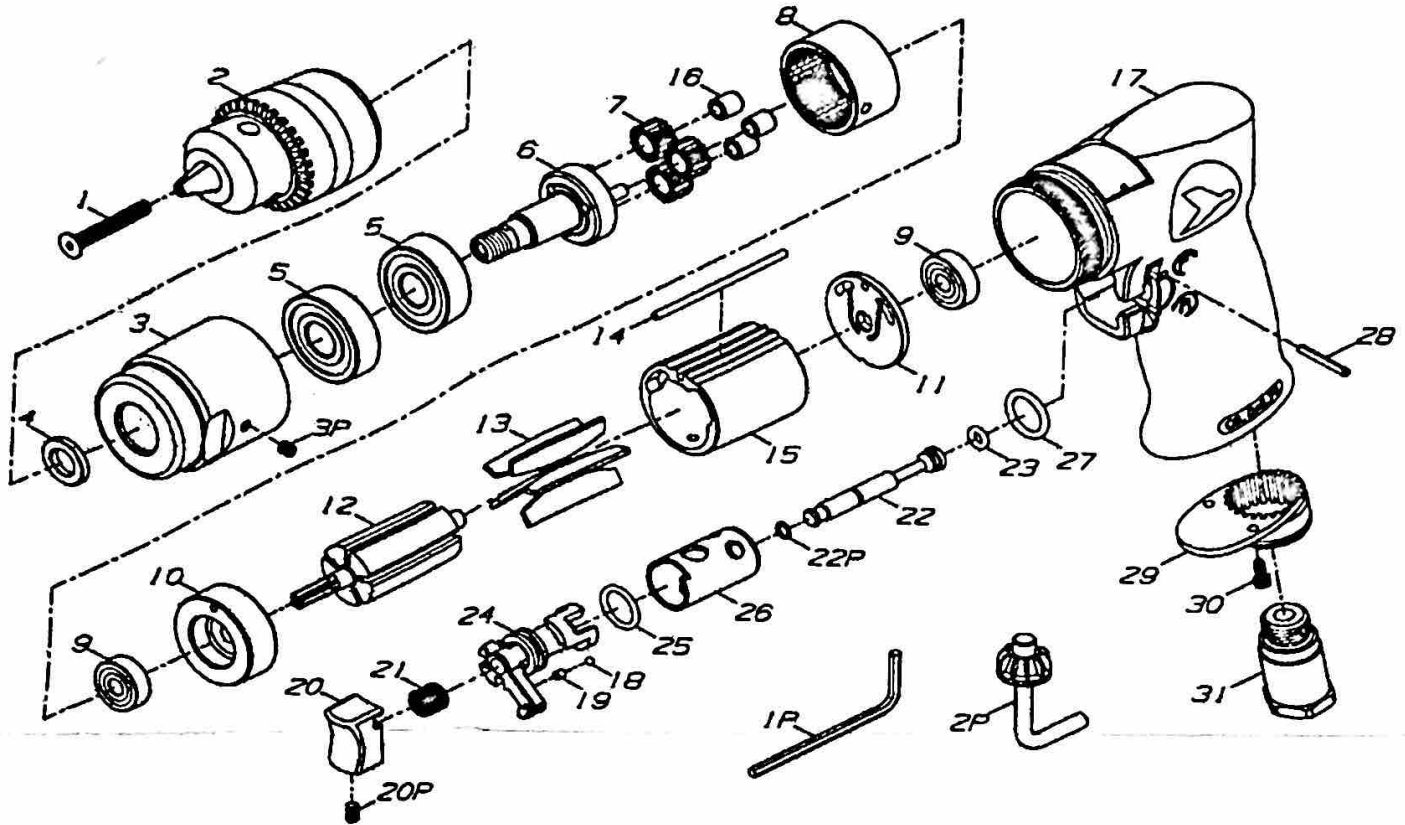


**Model No.7200 3/8" Reversible Air Drill-Keyed Chuck  
HEAVY DUTY 2,200 RPM**



REF	PART NUMBER	DESCRIPTION	REQ	REF	PART NUMBER	DESCRIPTION	REQ
1	PUT-7200-1	SCREW	1	17	PUT-7200-17	MOTOR HOUSING	1
1P	PUT-7200-1P	ALLEN WRENCH	1	18	PUT-7200-18	STEEL BALL	1
2	PUT-7200-2	DRILL CHUCK	1	19	PUT-7200-19	DETENT RUBBER	1
2P	PUT-7200-2P	DRILL CHUCK KEY	1	20P	PUT-7200-20P	SET SCREW (FOR #20)	1
3	PUT-7200-3	GEAR HOUSING	1	20	PUT-7200-20P	TRIGGER (ZN)	1
3P	PUT-7200-3P	SET SCREW	1	21	PUT-7200-21	VALVE SPRING	1
4	PUT-7200-4	WASHER	1	22	PUT-7200-22	THROTTLE VALVE	1
5	PUT-7200-5	BALL BEARING	2	22P	PUT-7200-22P	O-RING	1
6	PUT-7200-6	PLANET CARRIER	1	23	PUT-7200-23	O-RING	1
7	PUT-7200-7	PLANET GEAR	3	24	PUT-7200-24	REVERSE VALVE	1
8	PUT-7200-8	INTERNAL GEAR	1	25	PUT-7200-25	O-RING	1
9	PUT-7200-9	BALL BEARING	2	26	PUT-7200-26	REVERSE VALVE BUSHING	1
10	PUT-7200-10	BEARING CASE	1	27	PUT-7200-27	O-RING	1
11	PUT-7200-11	REAR END PLATE	1	28	PUT-7200-28	PIN	1
12	PUT-7200-12	ROTOR	1	29	PUT-7200-29	EXHAUST DEFLECTOR	1
13	PUT-7200-13	VANE	5	30	PUT-7200-30	SCREW	2
14	PUT-7200-14	MOTOR PIN	1	31	PUT-7200-31	AIR INLET	1
15	PUT-7200-15	CYLINDER	1				
16	PUT-7200-16	BUSHING	3				