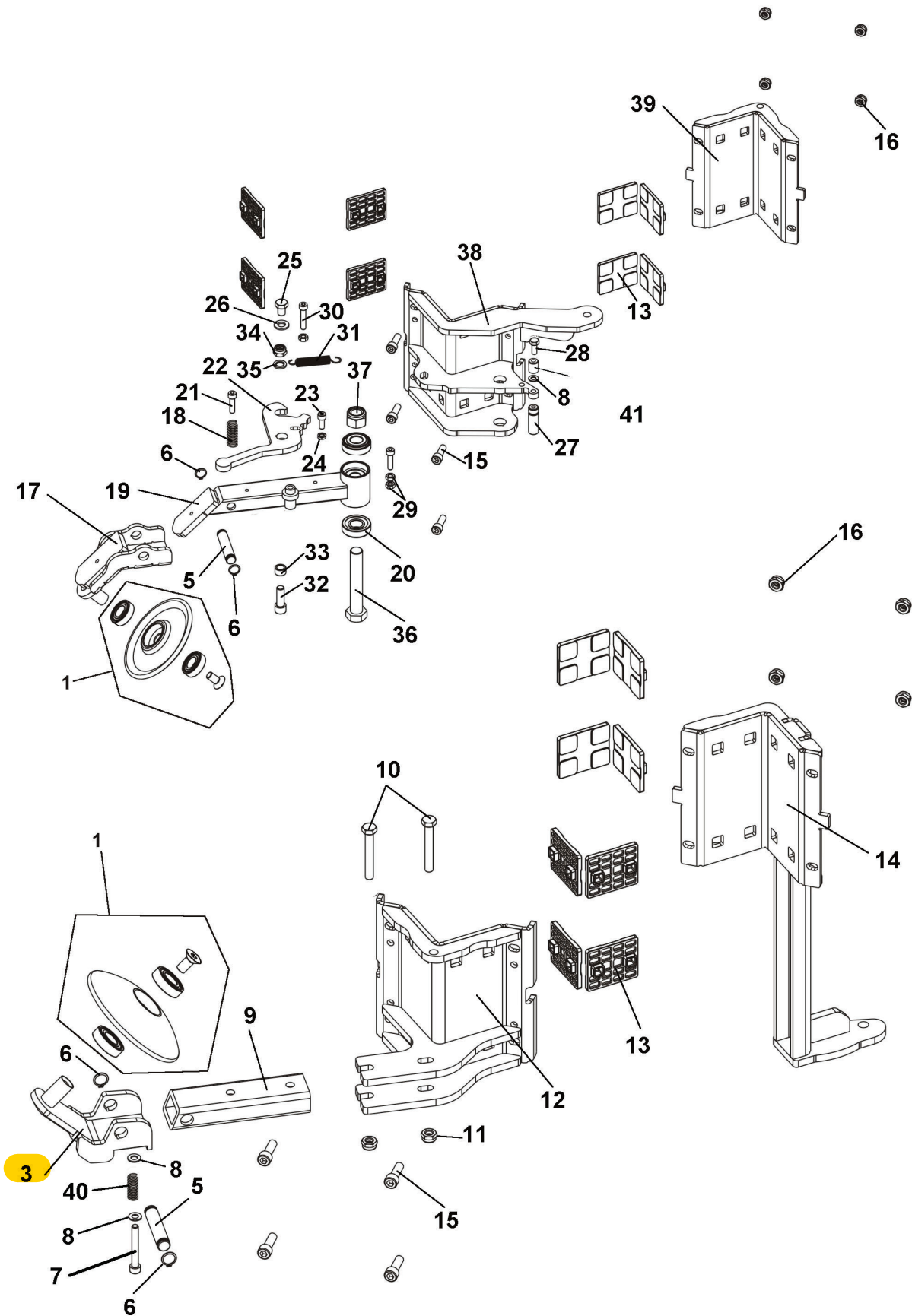


# Disc Assembly



# Disc Assembly

Item	Part No.	Description
1	82041627	DISC UNIT COMPLETE
3	87040123	LEVER
5	83034335	PIN
6	84398686	SEEGER RING D.16
7	84396598	SCREW 8x60
8	84399829	WASHER
9	87040957	LOWER BEAD BREAKER
10	84392231	SCREW 10x70
11	84399971	SELF-LOCKING NUT M10
12	87040950	LOWER EXTERNAL CARRIAGE
13	83019627	SLIDING BLOCK
14	87040952	LOWER INTERNAL CARRIAGE
15	84393900	SCREW TCEI 10x30 8.8 ZNT
16	84399971	NUT
17	87034196	CONNECTING LEVER
18	84293385	SPRING
19	87036379	UPPER BEAD BREAKER
20	84296944	BEARING
21	84399134	SCREW 8x30
22	87037151	HOOK
23	84399954	SCREW 8x20
24	84398862	NUT
25	84398635	SCREW 12x16
26	84399981	WASHER
27	83034898	PIN
28	84399827	SCREW 8x20
29	84399976	NUT
30	84399133	SCREW 8x40
31	83030115	RETURN SPRING
32	84399943	SCREW 12x35
33	83000108	CONNECTING ROD SPACER 12x18x11,5
34	84399865	NUT
35	84398609	GROWER WASHER D.12
36	84393899	PIN
37	84398536	NUT
38	87040947	UPPER BEAD BREAKER CARRIAGE
39	87034092	INTERNAL BEAD BREAKER CARRIAGE
40	83008030	SPRING 17x32
41	83001592	SPACER D.10X14X9