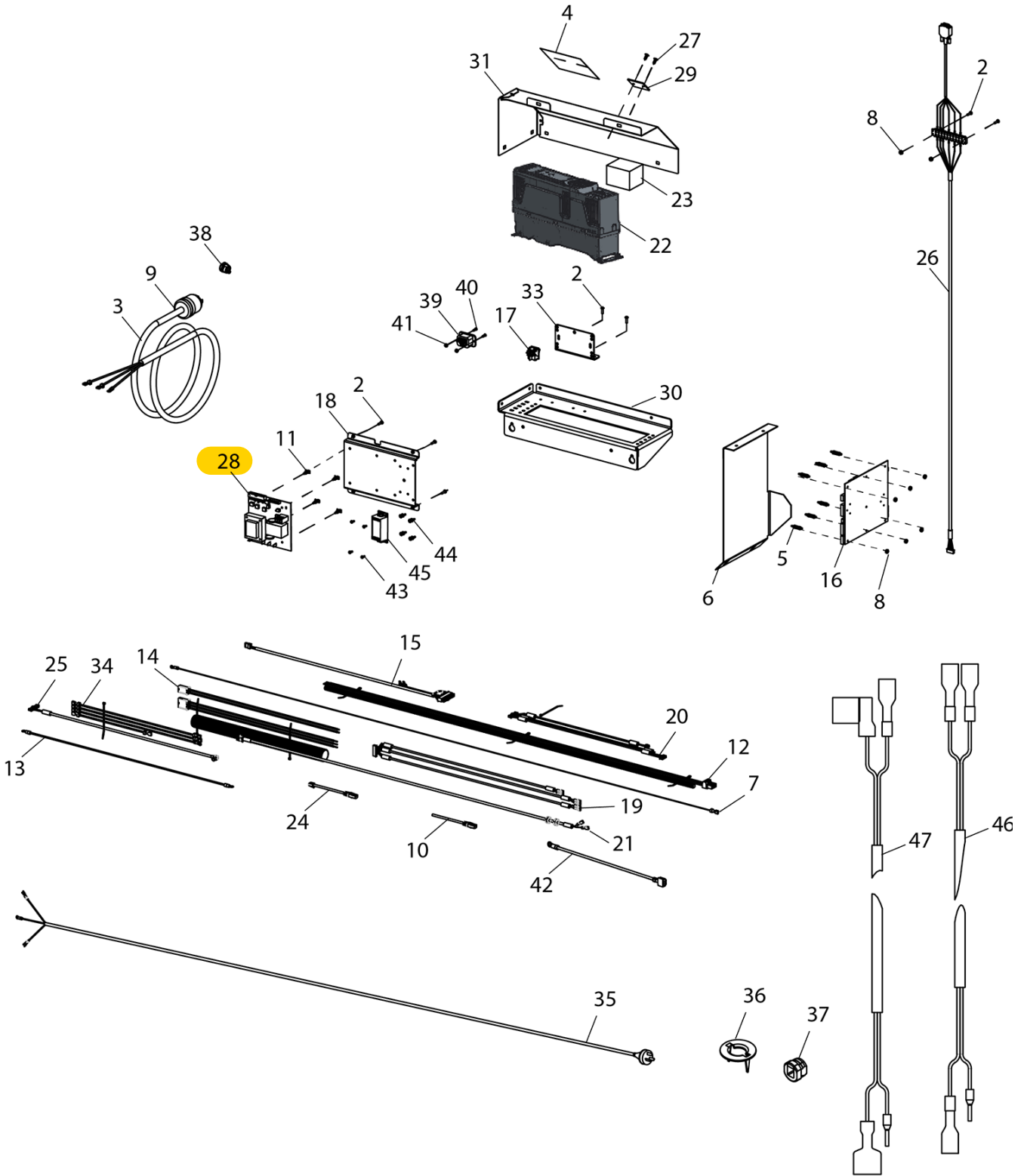


1500/1600 Inverter Models



1500/1600 Inverter Models

Item	Part No.	Description
1	925019	Screw - Hex Hd. Self Tapping
2	8111542	Screw - 8-32 X 5/8 LG. Php Sem
3	85611137	Cord - Power 1 PH
	8143127	Cord - Power 3 PH
4	8113927	Decal-Caution/Warning
5	8113996	Standoff - 8-32X3/4
6	8114184	Cover
7	8114212	Assembly, Drain Wire
8	8301084	Nut, #8-32 Kep
9	8305076	Plug-Twist Lock,250V,20AMP,1PH
	8140786	Plug-Twist Lock,220V,20AMP,3PH
10	81142111	Cable - CAT 5, 7' LG.
11	85000361	Standoff- Snap-Lock
12	85010022	Assy - Wire Harness, Motor
13	85010024	Assy - Wire, Ground X 26' LG.
14	85600284	Harness - Inverter / Motor
15	85608188	Harness-Fan 220V,Assy
16	85609808	PCB - Processor (1500)
	85608629	PCB - Processor (1600)
17	85609122	Switch-DPST, Rocker
18	85609308	Bracket-MCB Assy
19	85609815	Assembly - Piezo Harness
20	85609818	Assembly, MCB Cable
21	85609820	Assy, Hood Switch Cable
22	85609942	Inverter-Emerson 701, 3HP
23	85610071	Damper, Vibration, Inverter
24	85610107	Cable-RJ45 - RJ12 Assy
25	85610232	Cable, Sonar Chassis (1500 only)
	85611014	Cable, Sonar Chassis, Pedal (1600 only)
26	85610237	Cable-Emrsn,W/Trmnl,Assy
27	85610274	Rivet-Plastic, A3/16"
28	85610527	Board-Supply,Power,Inverter
29	85610588	Shield-Acrylic, IB Laser
30	85610644	Bracket-Inverter, Reverse
31	85610645	Weldment-Cover, WND
33	85610649	Bracket-Terminal Strip, Side
34	85610672	Harness-Asm,Pwr, 4X 14AWG
35	929507	Cord-Power, (Aust. Only)
36	929642	Adapter-Knckt,Heyco (Aust. Only)
37	929643	Relief-Strain,SR-6W-1 (Aust. Only)
38	929643	Relief-Strain,120V,SR-81-1
39	85609290	Outlet, Panel Mount
40	85610253	Screw, OHPMS, 6-32 x 1/2
41	8111055	Nut - Hex, locking, 6-32 Insert
42	85610727	Ground Wire
43	8301067	Screw- #6-32 X Phil. (1600 with LED Bar Only)
44	85611225	Spacer-Snap-In,ML/FML (1600 with LED Bar Only)
45	85611226	Supply-Pwr, 220VAC/24VDC (1600 with LED Bar Only)
46	85611222	Harness-Pwr,Switch, 48"
47	85611223	Harness-Pwr,LED, 48"