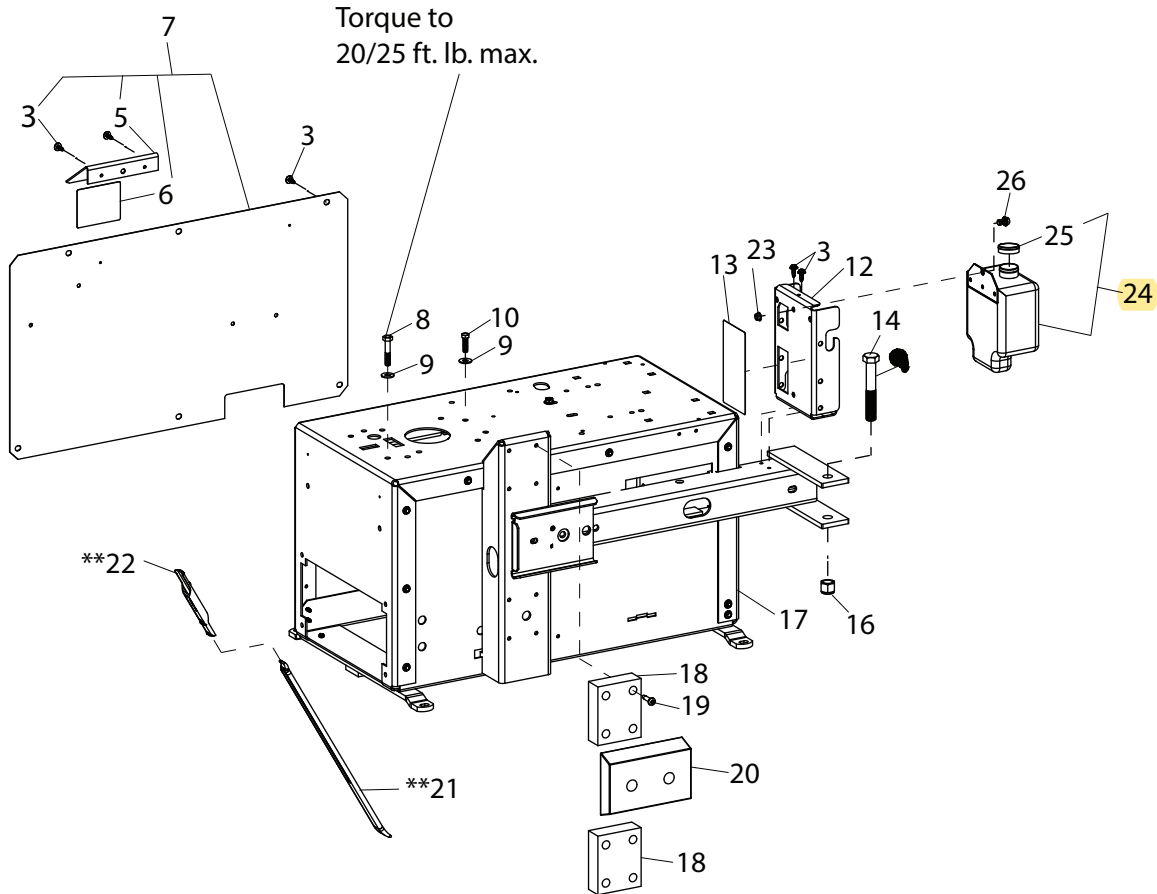


Chassis System

Item	Part No.	Description	Item	Part No.	Description
3	8106301	1/4" Hex Hd Self Tap Screw, Gr.5	16	8182016	3/4-10/E23 Nylon Hex Nut
5	8182811	Inflation Pedal Cover	17	8182041	Chassis
6	85609786	Inflation Pedal Decal	18	8181851	B.L. Pad, Front
7	85607585	Metal Side Panel	19	8182088	5/16-18 x 1-1/4 TPHST Screw, Gr.5
8	8182040	M10-1.5 x 55MM Hex Hd.Cap Scr, Gr.8.8	20	8181855	B.L. Center Pad
9	8301032	3/8 Flat Washer, Zinc Plate	**21	8181354	Bead Lifting Tool
10	8107715	3/8-16 x 1-1/4 Hex Hd. Cap Scr, Gr.5	**22	85000783	Lift Tool Bootie Kit, Pkg of 10
12	85611044C2	Lubricator Bracket	23	924724	312-18 Hex Flange Nut
13	8183778	Lubrication Notice Decal	24	856104041	Tank Reservoir w/Cap
14	85608582	3/4 x 3-1/2 SHSHS Screw	25	8561040601	Tank Reservoir Cap
			26	8183452	5/16-18x5/8 HWHCS Screw
			27	85609766	Water Separator Assy (Air Motor Machines Only)

**Accessory Item



 APPLY GREASE TO THESE LOCATIONS