

BL Arm Assembly

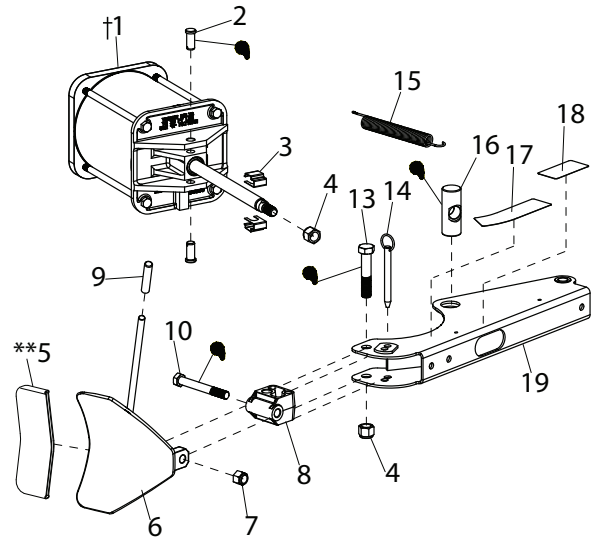
Item	Part No.	Description
†1	81833123	B.L. Cylinder, 1/4" Fitting (Hand Operated)
	81833125	B.L. Cylinder, 1/4" Fitting (70 Series, Hand Operated)
	8183312	B.L. Cylinder, 3/8" Fitting (Foot Operated)
2	8181949	5/8 x 1-3/8 Clevis Pin
3	8181912	Clevis Clip
4	8182016	3/4"-10 Nylon Insert Lock Nut, Gr.5
**5	8183606	Shoe Bootie Kit, Pkg of 2
6	85608038	B.L. Shoe, Handle & Pivot W/C (Hand Operated)
	8183529	B.L. Shoe, w/handle (Foot Operated)
7	8182043	5/8-11 Nylon Insert Lock Nut Gr.5
8	8181951	B.L. Shoe Pivot Bracket
9	8100979	3/4", Rubber Hand Grip (Hand Operated)
	7000230	1/2" Rubber Hand Grip (Foot Operated)
10	8182011	5/8-11 x 5" Hex Hd Cap Scr, Gr.5
*11	85608033	B.L. Arm Valve Assembly
	8185755	B.L. Arm Valve Assy (old style)
12	902189	1/4-20 x.504 HHCS
13	8182009	3/4-10 x 3 3/4" HHCS
14	8120326	ø1/2" Hitch Pin
15	8180230	B.L. Spring
16	85607837	Pivot Pin, B.L. Cylinder Rod (Hand Operated)
	8182550	Pivot Pin, B.L. Cylinder Rod (Foot Operated)
17	8181970	Bead Loosener Caution Decal
18	8182768	Bead Loosener Caution Decal
19	8182002	B.L. Arm
20	8185558	Shoulder Screw
21	85000047	10/24 x 1" HHCS Screw
22	8301035	3/8-16 Hex Nyloc Nut
23	8182682	10-24 Nylon Insert Lock Nut Gr.5
24	85608037	Lever Link
25	8106301	1/4" Hex Hd Self Tap Screw, Gr.5
26	8182044	Neoprene Cushion Clamp
27	85608034	B.L. Lever Assembly
28	85608569	Heim Joint
29	8182457	Washer
30	85608567	Spacer
31	85608566	Spacer
32	8182579	Screw

†Cylinder Assemblies

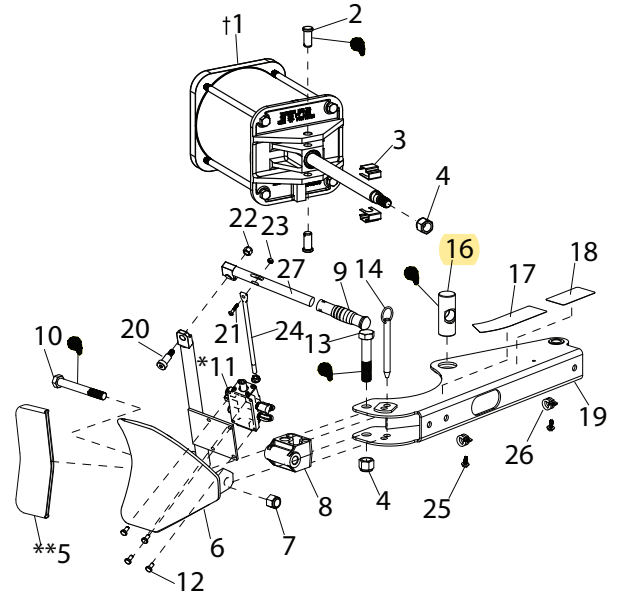
*Valve Assemblies (available only as individual components, see page 18)

**Accessory Item

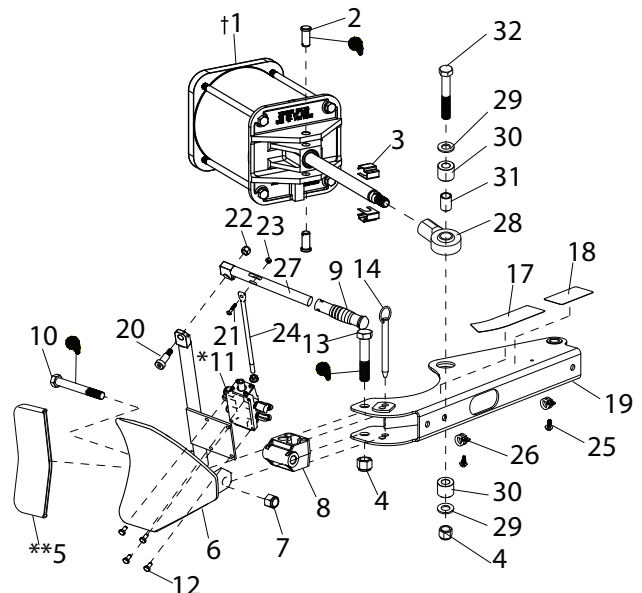
BL Arm Assembly (Foot Operated)



BL Arm Assembly (Hand Operated)



BL Arm Assembly (70-Series, Hand Operated)



 APPLY GREASE TO THESE LOCATIONS