

Robo-Arm® LR Assembly

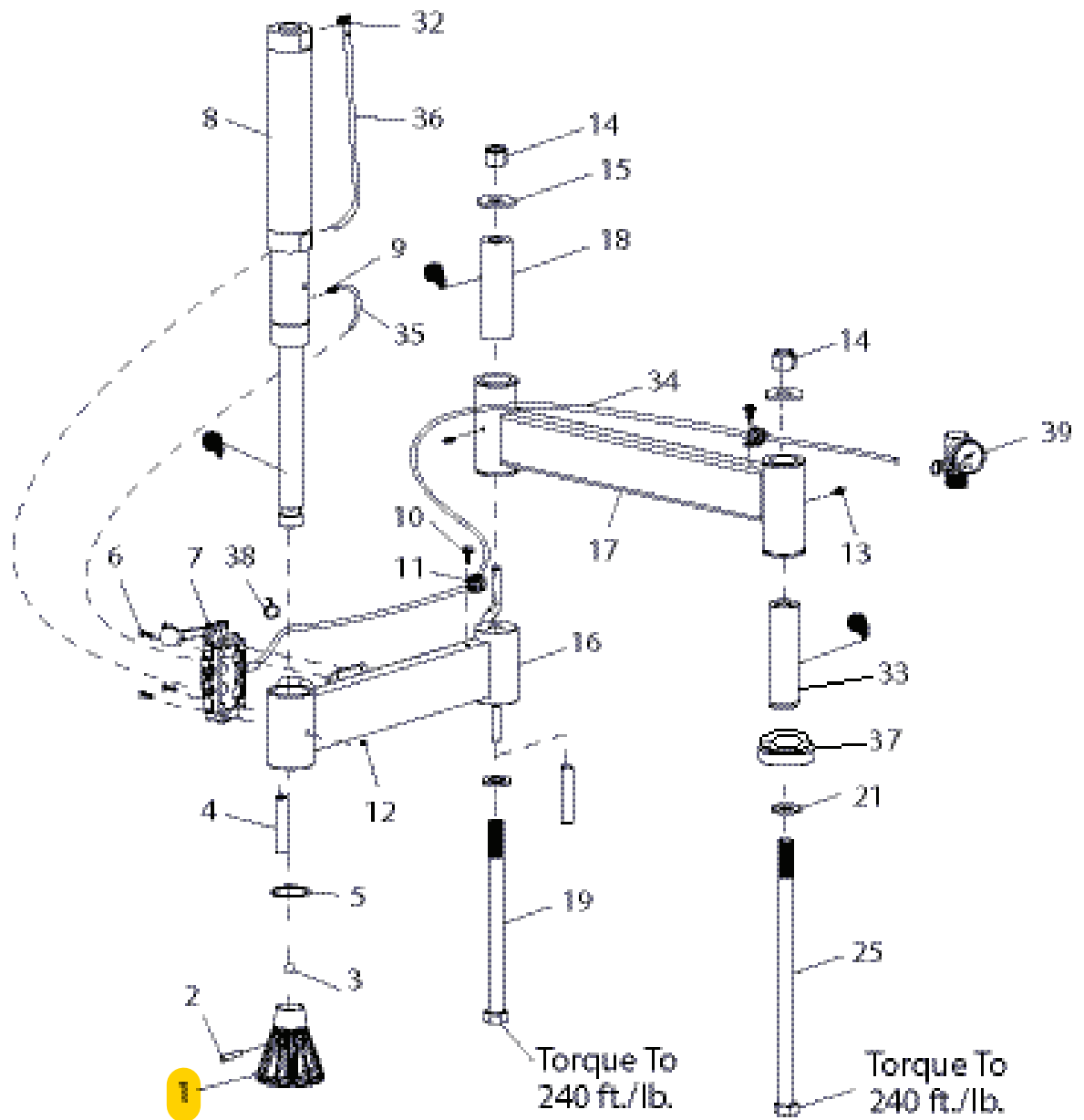
Item	Part No.	Description
1	85607622	Plastic Hold Down Foot
2	905563	Roll Pin, 1/4" Dia x 1-1/2"
3	8301017	Dia. Steel Ball, 1/2"
4	7000230	Rubber Hand Grip, 1/2"
5	8183637	2" Ext. Retaining Ring
6	8182001	Screw, 10-24 x 3/4 Lg. SHCS
7	*8185757	Robo-Arm LR Valve Assembly
8	85607946	Cyl Assem 2" Dia x 8-inch Stroke
9	8181996	1/4 NPT x 1/8 Tube St. Fitting
10	8106301	1/4-20 x 3/4" HWHST Screw
11	8182044	Neoprene Cushion Clamp
12	8183649	1/4-20 x 5/16" Soc Hd Set Screw
13	8184226	1/4-28 Grease Fitting
14	8182016	3/4-10 Hex Nylock Lock Nut
15	8100994	Flat Washer, 3/4"
16	85607618	Front Arm Weldment
17	85607619	Rear Arm Weldment
18	8181038	Swing Arm Pivot Pin
19	8183703	3/4-10 x 10-1/2" Hex HD Cap Srw
21	8182457	Flat Washer, 3/4 SAE
25	8183635	Screw, 3/4-10 x 14, HHCS, Gr.5
32	8181997	90° Elbow
33	8181038	Pin-Pvt,Arm,Swng
34	†	Hose, Rubber, 1/4, 58" Black
35	†	Plastic Tube, 1/8 x 6"
36	†	Plastic Tube, 1/8 x 16"
37	8183636	Spacer-.781ID X 2.750 OD X 1.5
38		Wire Tie
39	8184059	Manifold Assembly

† Hose Reels

LENGTH	PART NO.	DESCRIPTION
50-ft.	85000375	1/4" ID x 1/2" OD Black Rubber Hose
50-ft.	85000376	1/8" OD x 0.25 Plastic Tube

***Valve Assemblies (available only as individual components, see page 16)**

**Accessory Item



 Apply Grease To These Locations