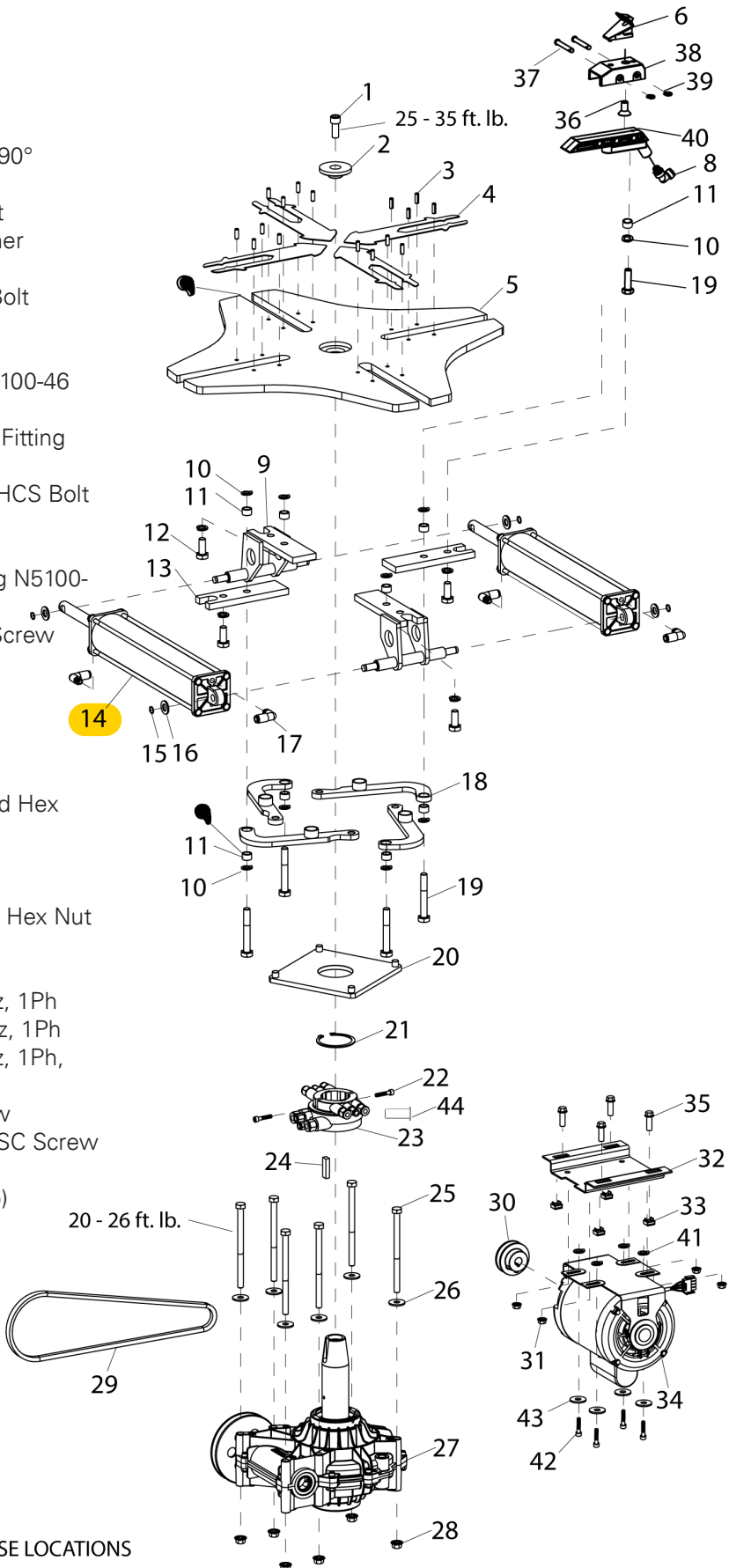


Table Top & Shaft Housing Assemblies

Item No	Part No.	Description
1	85606967	M12 x 1.75 x 29.5 SHCS Screw
2	85606968	Hub
3	8183476	1/4 x 3/4 Roll Pin
4	85607212	Slide Stopper
5	85606865	Weldment Plate
6	8181677	Rim Clamp
8	85607264	1/8 NPT x 10mm PSH 90° Elbow
9	85606904	Carrier Slide Weldment
10	85606916	M12 Spring Lock Washer
11	85606918	Pivot Link Sleeve
12	85606915	M12 1.75 x 30 HHCS Bolt
13	85606907	Carrier/Slide Plate
14	85607010	Cylinder Assembly, TT
15	85606919	Ext. Retaining Ring N5100-46
16	85606920	Flat Washer
17	850000881	1/8NPT x 8MM Elbow Fitting
18	85606913	Pivot Link Weldment
19	85607648	M12 x 1.75 x 40mm HHCS Bolt (24" Clamp)
20	85606910	Pivot Plate Weldment
21	85606971	External Retaining Ring N5100-262
22	940689	M6-1 x 30MM SHCS Screw
23	85607133	Rotating Union
24	85606969	Taper Key
25	85606979	M10 x 1.5 HHCS Bolt
26	85606982	M10 Plain Washer
27	85607871	Gear Box Transmission
28	85607342	M10 Whiz Lock Flanged Hex Nut
29	8180047	Motor Belt
30	8184674	Motor Pulley
31	85607346	M8 Whiz Lock Flanged Hex Nut
32	85610457	Motor Mount Bracket
33	85607361	M10 Cage Nut
34	85607008	Motor, 1HP, 115V, 60Hz, 1Ph
	8182621	Motor, 1HP, 220V, 50Hz, 1Ph
	8184691	Motor, 1HP, 115V, 60Hz, 1Ph, CSA
35	85607258	M10 x 60 HHCS, Screw
36	85607869	1.75 x 25mm M12, FHSC Screw
37	85608643	Clevis Pin
38	85607647	Top Carrier (24" Clamp) Adjustable
39	85608644	Circle Cotter Pin
40	85607646	Bottom Carrier
41	85609139	Grommet (85607008 Motor only)
42	85609311	M8 x 1.25 x 40mm HHCS Screw
43	8107635	5/16 Plain Washer
44	85607607	Brass Hose Insert



APPLY GREASE TO THESE LOCATIONS