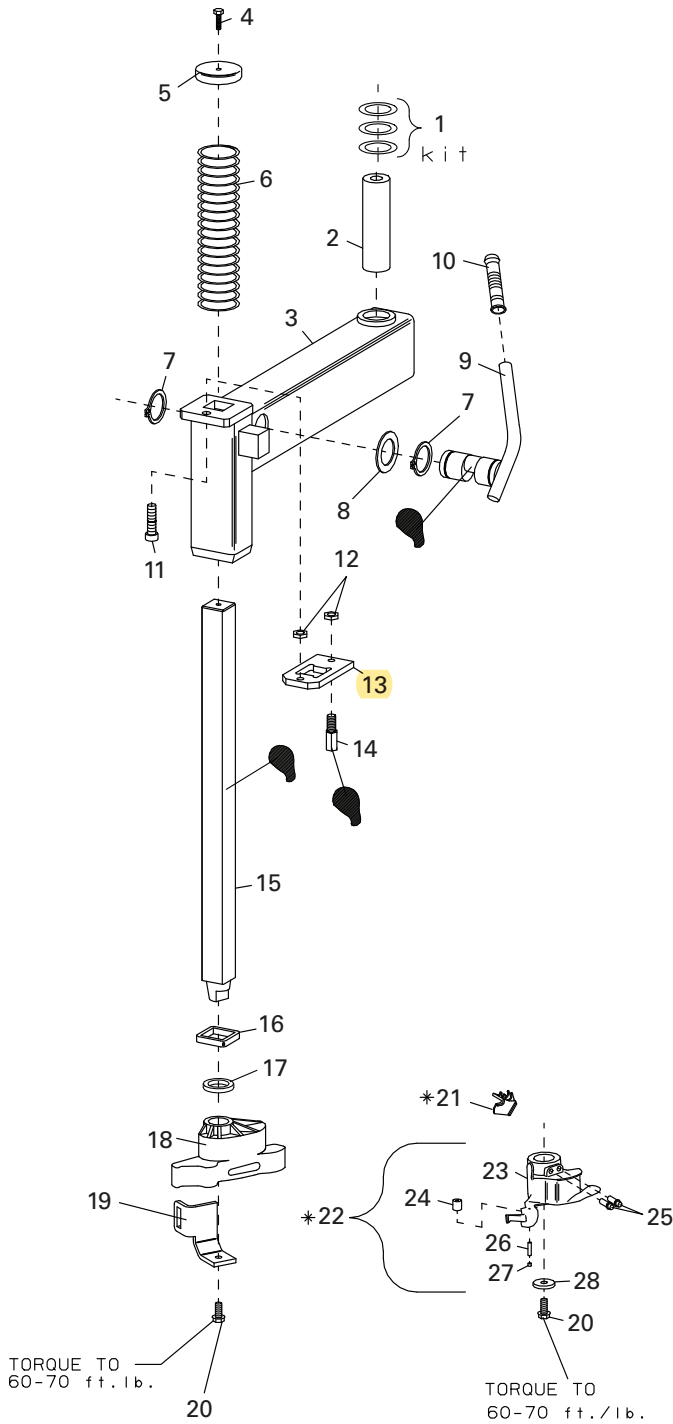


# Swing Arm Assembly



ITEM	PART NO.	DESCRIPTION
1	8182339	Shim Kit - Swing Arm
2	8181038	Pivot Pin-Swing Arm
3	8182820-2	Swing Arm, for R.H. Cam Lock
4	8182029	5/16-1 x 1-1/2 BHSCS, Gr.8
5	8181771	Knob - Vertical Slide
6	8182028	Spring-Vertical Slide (7050)
7	8181095	1-5/8 Snap Ring
8	8182371	Wave Washer, 1-5/8 Dia.
9	8183673	Lock Handle/Lift Cam W/C, R.H.
10	8100979	Handle Grip, Black Flex 3/4 I.D.
11	85606344	1/2 x 5/8 Shoulder Screw
12	8181113	1/2"-13 Jam Nut, Gr. 5
13	85606343	Lock Plate
14	8181035	Lift Pin-Lock Plate
15	8182812	Shaft-Vertical Slide
16	8182031	Rubber Bumper
17	8183033	Washer (7050)
18	8183061	Mount/Demount Head (Plastic)
19	8183665	Bracket Reciever, Bead Roller Tool
20	8106302	3/8" Whiz Lock Screw, Gr.5
21	8182770	Bootie-Mount/Demount Head-Single
	8182961	Mount/Demount Head Bootie-Pkg of 2
	8182963	Mount/Demount Head Bootie-Pk of 12
22	8182788	Mount/Desmount Head Assembly
23	8182026	Mount Demount Head Assembly (7060)
24	8181916	Roller 0.562 Diameter x 0.515 LG. (7060)
	8182787	Roller 0.562 Diameter x 0.515 LG. (7050, 7065, 7665)
25	8182813	3/8-16 x 3/4" Ctr Bore Cap Scr, Gr.8
26	8182786	5MM x 25MM Dowel Pin
27	8140667	1/4-20 x 1/4 Soc.Hd.Set Scr, Gr.8
28	8182027	Washer 7 ga. x .406 ID x 1.28 OD

 APPLY GREASE TO THESE LOCATIONS