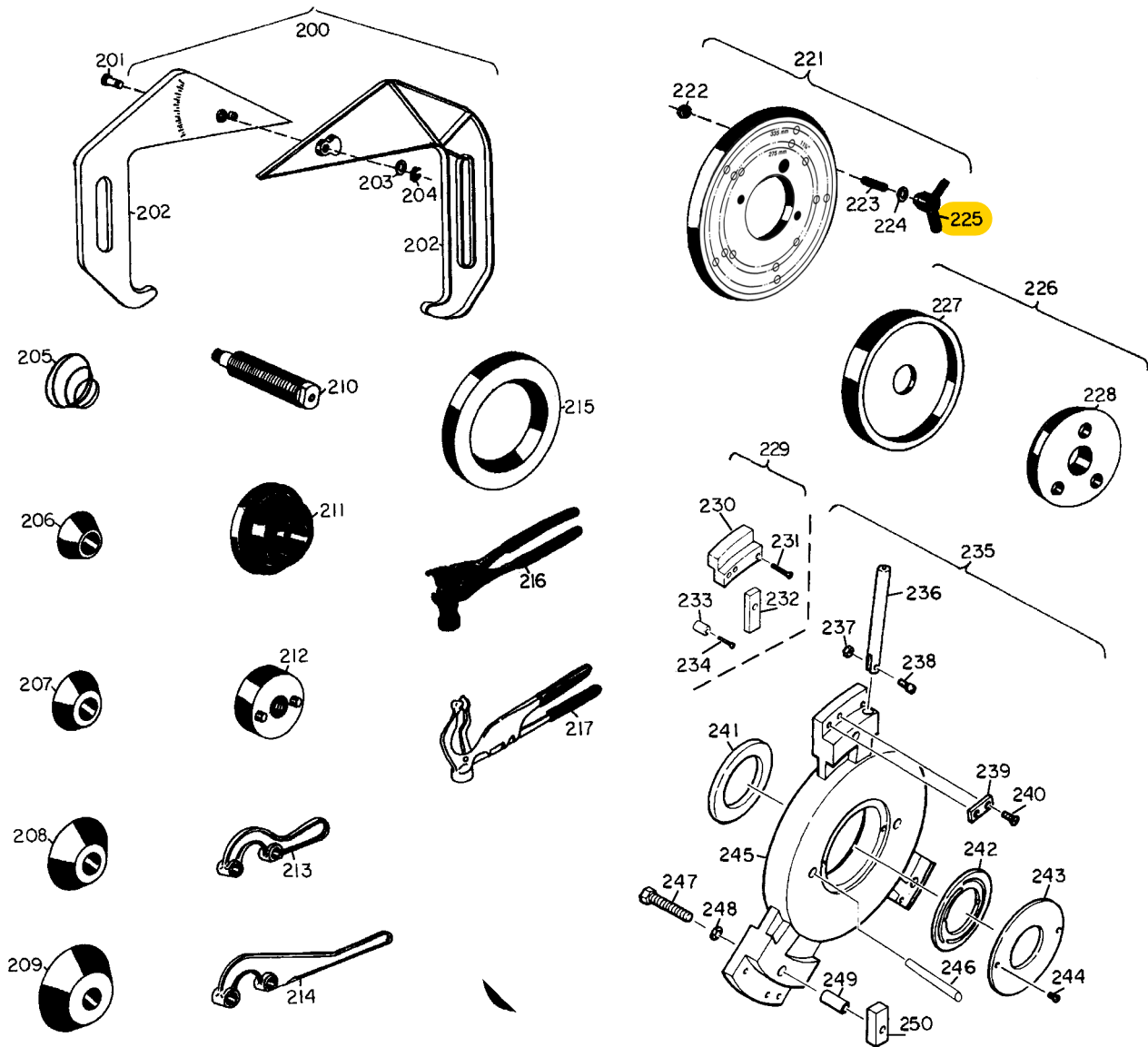


6401 Truck Wheel Balancer Accessory List



Standard Wheel Mounting Accessories

Item	Part #	Description
200	8309608	Caliper Assembly
201	8308090	Caliper Pin
202	8190076	Caliper
203	8301032	Flat Washer, 3/8"
204	8301153	Retainer
205	8308639	Back Cone Spring
206	8308628	Small Cone
207	8308629	Medium Cone
208	8308630	Large Cone
209	8308631	Truck Cone
210	8308605	6401 Threaded Stud
211	8308642	Pressure Drum
212	8309618	Hubnut Assembly
213	8308646	Hubnut Wrench, Short
214	8308645	Hubnut Wrench, Long
215	8308638	Truck Cone Spacer
216	8144064	Weight Pliers
217	8113175	Weight Pliers

Optional Wheel Mounting Accessories

Item	Part #	Description
221	8308627	Combi Adapter
222		5/8-11 UNC Hex Nut
223		Threaded Stud
224		Lock Washer
225	8309625	Wing Nut
226	8109877	Truck Kit Cone, Hub Centered Wheels
227	8109832	Backing Plate, Hub Centered Wheel
228	8109844	Cone, Hub Centered Wheel
229	8110786	Dayton Wheel Adapter Extension Kit, 22" - 24.5"
230	8111170	Extension, Arm (Kit 8110786)
231	8111173	Screw, Cap (Kit 8110786)
232	8111171	Clamp, Long (Kit 8110786)
233	8111169	Rod, Extension (Kit 8110786)
234	8111172	Screw, Cap (Kit 8110786)
235	8110785	Dayton Wheel Adapter Kit, 20" - 22.5"
236	8111168	Rod, Extension (Kit 8110785)
237	8181369	Nut, Lock (Kit 8110785)
238	8111159	Bolt (Kit 8110785)
239	8111167	Plate, Wear (Kit 8110785)
240	8111166	Screw, Cap (Kit 8110785)
241	8111157	Ring, Wear (Kit 8110785)
242	8111158	Plate, Eccentric (Kit 8110785)
243	8111163	Plate, Protector (Kit 8110785)
244	8111164	Screw, Cap (Kit 8110785)
245	8111165	Wheel Fixture (Kit 8110785)
246	8111155	Dowell Pin (Kit 8110785)
247	8111160	Screw, Hex Cap (Kit 8110785)
248	8301121	Washer, SAE (Kit 110785)
249	8111161	Bushing (Kit 110785)
250	8111162	Clamp, Short (Kit 110785)
251	8111156	Wrench, Cam (not shown, Kit 8110785)