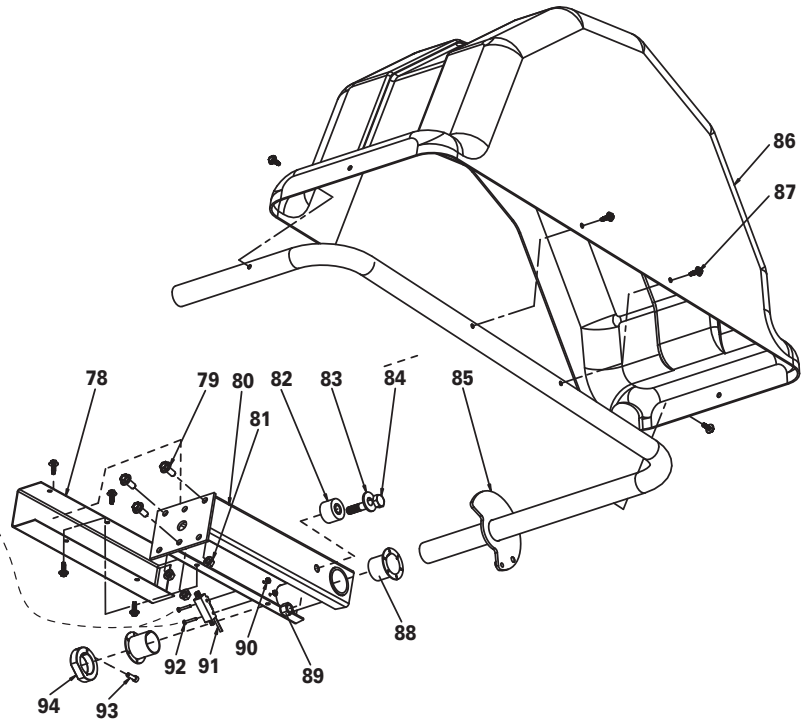
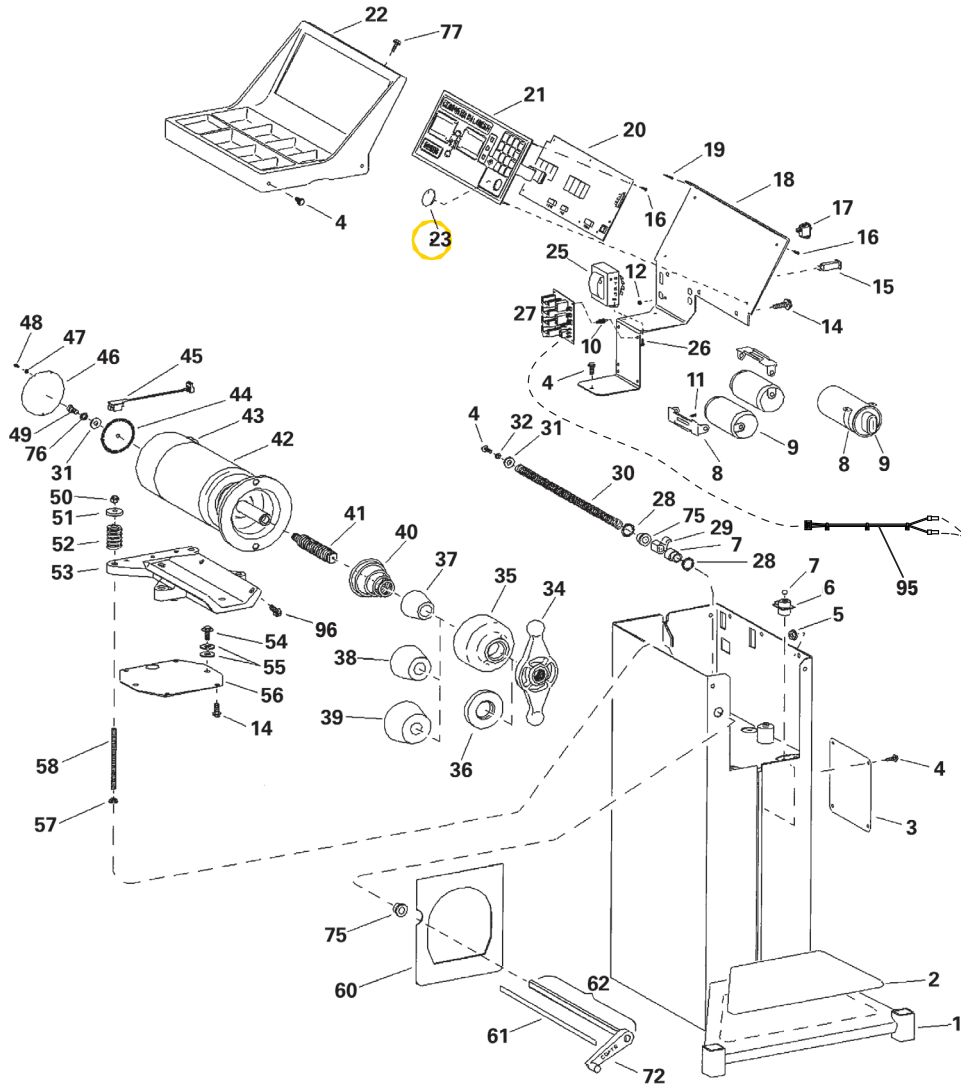


700SS Parts Identification
700SS Identificación de Partes



Parts Identification

Identificación de Partes

Parts Identification				Identificación de Partes				PARTES			
ITEM	PART NO.	QTY.	DESCRIPTION	ITEM	PART NO.	QTY.	DESCRIPTION	ITEM	NUM.	CANT.	DESCRIPCIÓN
1	8110936	1	Chassis	38	8110411	1	Cone, Medium	74	8308535	1	Spacer
2	8143862	1	Pad, Anti-Skid	39	8110412	1	Cone, Large	75	8308074	2	Bushing, Rear
3	8308860	1	Cover, Hand Hole	40	8308820	1	Spring, Cone Back	76	8104200	1	Washer, Int. Lock 3/8 ID
4	8106301	10	Screw, 1/4 x 3/4 HH Self-Tap	41	8308171	1	Stub Shaft	77	8111136	2	Screw, 1/4 x 1/2 HH Self Tap
5	8106303	6	Nut, 3/8 Whiz Lock	42	8113048	1	Motor, 110V	78	8113554	1	Hood Swich Shield, UL
6	8114473	3	Piezo Assembly Kit		81130482	1	Motor, 220V	79	8106302	3	3/8-16 x 0.875 Hex Washer
7	8301017	3	Ball, Steel, 1/2" Dia., Piezo	43	8143847	1	Plug, 3/4	80	8143826	1	Hood Weldment Bracket
8	8307022	2	Bracket, Capacitor	44	8308817	1	Shutter, Encoder	81	8106303	3	3/8-16 UNC
	8110558	1	Bracket Capacitor	45	8110902	1	Encoder Assembly	82	8309008	1	Molding - Stop, Hood
9	8111815	1	Capacitor Assembly, 1P 110V	46	8308859	1	Cover, Encoder	83	8301121	1	Plain Washer
	8111814	1	Capacitor Assmy, 1P 220V	47	8301072	3	Washer, Lock #6	84	8301120	1	1/2-13 UNC-2 1 1/2 HHCS Screw
10	8113996	4	Standoff, 8-32 male, 3/4 high	48	8301063	3	Screw, 6-32 x 1/2				
11	8301094	2	Screw, 8-32 x 3/4 Flat Head	49	8301016	1	Bolt, Shoulder, 3/8 x 3/8 Lg.	85	8309818	1	Hood Bar Weldment
12	8301084	4	Nut, #8-32 Kep	50	8301035	4	Nut, 3/8-16 Nyloc	86	8308818	1	700 Hood
14	8106302	6	Screw, 3/8 Whiz Lock	51	8308036	4	Ret, Piezo Spring	87	8106301	9	Screw-Hex Washer Head
15	8111218	1	Breaker, 2 Amp	52	8307008	4	Spring, Piezo	88	8307014	2	Nylon Flanged Bearing
16	8301067	12	Screw, #6-32 Phillips PHM, Patch Lock	53	8111074	1	Cradle, Motor	89	8301122	1	1/2-13 Hex Nylock Nut
17	8305802	1	Switch, On-Off	54	8114151	2	Special Shoulder Bolt	90	8301066	2	#6-32 Kep Nut
18	8110897	1	Power Panel	55	*8301121	4	Washer, 1/2	91	8144114	1	Interlock Switch
19	8106304	2	Skin Fastener, Tinnerman	56	8308808	1	Flex Plate	92	923603	2	6-32 x 1.00 Pan Head
20	8111793	1	PCB Assembly	57	8106303	4	Nut 3/8-16 Flanged	93	921256	1	1/4-28 x 0.750 SHCS
21	8110579	1	Touch Panel	58	8108727	4	Stud, 3/8-16 x 6.75	94	8113555	1	Hood Collar Kit
22	8308878	1	Weight Tray	60	8143845	1	Gasket, motor	95	8112836	1	Interlock Wire Assembly
23	8308017	1	Button, Rubber, Black	61	8111645	1	Scale, Distance Gauge	96	8114470	4	Screw, 3/8 x 1 Whiz Lock
25	8306806	1	Transformer	62	8143808	1	Assembly, Distance Gauge				
26	8111542	6	Screw, #8-32 x 1/2 Phillips Pan Head	63	8111818	1	Harness, Power Panel				* Before S/N 0606304934 use 8120325
27	81140531	1	Motor Control Board	64	8110903	1	Harness, Piezo				
28	8143956	2	Retainer, Bushing	65	8111066-5	1	Wire Assmy, 22 AWG Brown				
29	8110168	1	Stop, Distance Gauge	66	8111802	1	Wire Assmy Switch to M/C Board				
30	8308023	1	Spring, Distance Gauge	67	8111803	1	Wire Assmy Transformer to M/C Board				
31	8107635	2	Washer, 3/8" Flat	68	8111805-1	1	Wire Assmy PCB to M/C Board				
32	8301142	1	Washer, Lock	69	8111819	1	Wire Assmy Interlock Switch				
34	8110543	1	Hub Nut	70	8143796	1	Power Cord, 110V Plug				
35	8110542	1	Pressure Drum, Small		8143796-2	1	Power Cord, 1P 220V				
36	8308105	1	Ring, No-Mar	71	86058	1	Strain Relief				
37	8110410	1	Cone, Small	72	8308550	1	Arm, Distance Gauge				