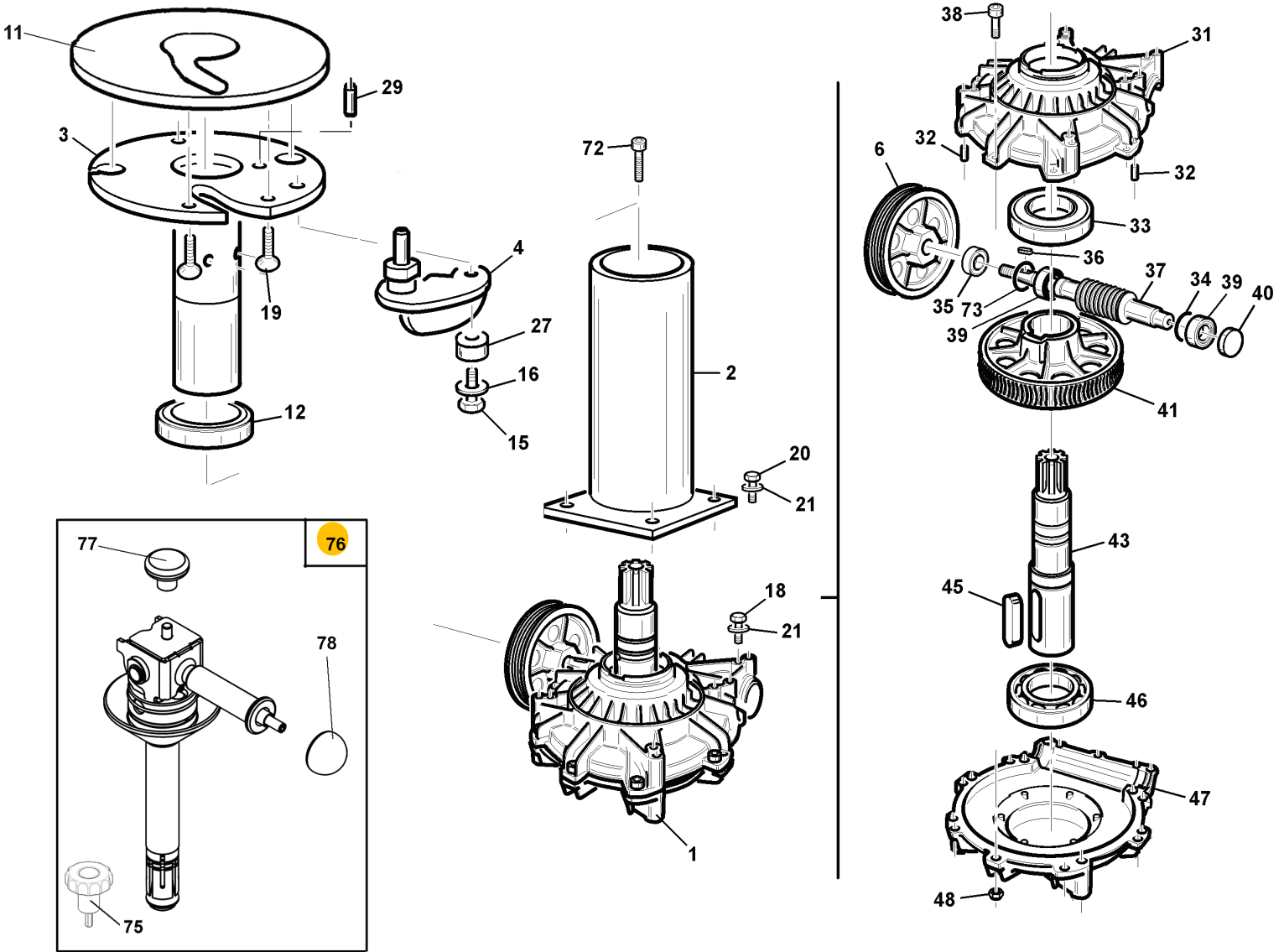


# Center Post Assembly



# Center Post Assembly

Item	Part No.	Description
1	82033133	REDUCTION GEAR FOR PNEUM. S.
2	87018063	CHUCK SUPPORT
3	82133266	QUICK HAND CHUCK
4	82131342	ANTIROTATION DEVICE
6	83010863	GEARBOX PULLEY
11	83031339	ADAPTOR FLANGE
12	84296945	BEARING 60X110X22
15	84398582	SCREW 12x25
16	84398637	WASHER 12X21X2.5
18	84399933	SCREW 10x50
19	84399120	SCREW 10x20
20	84399877	SCREW 10x60
21	84399378	WASHER 10
27	83000108	CONNECTING ROD SPACER
29	83199580	ELASTIC PIN D.8x20
31	83010872	GEAR BOXTOP COVER
32	84396940	PARALLEL PIN 8x20
33	84296945	BEARING
34	84399974	STEEL SHIM 20,5x28x0,5
35	84296944	BEARING
36	84396947	TAB 6X6X18
37	83010883	WORM SCREW
38	84399134	SCREW 8x30
39	84296944	BEARING
40	83010886	SEALING CAP
41	83010884	HELICAL GEAR
43	83010916	ASHORT SHAFT
45	84396948	TAB 16X10X70
46	84296910	BEARING 60X110X22
47	83010873	BOX
48	84399900	SELF-LOCKING NUT M8
52	83018675	RING NUT
53	83018673	CHUCK SCREW
54	84398783	ELASTIC PIN D.4x24
59	82018674	RING NUT
60	82031195	SHAFT UNIT + ELASTIC PIN
72	84393981	SCREWTCEI M 16x1,5x50
73	84294205	SEAL D.40X35X4
75	82041474	SCREW ADJUSTMENT
76	82045286	SMART LOCK GROUP
77	86241543	MUSHROOM-SHAPED HANDLE - RED
78	87041544	ROUND KNOB