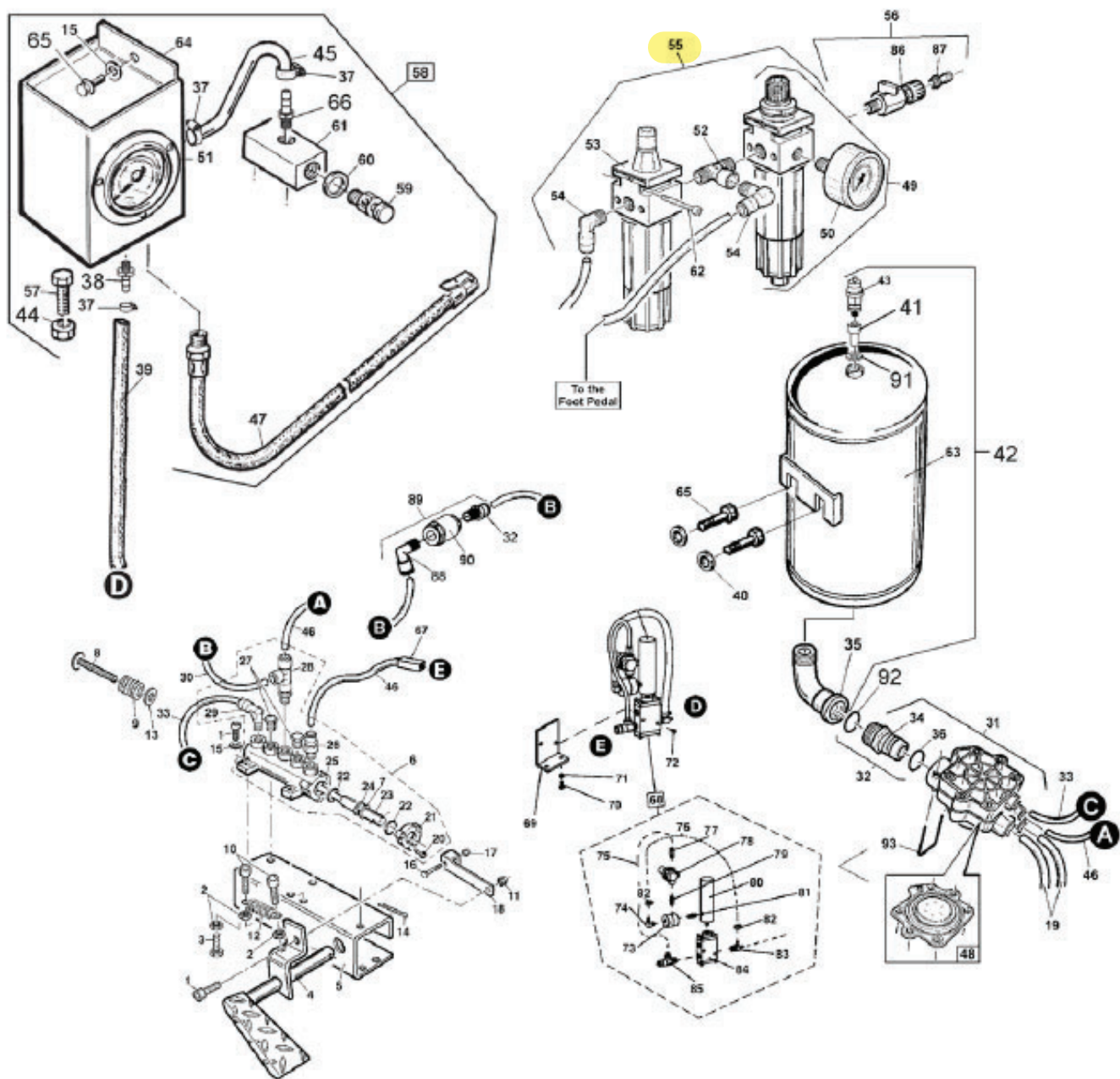


INFLATION GROUP



INFLATION GROUP

Item No	Part No.	Description	Item No	Part No.	Description
1	84399890	Screw M6x20 - 8.8	56	82012960	Air Intake Unit
2	84399889	Nut M6	57	84399946	Screw 8x16
3	84399892	Screw M6x20 - 8.8	58	82008892	Pneumatic Unit
4	82110288	Pedal Gt	59	84299354	Pushbutton Relief
5	83010287	Pedal Support Gt	60	84399256	Washer 1/4"
6	82009718	Valve Unit	61	83002353	Distribution Frame
7	84398634	Seeger ring D.10	62	84396593	Screw 4x40
8	84399229	Screw 6x10	63	86645462	TANK Lt.20 Bar11 D.241
9	84298942	Spring D.20x26	64	86608895	GT Unit Box
10	84399999	Screw M6x25 - 8.8	65	84398723	Screw M6x12
11	84399893	Nut Self-Locking M6	66	84198766	CONNECTION 1/8"
12	83000141	Spring	67	84197408	Union, Manifold
13	84398807	Washer 14 (15x28x2,5)	68	88111186	Pressure Limiter Assembly
14	84399100	Split Pin D.3,2x30	69	83008992	Pressure Regulator Bracket
15	84399998	Washer 6 (6,4x12x1,6)	70	84399300	Screw M6 x 12 8.8
16	84399897	Screw M14x25 - 8.8	71	84399998	Washer M6 (6,4 x 12 x 1,6)
17	84399895	Nut Self-Locking M4	72	84399299	Screw 6 x 30 8.8
18	83001853	Valve Control Lever	73	88109468	Pressure Repeater
19	83002109	Hose Rilsan D.14x11	74	88110497	Fitting-90 Deg. Male Elbow
20	84398999	Screw Self-Tapping 3,5x13	75	88182038	Nylon Tube 1/4" OD x 10" Lg.
21	83001585	Flange For Velve 3001583	76	88103649	Ø1/4" x 12" Hose
22	84299000	O-Ring 9,8x3,85	77	88182035	Male St Fit. 1/8 NPT x 1/4 Tube G
23	83001849	Gt Pneumatic Valve Shaft	78	88111083	Regulator
24	83001584	Spacer For Valve 3001583	79	88109472	1/8" Inline Filter
25	83001583	Valve Distribution	80	88110496	Volumn Chamber
26	84198954	Quick Union 6510 1/8" - 8	81	88109471	1/8" Brass Hex Nipple
27	84199161	Plug	82	88101428	Hose Clamp-1/4 ID Hose
28	84199888	T-Union	83	88110325	1/4" NPT Male Run Tee
29	84199098	Quick Union 1/8" 6-4	84	88109466	Valve-Piloted
30	83010062	Hose Rilsan D.8x6 L=1300	85	88111255	Spl Tee=1/4 NPT x 3/8 x 1/4 Tube
31	82017491	Valve Pneumatic 1"	86	84196354	Valve 400 1/4" F-F
32	82017906	Quick Union	87	84199987	Connection
33	83002110	Hose Rilsan D.6x4 L=580	88	84198883	Quick Union 6500 1/4" - 8
34	83017573	Quick Union	89	82009509	Unidirectional valve group
35	84194765	90° M/F 1" Union	90	84198853	Unidirectional valve 1/4"
36	84294755	O-ring 2100 D.25,12x1,78	91	84197938	Aluminum Washer 1"
37	84197390	Hose Clamp D.8X13 H9	92	84294322	O-ring 3112 D. 28,24x2,62
38	84199026	Union	93	83017494	U-Fork
39	83009093	Hose D.6x12 L=1500			
40	84398848	Washer M6 (6,6X11X1,5)			
41	84198721	Reducer Piece 1" M 1/4" F			
42	2019192A	Air Tank			
43	4198703A	Relief Valve - 1/4 NPT			
44	84399976	Nut M8			
45	83009092	Hose 6x12			
46	83099336	Hose Rilsan 8x6			
47	82009045	Hose Gt Control Unit			
48	82017495	Valve Diaphragm			
49	84196480	Filter			
50	84198071	Pressure Gauge			
51	84197428	Pressure Gauge 60PSI			
52	84198973	Union 1/4"			
53	84196481	Lubricator			
54	84198883	Quick Union 1/4"			
55	82012307	Lubricator+Filter Regulator			