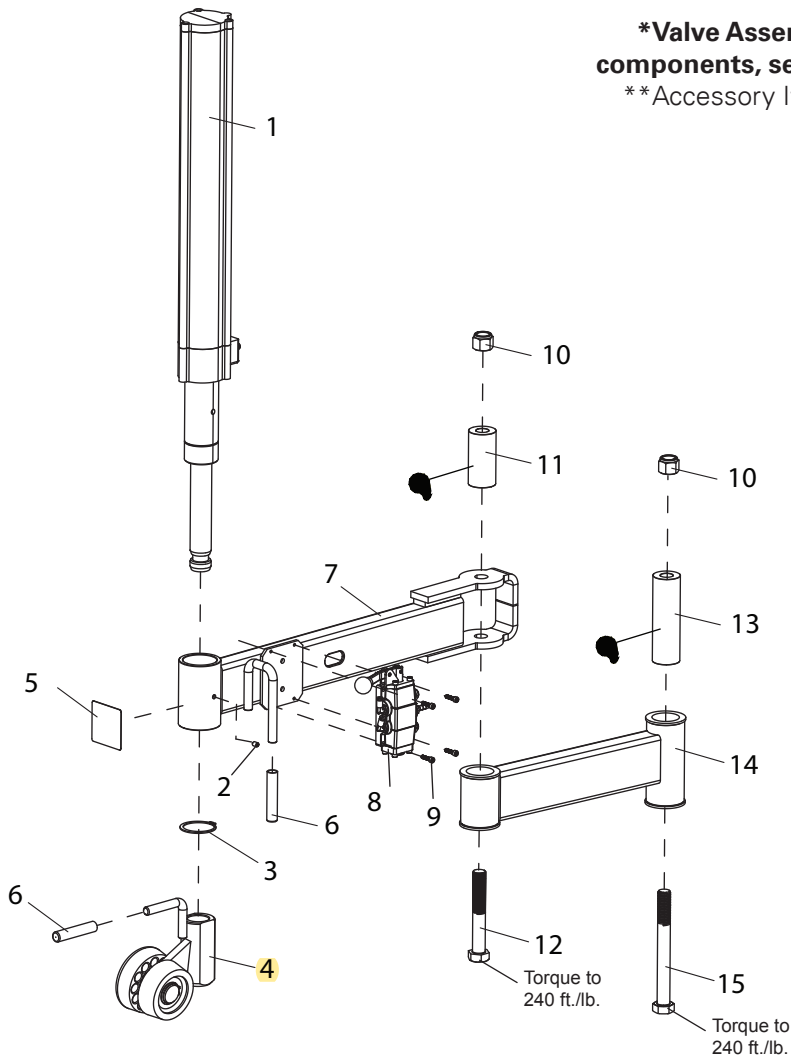


RoboRoller™ Powered Assist Assembly

Item	Part No.	Description
1	85608884	2.5" RC, Cylinder Assembly
2	902308	1/4-20 x 3/8 Knurled Cup PT SHSS
3	8183637	2" Ext. Retaining Ring
4	8185598	Aux. Roller Assembly
5	85000204	UP/DOWN Decal
6	7000230	1/2" Rubber Hand Grip
7	85611802	Front Arm Weldment (Black)
8	85611866	*Valve Assembly
9	8182001	10-24 x 3/4 Lg. SHCS, Screw
10	8182016	3/4"-10 Nylon Insert Lock Nut, Gr.5
11	85611823	Pivot Pin
12	8182579	Hex Head Cap Screw
13	8181038	Helper Arm Pivot Pin
14	85611806	Rear Arm Weldment (Black)
15	85610016	3/4-10 x 7 HHCS Screw, Gr.5

***Valve Assemblies (available only as individual components, see page 13)**

**Accessory Item



 APPLY GREASE TO THESE LOCATIONS