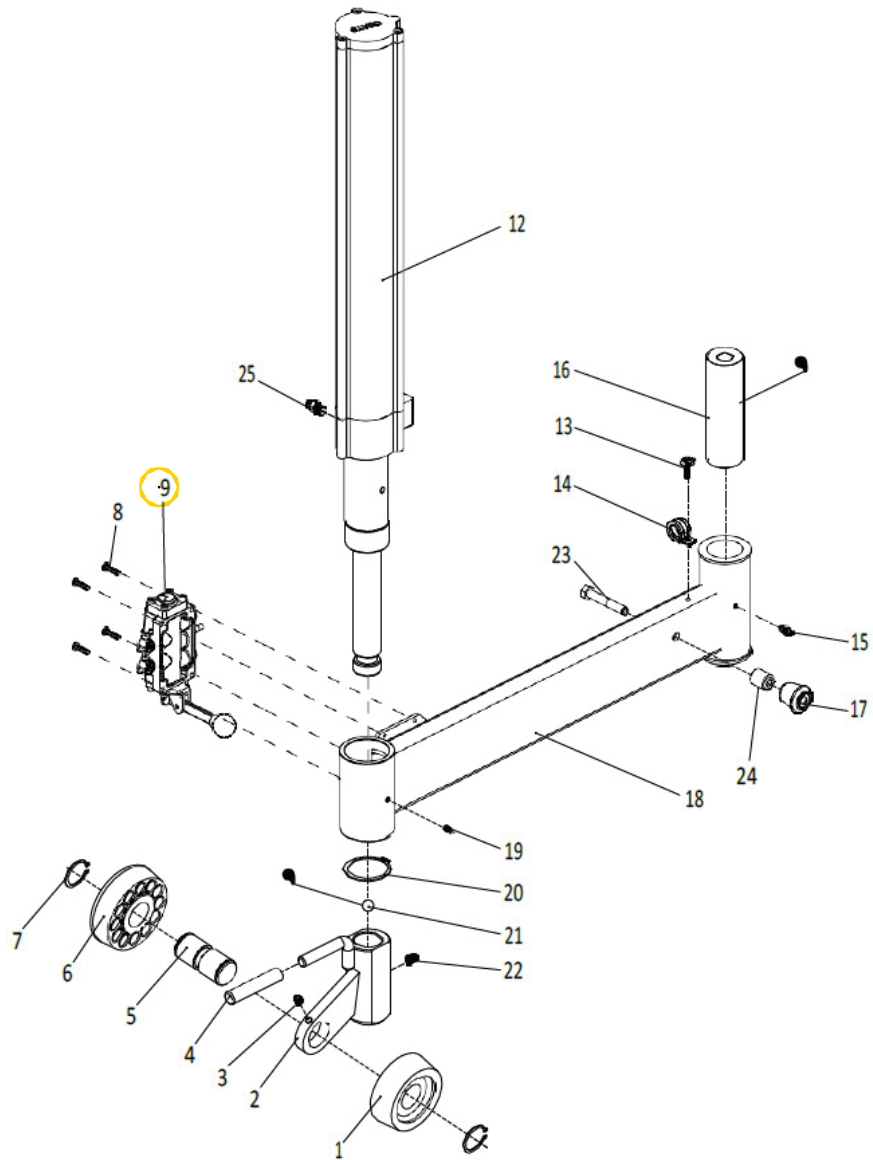


Robo Roller Arm Assembly (If equipped)



Item	Part No.	Description	Item	Part No.	Description
1	8185593	Aux Arm Small Roller	15	8184226	Grease Fitting, St.
2	8185597	HOUSING/BRACKET W/C	16	8181038	Swing Arm Pivot Pin
3	8180217	5/16-18 x 3/8" SHSS, Gr.5	17	8185601	3/4 ID Bumper
4	7000230	Rubber Hand Grip, 1/2	18	8184941	Aux Arm Weldment
5	8185594	Aux Roller Shaft	19	8183649	1/4-20 x 5/16" Soc Hd Set Screw
6	8185592	Aux Arm Large Roller	20	8183637	Ext. Retaining Ring, ø2
7	8100964	1.250" Ext Retaining Ring	21	8301017	ø1/2, Steel Ball
8	8182001	10-24 x 3/4 Lg. Screw SHCS	22	8130026	3/8-16 x 1/2 SHSS Screw
9	***	Aux Arm Valve Assembly	23	8181137	3/8-16 x 2-1/4 Hex Hd.Cap Scr, Gr.5
10	8181996	1/8 NPT x 1/8 St. Male Fitting	24	8185539	Aux Arm Block Stop
12	85608884	Cyl. Assem. 2" Dia. x18" Stroke	25	8109481	1/4 NPT x 1/8 NPT RDCR Fitting
13	8106301	1/4" Hex Hd Self Tap Screw, Gr.5			
14	8182044	Neoprene Cushion Clamp			

Valve Assemblies

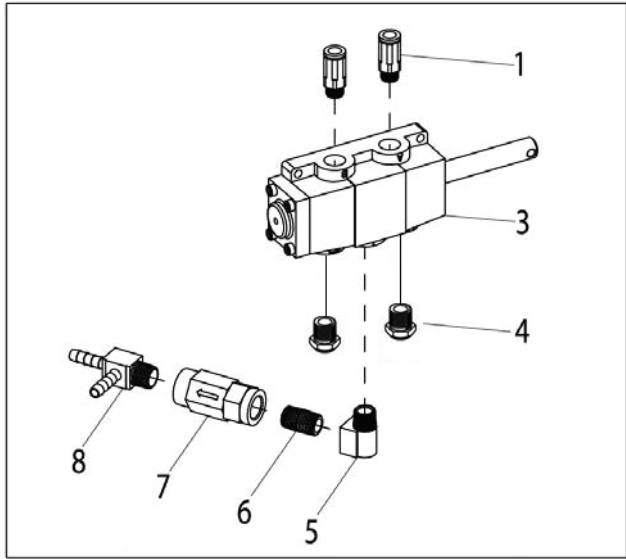
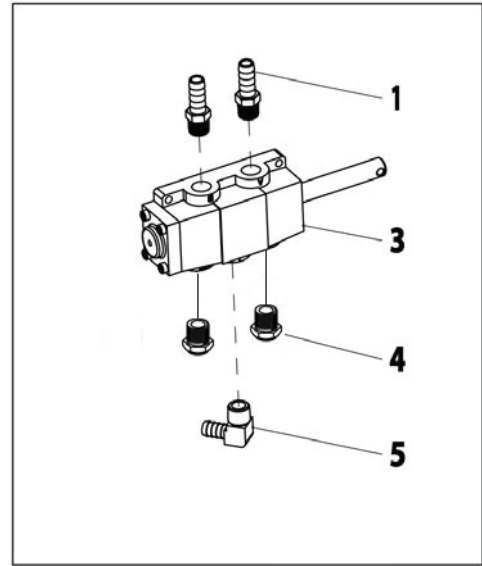


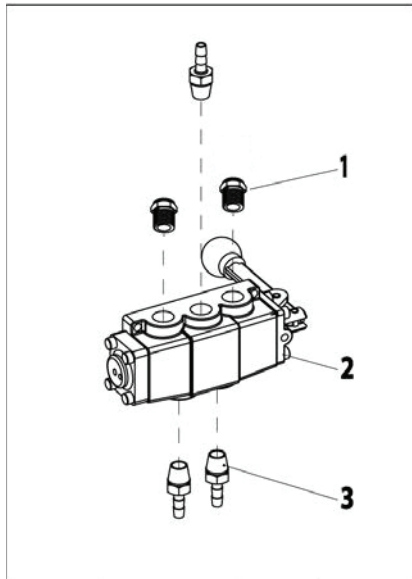
Table Top Clamp Pedal Valve Assy

Item	Part No.	Description
1	8185745	8mm Fitting
3	8184369	Valve, 4-Way w/Pull Pin
4	85607855	Muffler
5	8000372	1/4" x 90° Street Ell
6	8000580	Nipple - Close, 1/4 NPT
7	8104969	Check Valve
8	8110325	1/4" NPT Male Run Tee



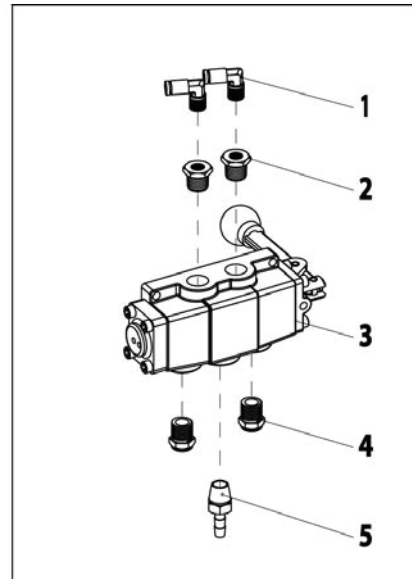
Air Motor Pedal Valve Assy

Item	Part No.	Description
1	8101898	St. 1/4" NPT 3/8" Hose Fitting
3	8184369	Valve, 4-Way w/Pull Pin
4	85607855	Muffler
5	8184256	1/4NPT, 1/4HSE" ELL Fitting



Hor. Slide Valve Assembly

Item	Part No.	Description
1	85607855	Muffler
2	8185621	Valve, 3 Position
3	8000378	1/4" Brass St. Fitting



Aux Arm Valve Assembly

Item	Part No.	Description
1	8181997	90° Elbow 1/8 NPT x 1/8" Fitting
2	8109481	1/4 NPT x 1/8 NPT RDCR Fitting
3	8185586	Valve-3POS
4	85607855	Muffler
5	8000378	1/4" Brass St. Fitting