

Foot Pedal Assemblies

Electric Model Foot Pedal Assembly

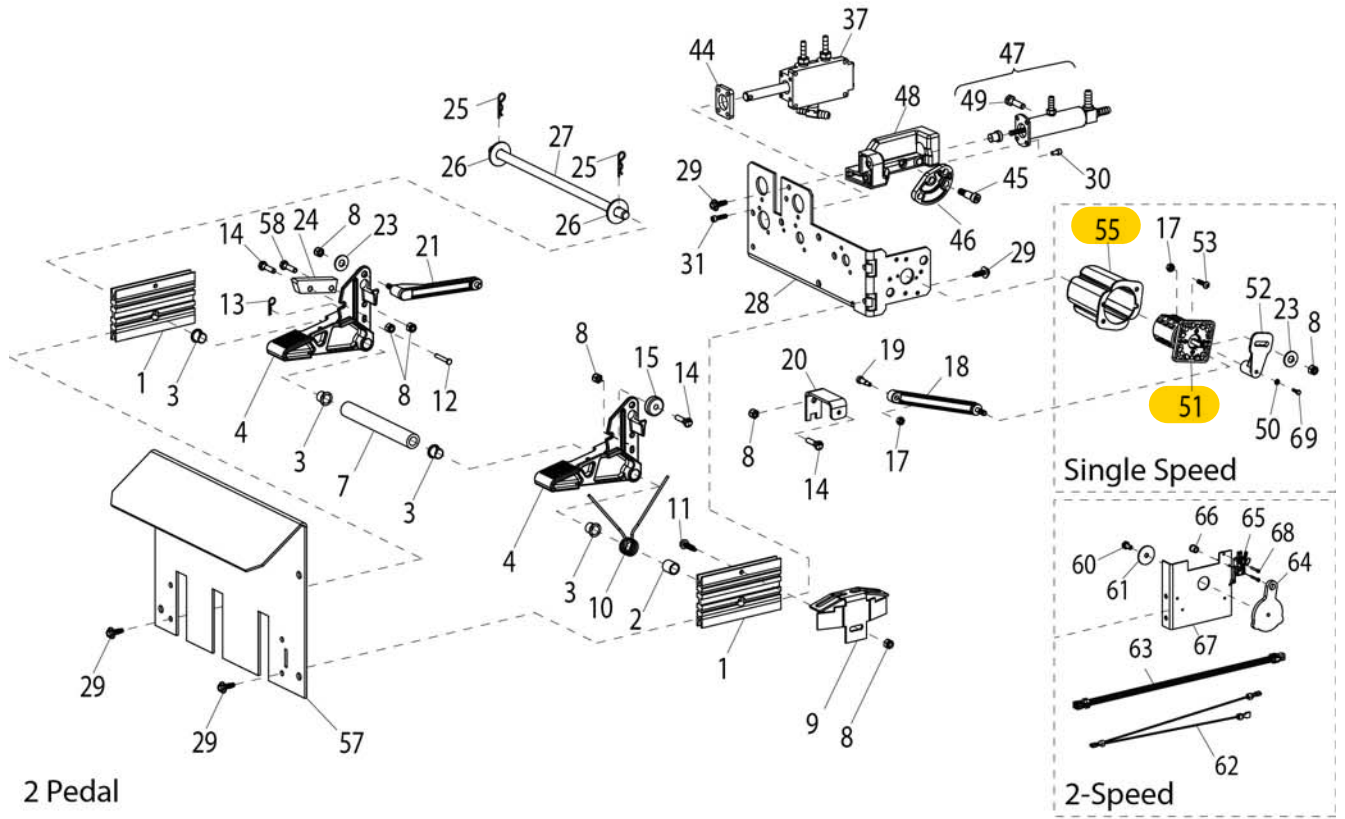
Item	Part No.	Description
1	8181918	Valve Brkt. Spacer Bar
2	8181872	Torsion Spring Sleeve
3	8181948	1/2" Nylinder Bearing
4	8181675	Standard Pedal
5	8182327	Pedal Spacer
6	8181911	Pedal Spacer
7	8182358	Pedal Spacer
8	8181369	1/4-20 Lock Nut, Nyl. Ins. Gr.5
9	8182670	Spring Stop Bracket
10	8181707	Torsion Spring
11	8104945	1/4 x 1 HWHSTC, Gr.5
12	8181977	3/16" x 1-1/2" Clevis Pin
13	8120469	Hair Pin Cotter
14	8181984	1/4-20 x 1" Hx.Hd.Cp.Scr., Gr.5
15	8181923	Stop Washer
16	8181708	Pedal Extension Spring
17	8182682	10-24 Nylon Insert Lock Nut Gr.5
18	8181699	Lever Assembly - Switch
19	8182743	10-24 x 3/8 SHCSS Gr.8
20	8182363	Spacer - Sw Pedal Lever-Red
21	8501003801	Cam Lever Follower
23	8107635	5/16" Flat Washer
24	85608197	Pedal Stop
25	8107419	Hair Pin Cotter
26	8301121	Washer
27	8183398	Pedal Shaft
28	85009985	Valve Mounting Bracket
29	8106301	1/4" Hex Hd Self Tap Screw, Gr.5
30	8181989	10-24 x 3/8 SHCS, Gr.8
31	8182001	10-24 x 3/4 SHCS
37	see p.22	Valve, TT Clamp Pedal
38	see p.22	Valve, TT Rotation Pedal
44	85009982	Spacer-Valve, Clamp, TT
45	8301537	5/16-18 x 1/2 SHSHS Screw
46	85608195	Pivot Link
47	8184675	Oil Injector Assembly
48	85608560	Block-Lower Stop Pedal
49	8103737	Release Valve

Item	Part No.	Description
50	8301072	#6 Internal Tooth Lk Washer
51	8182958	Reversing Switch, Kit
52	8181728	Switch Actuator Lever
53	8181983	10-24 x 5/8 BHSCS, Gr.8
55	8181959	Cover-Switch
57	8182332	Guard-Foot Pedal
58	8106455	Clevis Pin
59	8103737	Release Valve
60	902189	1/4-20 x.504 HHCS
61	8111032	1/4" Heavy Fender Washer
62	85609741	2-Speed, 2-Wire Harness
63	85609742	2-Speed, 4-Wire Harness
64	85609743	Disk Switch
65	85609746	Foot Pedal Switch
66	85000357	#4-40 Nut-Hex, Nylk
67	85609917	2-Speed, Switch Plate
68	95000064	#4-40 x 3/4 Lg. SHC Screw
69	8181982	Screw, -HHCS,M3X12

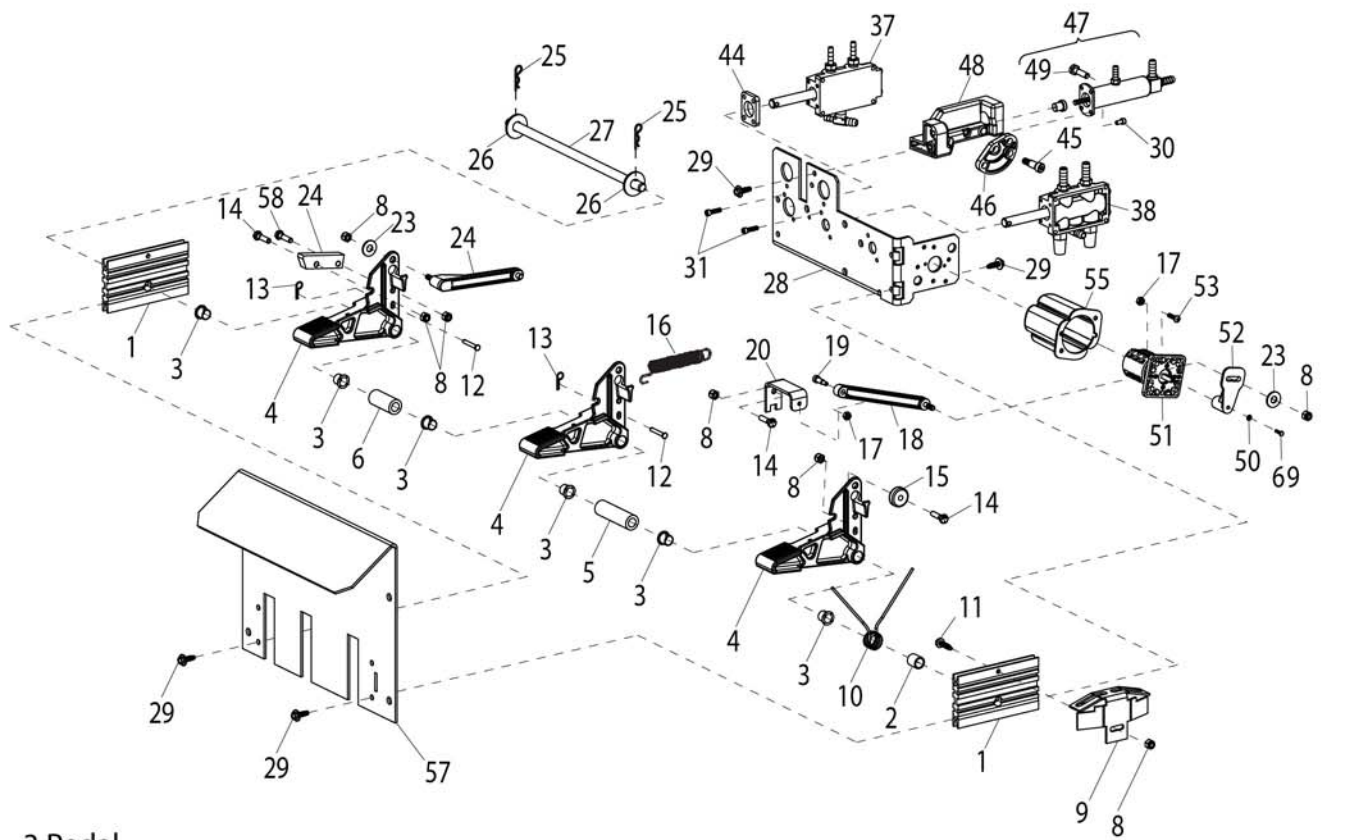
***Valve (available only as individual component, see page 22)**

**Accessory Item

Foot Pedal Assembly (Elec.)



2 Pedal



3 Pedal