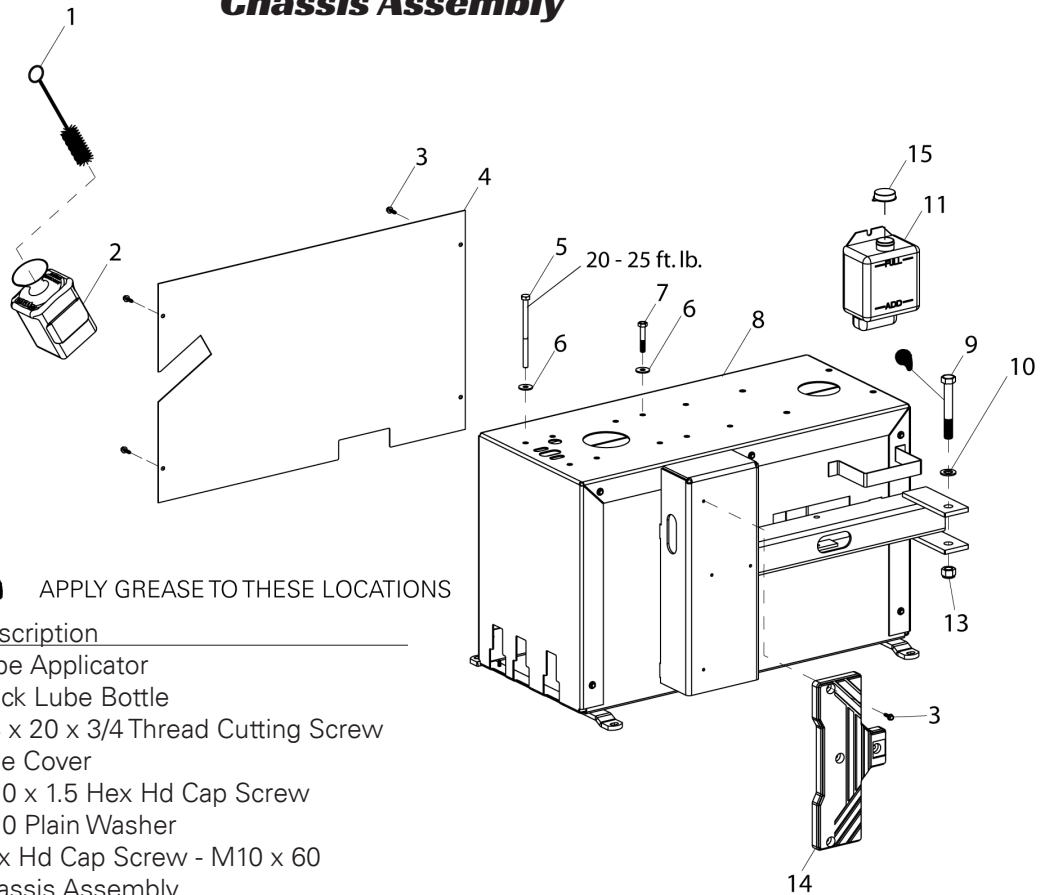


Chassis Assembly

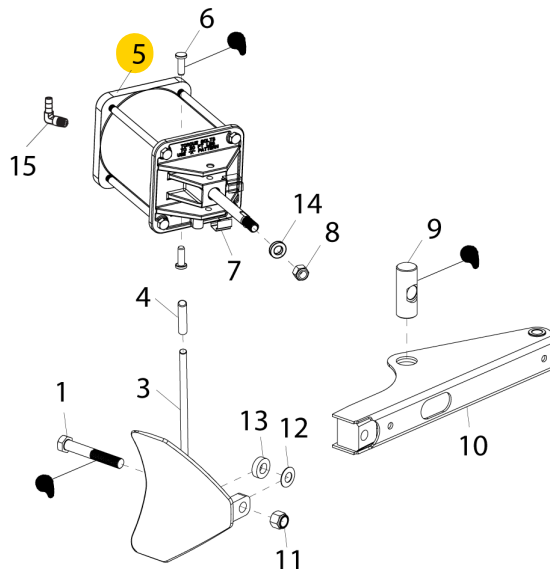


● APPLY GREASE TO THESE LOCATIONS

Item No	Part No.	Description
1	8000491	Lube Applicator
2	85610365	Black Lube Bottle
3	8106301	1/4 x 20 x 3/4 Thread Cutting Screw
4	85610452	Side Cover
5	85606979	M10 x 1.5 Hex Hd Cap Screw
6	85606982	M10 Plain Washer
7	85607258	Hex Hd Cap Screw - M10 x 60
8	85607020	Chassis Assembly
9	85607352	M18 x 2.5-130 Bolt
10	85607359	M18 Plain Washer
11	85610404	Lubricating Oil Reservoir
13	85607351	M18 x 2.5 Nylock Nut
14	85607027	B.L. Pad
15	85610406	Lube Oil Reservoir Cap, Blk

BL Arm Assembly

Item No	Part No.	Description
1	8182579	M18 x 2.5-130 Bolt
3	8182473	B.L. Shoe Weldment
4	7000230	1/2 x 3 Handle Grip
5	8182709	B.L. Cylinder Assembly
6	85606965	Clevis Pin
7	85607250	Clevis Retainer Clip
8	85606985	M16 x 1.5 Hex Jam Nut
9	8182550	Pivot Pin B.L. Cylinder Rod
10	85610453	B.L. Arm Weldment
11	8182016	3/4-10 Hex Nylock Nut
12	8182558	3/4 Belleville Washer
13	8182557	B.L. Spacer Washer
14	85607419	17 x 30 x 6mm Flat Washer
15	85607165	8mm female, 1/4 threaded fitting



● APPLY GREASE TO THESE LOCATIONS