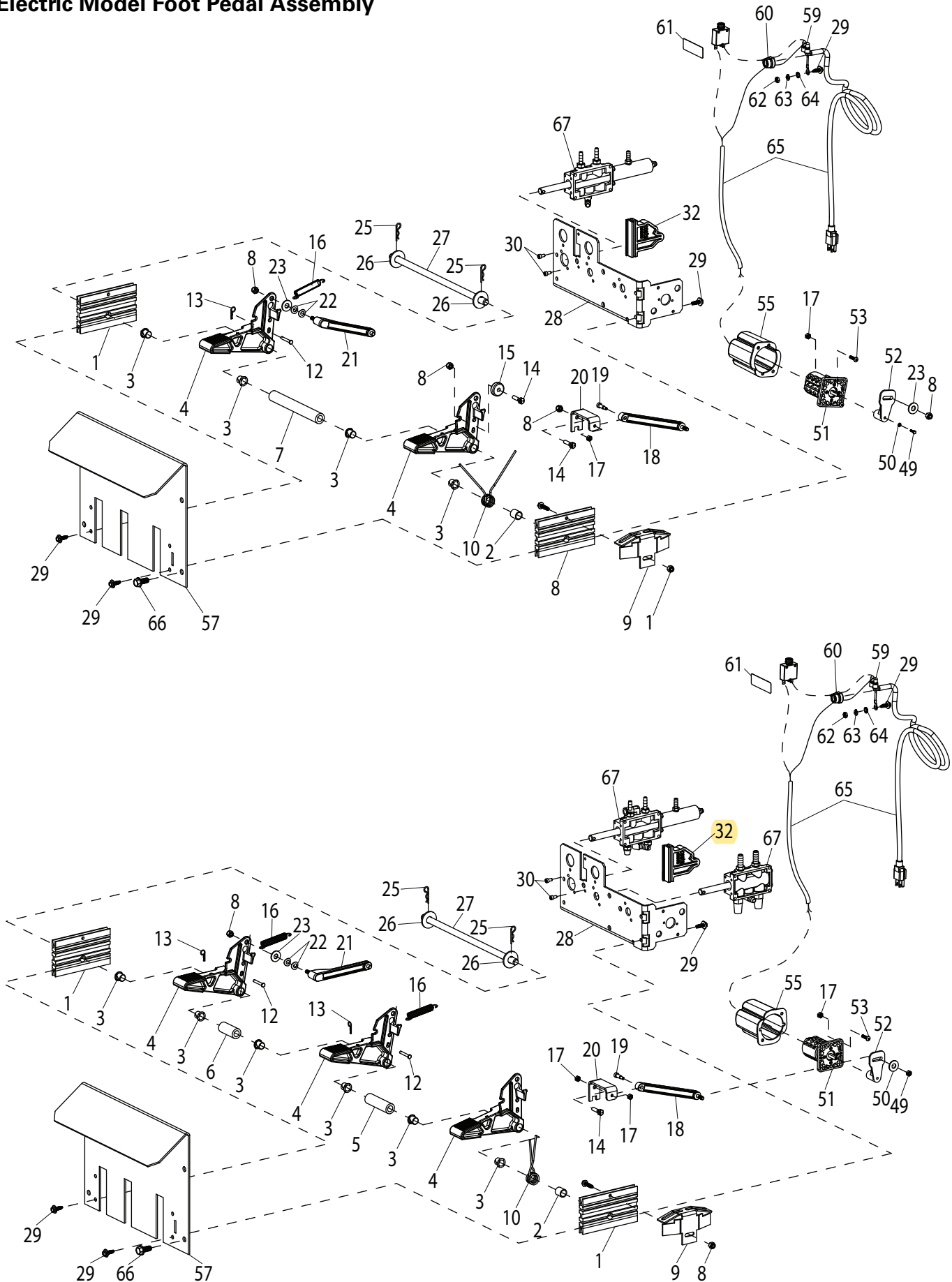


Foot Pedal Assembly

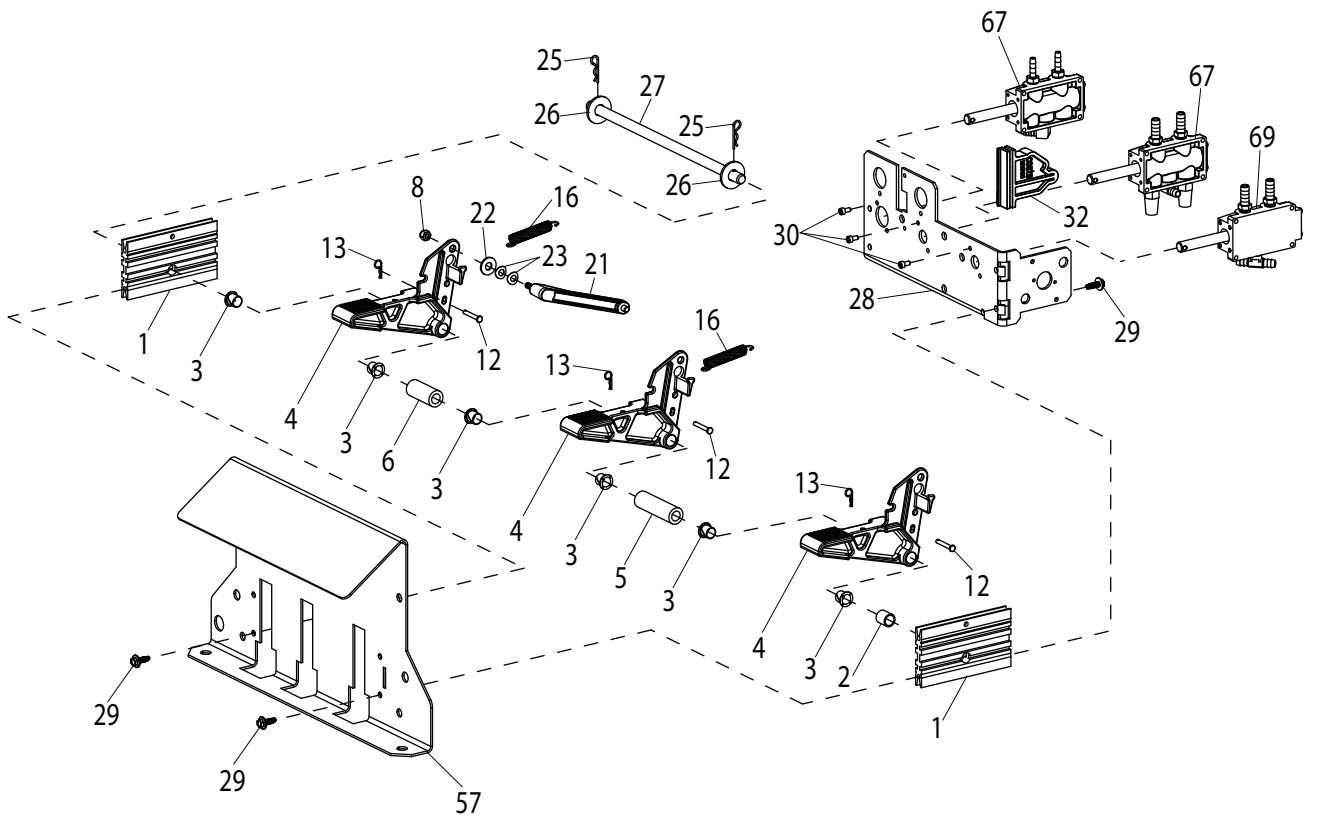
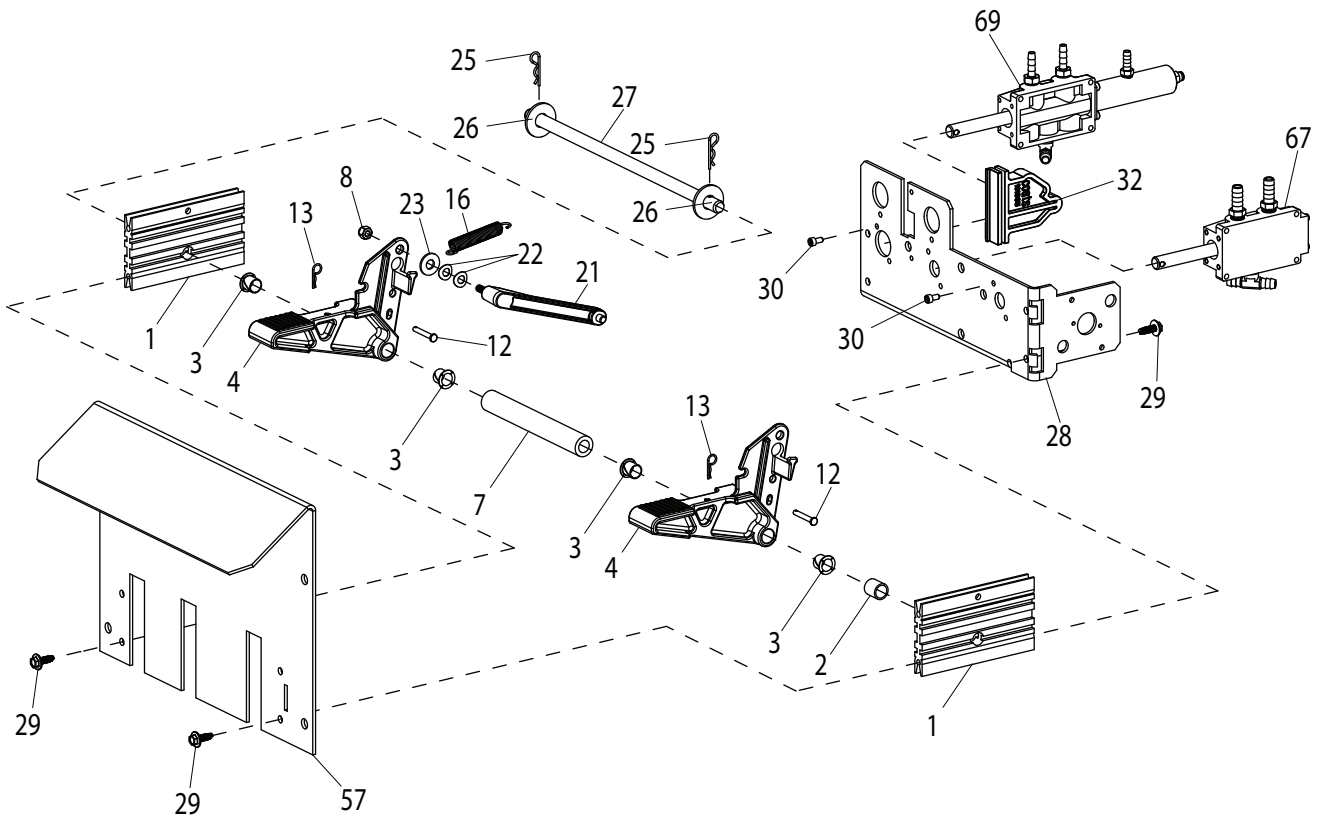
Electric Model Foot Pedal Assembly



| ITEM | PART NO. | DESCRIPTION | ITEM | PART NO. | DESCRIPTION |
|------|----------|-------------------------------------|------|----------|--|
| 1 | 8181918 | Bar-Valve Brkt. Spacer | 30 | 8181989 | 10-24 x 3/8 SHCS, Gr.8 |
| 2 | 8181872 | Sleeve-Torsion Spring | 32 | 8181695 | Cam-Mounting Block |
| 3 | 8181948 | Bearing-Nyliner, 1/2" | 49 | 8181982 | 3MM x 12mm HHCS Gr.5 |
| 4 | 8181675 | Pedal, Standard | 50 | 8301072 | #6 Internal Tooth Lk Washer |
| 5 | 8182327 | Pedal Spacer | 51 | 8184389 | Switch-Reversing (switch only) |
| 6 | 8181911 | Spacer-Pedal | 52 | 8181728 | Lever - Switch Actuator |
| 7 | 8182358 | Spacer-Pedal | 53 | 8181983 | BHSCS 10-24 x 5/8, Gr.8 |
| 8 | 8181369 | Nut - Lock, Nyl. Ins., 1/4-20, Gr.5 | 55 | 8181959 | Cover-Switch |
| 9 | 8182670 | Spring Stop Bracket | 57 | 8182332 | Guard-Foot Pedal |
| 10 | 8181707 | Torsion Spring | 59 | 8143254 | Wire Joint |
| 12 | 8181977 | Clevis Pin 3/16" x 1-1/2" | 60 | 906077 | Strain Relief |
| 13 | 8120469 | Hair Pin Cotter | 61 | 8180237 | Caution Decal |
| 14 | 8181984 | Hx.Hd.Cp.Scr., 1/4-20 x 1", Gr.5 | 62 | 8107440 | 14-20 Hex Nut Gr.5 |
| 15 | 8181923 | Washer - Stop | 63 | 8301142 | Washer, 1/4" Spring Lock |
| 16 | 8181708 | Extention Spring, Pedal | 64 | 8150441 | 1/4" Star Lock Washer |
| 17 | 8182682 | 10-24 Nylon Insert Lock Nut Gr.5 | 65 | 8181603 | Power Cable Assy (5040) |
| 18 | 8181699 | Lever Assembly - Switch | | 8184961 | Power Cable Assy, 220V (5040) |
| 19 | 8182743 | 10-24 x 3/8 SHCSS Gr.8 | | 8181956 | Pwr Cable Assy, 115V, w/o breaker (5050, 5060, 5065) |
| 20 | 8182363 | Spacer - Sw Pedal Lever-Red | | | |
| 21 | 8181696 | Lever-Cam Follower | 65 | 8182257 | Pwr Cable Assy 115V w/breaker |
| 22 | 8181981 | Wave Washer, 5/16" I.D. | | 8182712 | Pwr Cable Assy 220V, 50Hz, 1Ø (5060) |
| 23 | 8107635 | 5/16" Flat Washer | | 85000653 | Pwr Cable Assy 220V w/o breaker (5065) |
| 25 | 8111609 | Cotter, Hair Pin | | | |
| 26 | 8301121 | Washer | 66 | 8102459 | 3/8" Self Tap Screw Gr.5 |
| 27 | 8183398 | Pedal Shaft | 67 | 8181986 | Valve, 4-Way w/Pull Pin |
| 28 | 8183031 | Bracket-Valve Mounting | *70 | 8181587 | Circuit Breaker (5060 - C.S.A.) |
| 29 | 8106301 | 1/4" Hex Hd Self Tap Screw, Gr.5 | | | |

*Not Shown

Air Model Foot Pedal Assembly



| ITEM | PART NO. | DESCRIPTION | ITEM | PART NO. | DESCRIPTION |
|------|----------|-------------------------------------|------|----------|--------------------------------------|
| 1 | 8181918 | Bar-Valve Brkt. Spacer | 25 | 8111609 | Cotter, Hair Pin |
| 2 | 8181872 | Sleeve-Torsion Spring | 26 | 8301121 | Washer |
| 3 | 8181948 | Bearing-Nyliner, 1/2" | 27 | 8183398 | Pedal Shaft |
| 4 | 8181675 | Pedal, Standard | 28 | 8183031 | Bracket-Valve Mounting |
| 5 | 8182327 | Pedal Spacer | 29 | 8106301 | 1/4" Hex Hd Self Tap Screw, Gr.5 |
| 6 | 8181911 | Spacer-Pedal | 30 | 8181989 | 10-24 x 3/8 SHCS, Gr.8 |
| 7 | 8182358 | Spacer-Pedal | 32 | 8181695 | Cam-Mounting Block |
| 8 | 8181369 | Nut - Lock, Nyl. Ins., 1/4-20, Gr.5 | 57 | 8182332 | Guard-Foot Pedal |
| 12 | 8181977 | Clevis Pin 3/16" x 1-1/2" | 67 | 8181986 | Valve, 4-Way w/Pull Pin |
| 13 | 8120469 | Hair Pin Cotter | 69 | 8181986 | Valve, 4-Way w/Pull Pin (5050, 5065) |
| 16 | 8181708 | Extention Spring, Pedal | | 8184369 | Valve, 4-Way w/Pull Pin (5040, 5060) |
| 21 | 8181696 | Lever-Cam Follower | | | |
| 22 | 8181981 | Wave Washer, 5/16" I.D. | | | |
| 23 | 8107635 | 5/16" Flat Washer | | | |

*Not Shown

Oil Injector Diagram (If equipped)

| ITEM | PART NO. | DESCRIPTION | ITEM | PART NO. | DESCRIPTION |
|------|----------|----------------------------|------|----------|--------------------------------|
| 1 | 8185629 | Tank Reservoir | 8 | 8181996 | 1/8" Tube x 1/8" Flange Screw |
| 2 | 8183452 | 5/16-18 Flange Screw | 9 | 8101898 | St. 1/4" NPT 3/8" Hose Fitting |
| 3 | 924724 | 5/16-18 Flange Hex Nut | 10 | 85000840 | 1/8" x 10 Blk Nylon Tube |
| 4 | 8184243 | 1/4" x 49" Red Rubber Hose | 12 | 8101428 | 1/4-5/8 Hose Clamp |
| 6 | 8000643 | 1/4" NPT Tee | 13 | 8184686 | Spacer Plug |
| 7 | 8109481 | 1/8" x 1/4" NPT Reducer | 14 | 8184675 | Oil Injector |

