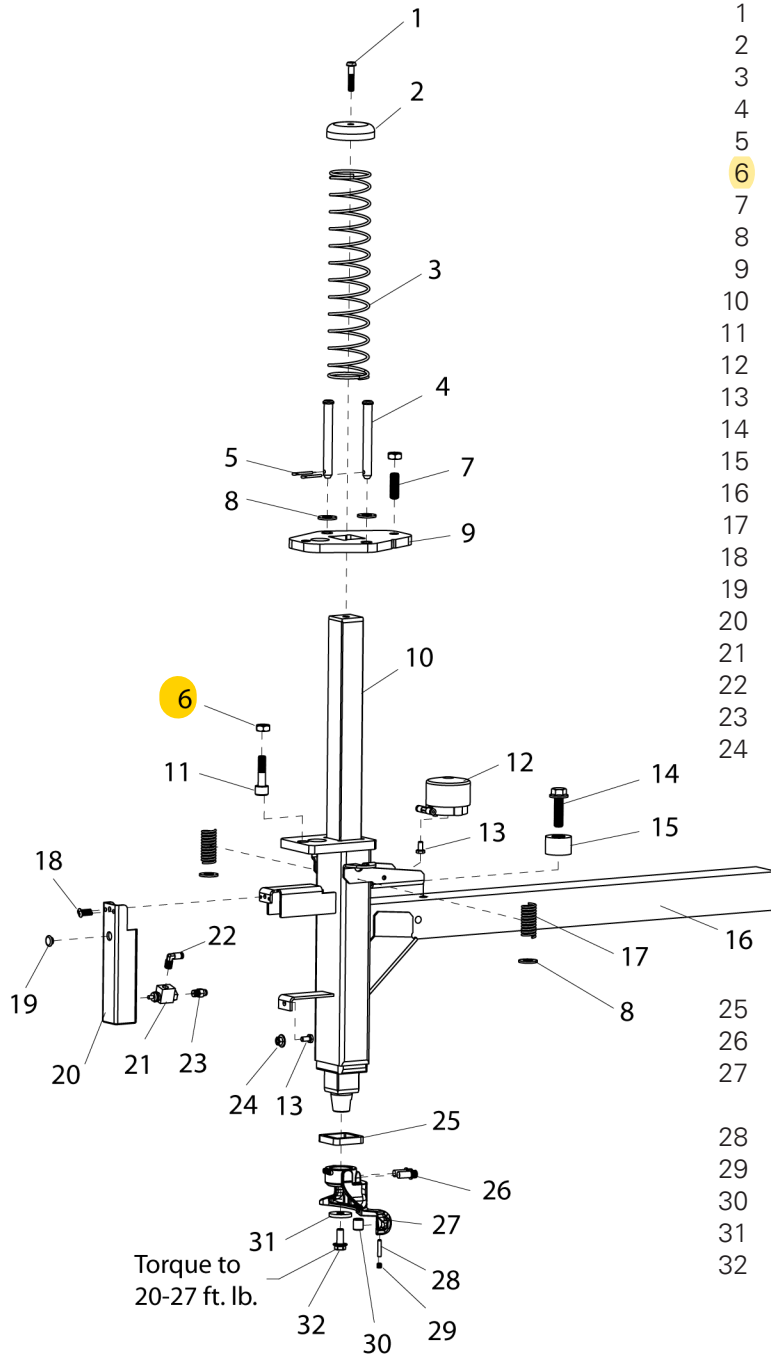


Tiltback Tower Arm Assembly



Item No	Part No.	Description
1	8183151	5/16-18 UNC BHSCS Screw
2	8181771	Vertical Slide Knob
3	8182028	Vertical Slide Spring
4	8111148	Clevis Pin
5	8102278	Cotter Pin
6	8181113	1/2"-13 Jam Nut, Gr. 5
7	8185723	1/2-13 x 1-1/2" Set Screw
8	903214	1/2" S.A.E. Std.Flat Washer
9	8185761	Vertical Slide Lock Plate
10	8182812	Vertical Slide Shaft
11	8181740	1/2-13 x 1-3/4" SHCS Screw
12	85000046	Slide Lock Cylinder Assembly
13	902189	1/4-20 x.504 HHCS
14	8120063	Whiz Lock Bolt
15	8309008	Hood Stop Molding
16	85609794	Horizontal Slide Assembly
17	8185726	Compression Spring
18	8181983	10-24 x 5/8 BHSCS, Gr.8
19	8182047	3 Way Push Botton Valve
20	85610043	Horizontal/Vertical Slide Handle
21	8182385	3 Way Nor Open Valve
22	8181997	90° Elbow 1/8 NPT x 1/8" Fitting
23	8181996	1/4 NPT x 1/8 Tube St. Fitting
24	8143169	1/4-20 Whiz Lock Nut, Gr.5
25	8182031	Rubber Bumper
26	8182813	3/8-16 x 3/4" Ctr Bore Cap Scr, Gr.8
27	8182788	Duckhead® Mount/Demount Tool Kit (Metal)
28	8182786	5MM x 25MM Dowel Pin
29	8140667	1/4-20 x 1/4 Soc.Hd.Set Scr, Gr.8
30	8182787	0.562 Diameter x 0.515 LG. Roller
31	8182027	7 ga. x .406 ID x 1.28 OD Washer
32	8106302	3/8" Whiz Lock Screw, Gr.5

Steel
DuckHead®
Mount/Demount Tool