

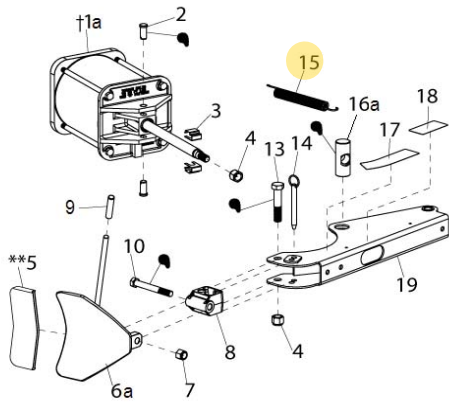
BL Arm Assembly

Item	Part No.	Description
†1a	8183312	B.L. Cylinder, 3/8" Fitting (Foot Ops)
†1b	81833124	B.L. Cylinder, 1/4" Fitting (Hand Ops)
†1c	81833125	B.L. Cylinder, 1/4" Fitting w/Heim Joint (70 Series, Hand Ops)
†1d	81833123	B.L. Cylinder, 1/4" Fitting (Hand Ops)
2	8181949	5/8 x 1-3/8 Clevis Pin
3	8181912	Clevis Clip
4	8182016	3/4"-10 Nylon Insert Lock Nut, Gr.5
**5	8183606	Shoe Bootie Kit, Pkg of 2
6a	8183529	B.L. Shoe, w/handle (Foot Ops)
6b	85608038	B.L. Shoe, Handle & Pivot W/C (Hand)
6c	85009199	B.L. Shoe, w/handle (Hand Ops)
7	8182043	5/8-11 Nylon Insert Lock Nut Gr.5
8	8181951	B.L. Shoe Pivot Bracket
9	70002301	1/2" Rubber Hand Grip (Foot Ops)
10	8182011	5/8-11 x 5" Hex Hd Cap Scr, Gr.5
*11	see p.22	B.L. Arm Valve
	see p.22	B.L. Arm Valve (old style)
12	902189	1/4-20 x.504 HHCS
13	8182009	3/4-10 x 3 3/4" HHCS
14	8120326	ø1/2" Hitch Pin

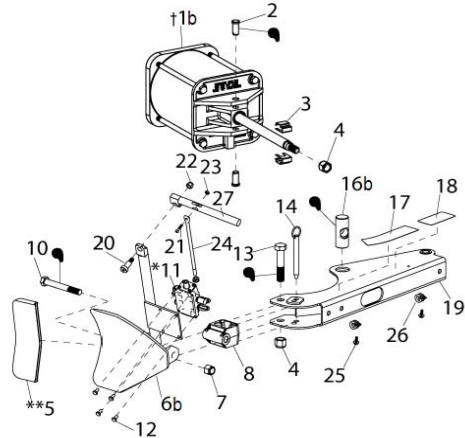
Item	Part No.	Description
15	8180230	B.L. Spring
16a	8182550	Pivot Pin, B.L. Cylinder Rod (Foot Ops)
16b	85607837	Pivot Pin, B.L. Cylinder Rod (Hand Ops)
17	8181970	Bead Loosener Caution Decal
18	85611207	Bead Loosener Caution Decal
19	8182002	B.L. Arm
20	81855583	Shoulder Screw (sold as 3 pack)
21	925757	10/24 x 1" HHCS Screw
22	8301035	3/8-16 Hex Nyloc Nut
23	8182682	10-24 Nylon Insert Lock Nut Gr.5
24	85608037	Lever Link
25	8106301	1/4" Hex Hd Self Tap Screw, Gr.5
26	8182044	Neoprene Cushion Clamp
27	85610228	B.L. Lever Assembly
28	85608569	Heim Joint
30	85608567	Spacer
31	85608566	Spacer
32	8182579	Screw

†Cylinder Assemblies
***Valve (available only as individual component, see page 22)**
****Accessory Item**

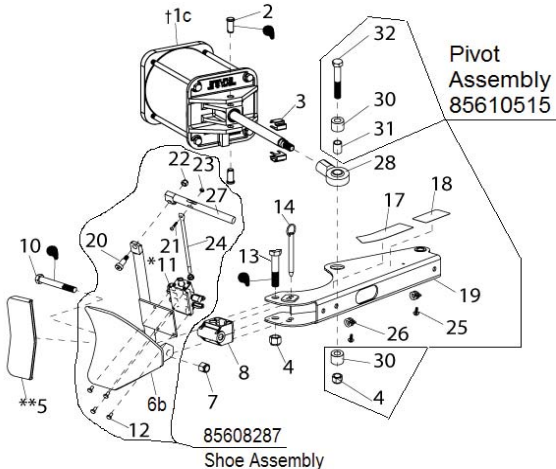
BL Arm Assembly (Foot Operated)



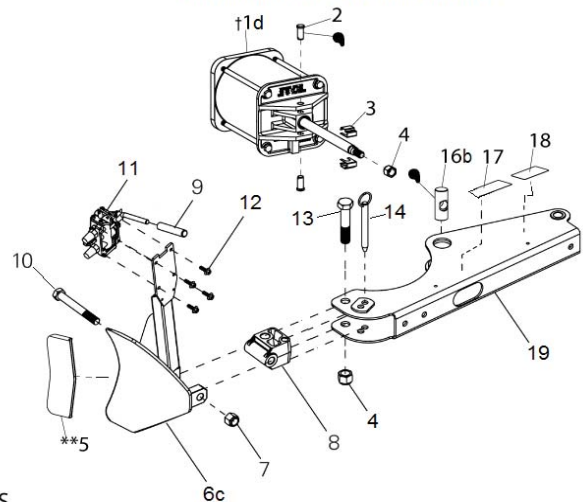
BL Arm Assembly (Hand Operated)



BL Arm Assembly (70-Series, Hand Operated)
Valve on Shoe



B.L. Arm Assembly - Hand Operated
Older model - Valve on Handle



● APPLY GREASE TO THESE LOCATIONS