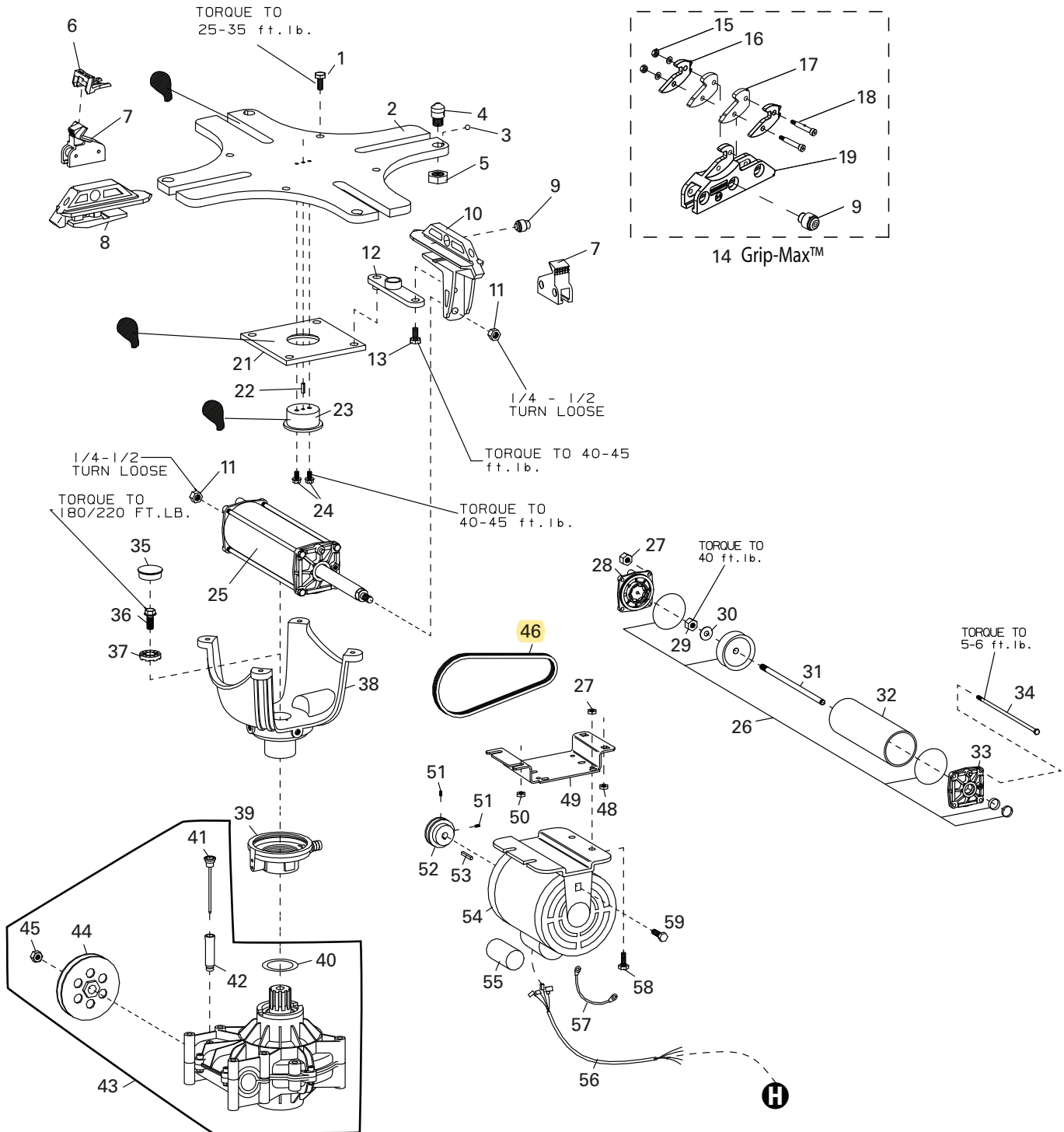


Table Top and Shaft Housing Assembly



(Table Top and Shaft Housing Assembly)

ITEM	PART NO.	DESCRIPTION	ITEM	PART NO.	DESCRIPTION
1	8181929	Skt. Hd. Cap Scr., 3/8-16 x 1", Gr.8	41	8182186	Dipstick-Transmission
2	8181704	Table Top Plate	42	8182185	Tube-Dipstick
3	8182025	1/4" Steel Ball	43	8185654	Kit-Transmission
4	8182024	Inflation Nozzle	44	8181658	Pulley-Transmission
5	8182083	3/4" Jam Nut	45	8182162	Nut - Hex, 12MM, Gr.8.8
6	8183604	Bootie Kit, Rim Clamp, Pkg of 10	46	8180047	V-Belt, Motor
7	8184126EX	Adjustable Rim Clamp	48	8143044	Tinnerman Sq. Captive Nut 3/8-16
8	8182249	Carrier/Cover - Clamp Adj.	49	8181931	Bracket, Motor Mounting
9	8182250	Adj. Clamp Plunger/Spring Assy.	50	8106303	3/8" Whiz Lock Nut, Gr.5
10	8182248	Carrier/Cover - Cylinder End	51	8180217	5/16-18 x 3/8" Soc.Hd.Set Screw, Gr.5
11	8101039	Nut - Lock, 1/2", Gr.5	52	8184674	Pulley-Motor
12	8181734	Pivot Link W/C	53	8180558	Key-Motor
13	8182279	Adj. Clamp Link Bolt	54	8184691	Motor, Electric 115V
14	85000758	Grip-Max™ Laminated Clamps Pkg of 4		8182621	Motor, Electric 220V, 50Hz, 1ø
	85600345	Grip-Max™ Laminated Clamps (External Clamp Only), Pkg of 4	55	8180638	Motor Capacitor Only, 400-480 µFD
15	8182682	Nut-Hex, Lk, Rvsble, #10-24	56	8181511	Motor Cable Assembly, 4-wire, 220V
16	85000595	3 Position Laminated Clamp Cover		8184562	Motor Cable Assy, 4-wire w/plug, 115V
	85600313	3 Position Laminated Clamp Cover (External Clamp Only)	57	8180560	Ground Jumper
17	85000594	Laminated Clamp Grip	58	8120325	5/16-18 x 1 Ser. Wash.Hd.Scr., Gr.5
18	85000610	Shoulder Screw, 1/4 x 1-1/4x#10-24	59	8120455	10-24 Self Tap Screw, Gr.2
19	85000596	3 Position Laminated Clamp			
21	8181731	Pivot Plate - Table Top			
22	8183476	Roll Pin - ø1/4" x 3/4"			
23	8181733	Pivot Block			
24	8183452	Flange Whiz-lock Scr., 5/16-18 x 5/8"			
25	8182613	Cylinder Assembly-Table Top			
26	8183772	Seal Kit, T.T. Cylinder			
27	8181183	5/16-18 Nylon Insert Lock Nut Gr.5			
28	8181622	Cylinder Bottom Cap			
29	8182719	1/2-13 Locking Jam Nut, Gr.5			
30	8183771	Washer, 1-38 OD x 1/2 ID x 0.062			
31	8181629	Shaft, Tabletop Cyl.			
32	8181627	Sleeve, Cylinder			
33	8181620	Cylinder Top Cap			
34	8181633	Tie Bolt, Tabletop Cylinder			
35	8182627	Cap Plug - 1-5/8" Dia.			
36	8181742	16MM x 40mm Hex Head Bolt Gr.10.9			
37	8182979	Washer - Molded, ø16mm			
38	8181990	Spider Assembly			
39	8182619	Rotary Coupling Assembly			
40	8183156	Washer - ø2" X ø2 3/4" x .010			