



ATD-80350A

Rechargeable LED Thin Work light

Owner's Manual



FEATURES:

- Ultra-thin design pivots to allow inspection in the tightest work areas and folds flat for easy storage
- COB LED bulb delivers a wider and brighter lighting area
- Slide switch provides variable brightness of 0-500 lumens
- SMD LED top light offers an additional 70 lumen flashlight function
- Light wand folds +180° and -180° for easy handling and storage
- Constant current design delivers rated light output throughout battery charge cycle
- Rotating hanging hook recesses into bottom magnetic base
- Tough, impact resistant ergonomic housing
- Automatic shut-off and overcharging protection for optimal battery life
- Versatile 3-in-1 charging system:
 - Charge from 120V AC with included wall power plug
 - Charge from 12V DC with included vehicle power plug
 - Charge from USB charging port with included USB cord

SPECIFICATIONS:

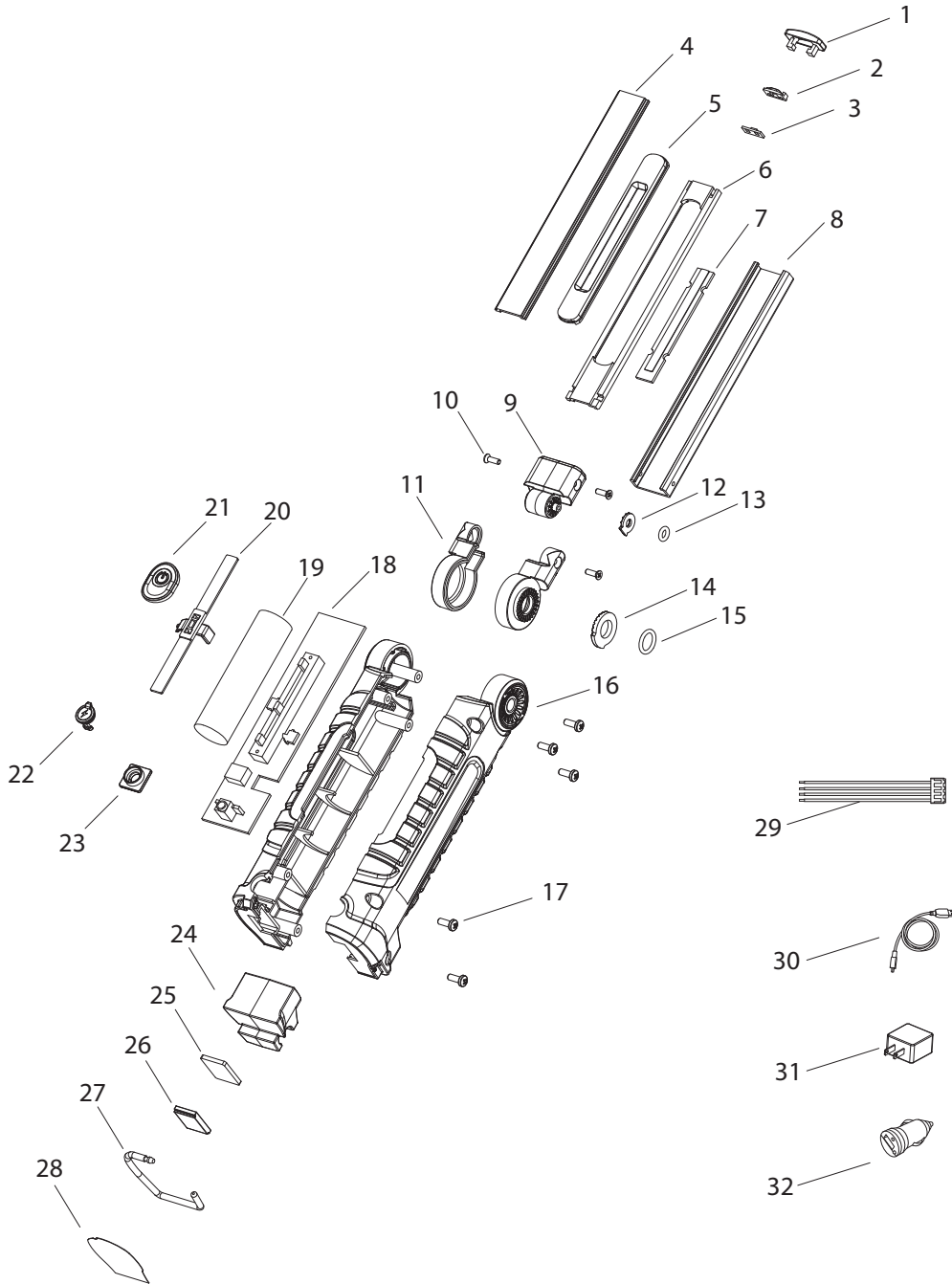
- Main Bulb Brightness: 0-500 lumens
- Top Light Brightness: 70 lumens
- Battery: 3.7V, 2600mAh lithium-ion rechargeable
- Run Time: Up to 2 hours on highest setting
- Length: 12.6" (6.5" folded)

Operating Instructions:

- Before use, plug the unit into any 110-120V AC power source, 12V DC power source or 5V DC USB port and let unit fully charge until the green indicator inside the Mini USB socket turns on.
- Slide the switch up to adjust the brightness from 0-500 lumen, slide the switch down to turn on the top light.
- Charge this light every month if not in constant use, and after each use if used often, to ensure longevity.

Cautions:

- **DO NOT** use in or around tubs, showers, sinks, pools, hot tubs or in a wet environment.
- **DO NOT** operate with wet hands
- Use only the recommended voltage and frequency requirements.
- Keep out of reach of children.
- Keep light away from hot objects.
- **DO NOT** leave light in direct sunlight for prolonged lengths of time.



ITEM#	ORDERING PART#	PART DESCRIPTION
1	PRT80350A-01	TOP COVER
2	PRT80350A-02	TOP LIGHT COVER
3	PRT80350A-03	TOP LIGHT PCBA
4	PRT80350A-04	PC COVER
5	PRT80350A-05	REFLECTOR A
6	PRT80350A-06	REFLECTOR B
7	PRT80350A-07	LED
8	PRT80350A-08	LIGHT BASE
9	PRT80350A-09	SWIVEL CONNECTOR
10	PRT80350A-10	SCREW 2.5 x 5
11	PRT80350A-11	FIXED BLOCK ASSEMBLY
12	PRT80350A-12	REFLECTOR TEETH
13	PRT80350A-13	O-RING 4
14	PRT80350A-14	HANDLE GEAR TEETH
15	PRT80350A-15	O-RING 9
16	PRT80350A-16	HANDLE ASSEMBLY

ITEM#	ORDERING PART#	PART DESCRIPTION
17	PRT80350A-17	SCREW 2.9 x 8
18	PRT80350A-18	PCBA
19	PRT80350A-19	LI-ION BATTERY
20	PRT80350A-20	SLIDING ACTUATOR
21	PRT80350A-21	SWITCH BUTTON
22	PRT80350A-22	MINI USB COVER
23	PRT80350A-23	CHARGING INDICATOR
24	PRT80350A-24	COUNTERWEIGHT
25	PRT80350A-25	METAL PLATE
26	PRT80350A-26	MAGNET
27	PRT80350A-27	HOOK
28	PRT80350A-28	MAGNET LABEL
29	PRT80350A-29	CONNECTING WIRE
30	PRT80304-27	USB CORD
31	PRT80304-22	AC ADAPTER
32	PRT80304-31	DC ADAPTER