



ATD-80255

250 Lumen COB LED Rechargeable Head Lamp

Owner's Manual



Features

- Super-bright COB LED bulb delivers a wider and brighter lighting area
- Two settings for varied brightness and run times
- Pivoting light head
- Adjustable and removable head band with hard hat clips
- Battery capacity indicator bar shows charging progress
- Automatic shut off and overcharge protection prolongs battery life
- Included USB cord is compatible with the 3-in-1 charging system
- IP54 rated for dust and water resistance

Specifications

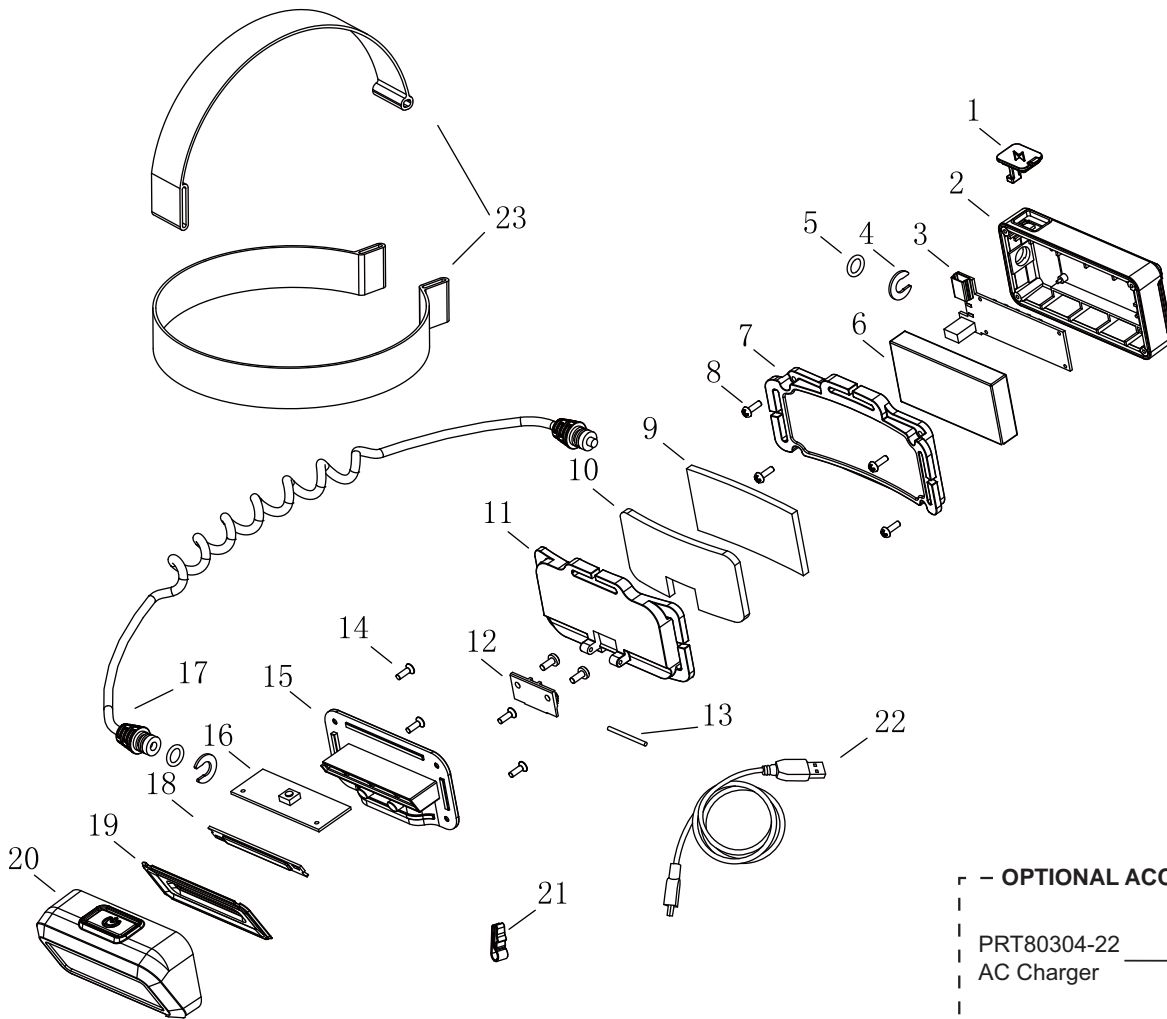
- Main Bulb: Single Strip COB LED
- Brightness Settings: 250 lumens high / 125 lumens low
- Run Time: Up to 5 hours continuous
- Battery: 3.7V, 1600mAh Li-Poly rechargeable

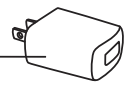
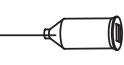
Operating Instructions

- Before use, connect USB cord to a USB port with 5V and 1A output (such as a car adapter, portable USB battery, computer or laptop computer) and charge until the 5 LEDs on the back of the battery pack are illuminated.
- Charge this light every month if not in constant use, and after each use, if it is used often, to ensure longevity.
- Press the switch once for front bulb low power, twice for front bulb high power and three times to turn off.

Cautions

- **DO NOT** use in or around tubs, showers, sinks, pools, hot tubs or in a wet environment.
- Use only the recommended voltage and frequency requirements.
- Keep out of reach of children.
- **DO NOT** operate light with wet hands.
- Keep light away from hot objects.
- **DO NOT** leave light in direct sunlight for prolonged lengths of time.



- OPTIONAL ACCESSORIES ---
- PRT80304-22 AC Charger 
 - PRT80304-31 DC Charger 
- AVAILABLE ---

ITEM#	ORDERING PART#	PART DESCRIPTION
1	PRT80255-01	USB COVER
2	PRT80255-02	BATTERY COMPARTMENT
3	PRT80255-03	CHARGING PCB
4	PRT80255-04	CLAMP SPRING
5	PRT80255-05	O-RING
6	PRT80255-06	LI-POLY BATTERY
7	PRT80255-07	BATTERY COMPARTMENT COVER
8	PRT80255-08	SCREW M2.5x5
9	PRT80255-09	FOAM 1
10	PRT80255-10	FOAM 2
11	PRT80255-11	BRACKET
12	PRT80255-12	CONNECTOR

ITEM#	ORDERING PART#	PART DESCRIPTION
13	PRT80255-13	LOCATING PIN
14	PRT80255-14	SCREW ST 2.5x8
15	PRT80255-15	ALUMINUM REAR HOUSING
16	PRT80255-16	LED PCB
17	PRT80255-17	SPRING WIRE
18	PRT80255-18	LED PCB
19	PRT80255-19	REFLECTOR
20	PRT80255-20	FRONT HOUSING
21	PRT80250-27	CLIP
22	PRT80304-27	USB CORD
23	PRT80255-23	HEADBAND