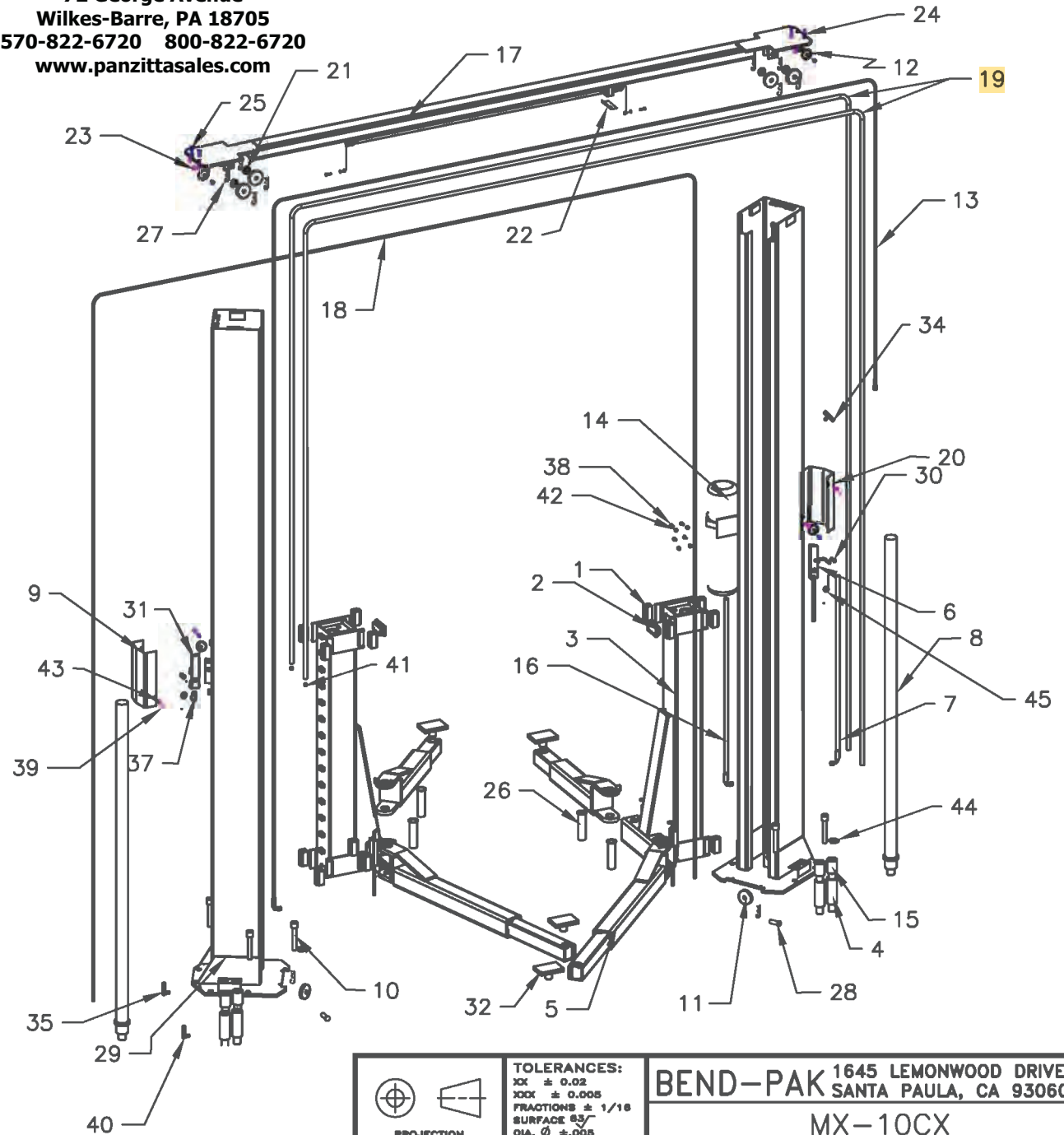



PANZITTA SALES & SERVICE
72 George Avenue
Wilkes-Barre, PA 18705
570-822-6720 800-822-6720
www.panzittasales.com

INDEX NO.	PART NO.	DESCRIPTION	Q'TY
-1	5715200	GUIDE BLOCK	16
-2	5715196	PLASTIC CAP	2
-3	5210723	CARRIAGE	2
-4	5746395	PAD EXT.LONG	4
-5	5210776	MEDIUM STRAIGHT ARM	4
-6	5210400	SAFETY ASSY 2	1
-7	5570832	1/4 HYRD.HOSE 90 1/2 LG	1
-8	5502300	2x69 CYL.	2
-9	5700312	HANDLE COVER	1
-10	5530450	3/4x5 ANCHOR BOLTS	12
-11	5575310	3" PULLY	6
-12	5575325	SAFETY ROLLER	4
-13	5570775	1/4 HYD.HOSE 323 3/4 LG	1
-14	5585078	POWER UNIT	1
-15	5746390	PAD EXT.SHORT	4
-16	5570770	PWR.UNIT HYD.HOSE 48 LG.	1
-17	5210778	OVERHEAD	1
-18	5595517	3/32 CABLE 303 LG.	1
-19	5595515	3/8 CABLE 363 LG	2
-20	5210779	POWER SIDE COVER	1
-21	5545171	3/4 SAE WASHER	4
-22	5766145	MICRO SWITCH PLATE	1
-23	5535170	3/8-16 HEX NUT	4
-24	5545130	3/8 LOCK WASHER	6
-25	5530136	3/8-16x1 1/2 HHB	4
-26	5505270	LIFT HEAD PIN	4
-27	5505350	HAIR PIN	10
-28	5505320	3/4x1 1/2 CLEVIS PIN	2
-29	5210716	POST ASSY	2
-30	5545235	3/8 PUSH ON WASHER	4
-31	5210725	SAFETY ASSY 1	1
-32	5210700	RUBBER PAD	4
-33			
-34	5550310	1/4"TEE" FITT.	1
-35	5550113	1/4 90° FITT.	2
-36			
-37	5505390	3/4x2 1/2 CLEVIS PIN	2
-38	5530260	5/16-18x3/4 HHB FOR PWR.UNIT	4
-39	5530350	5/16-18x1 1/2 HHB FOR HDLE.COVER	2
-40	5550103	1/4 90° O RING 3/8	1
-41	5535100	5/8-11 HEX NUT FOR CABLE	2
-42	5535122	5/16-18 NYLOCK NUT	6
-43	5535110	3/8-16 NYLOCK FOR HNDLE.COVER	2
-42	5535122	5/16-18 NYLOCK NUT	6
-43	5535110	3/8-16 NYLOCK FOR HNDLE.COVER	2
-44	5545535	C-SHIM	25
-45	5540130	SPRING	2



 PROJECTION APPROVED	TOLERANCES: XX ± 0.02 XXX ± 0.005 FRACTIONS ± 1/16 SURFACE $\sqrt{\text{R}}$ DIA. ϕ ± .005 ANGLES ± 1/2° QTY REQ'D	BEND-PAK 1645 LEMONWOOD DRIVE SANTA PAULA, CA 93060	
		MX-10CX	
		MAT'L:	
		DATE: 10/6/03	REV.
GAGE CODE ØA223	NEXT ASSY	SCALE:	MX-10CX

NOTES: UNLESS OTHERWISE SPECIFIED