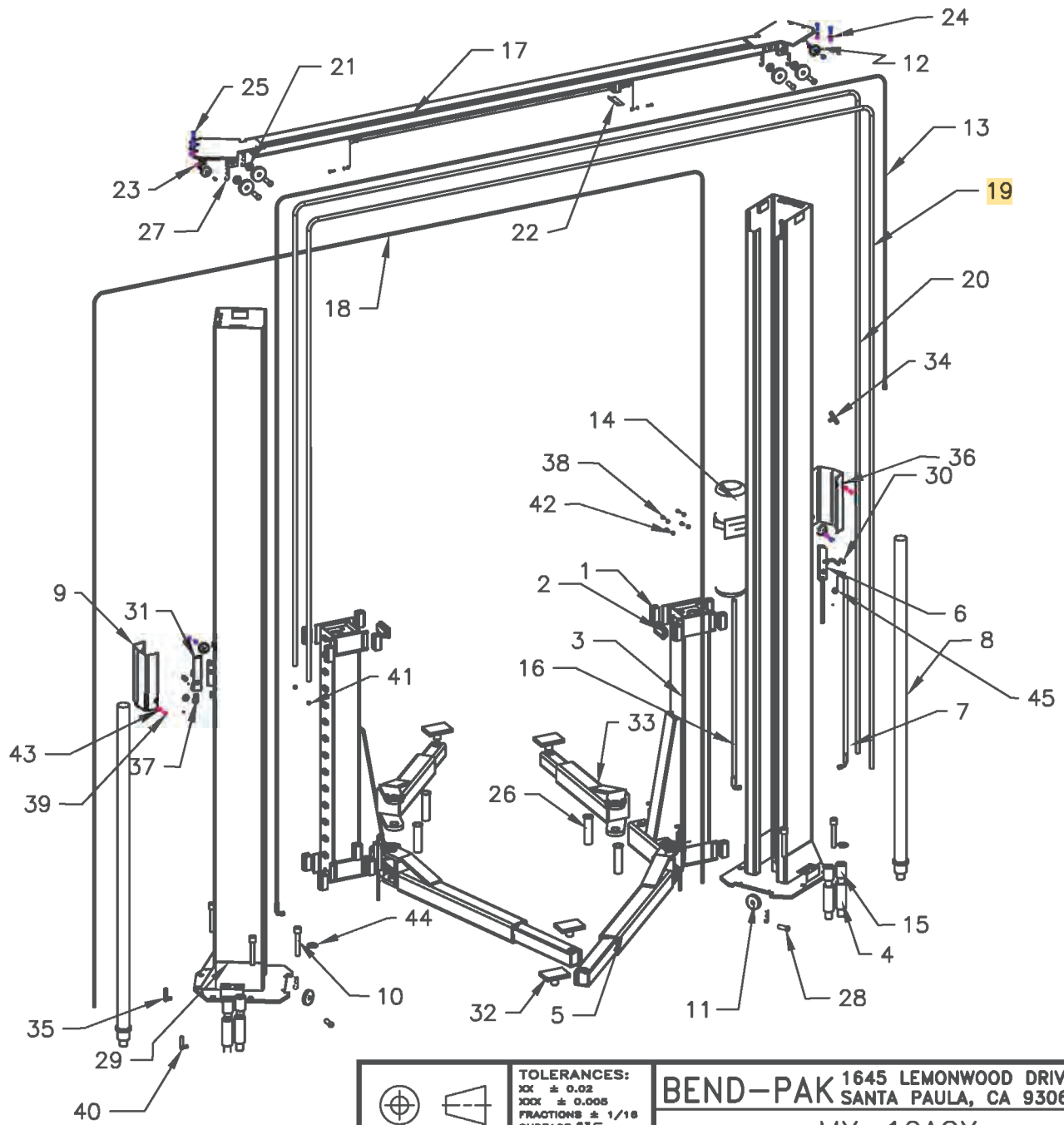


| INDEX NO. | PART NO. | DESCRIPTION | Q'TY |
|-----------|----------|----------------------------|------|
| -1 | 5715200 | GUIDE BLOCK | 16 |
| -2 | 5715196 | PLASTIC CAP | 2 |
| -3 | 5210723 | CARRIAGE | 2 |
| -4 | 5746395 | PAD EXT.LONG | 4 |
| -5 | 5210731 | ARM | 2 |
| -6 | 5210400 | SAFETY ASSY 2 | 2 |
| -7 | 5570832 | 1/4 HYRD. HOSE 90 1/2 LG | 1 |
| -8 | 5502300 | 2x69 CYL. | 2 |
| -9 | 5700312 | HANDLE COVER | 2 |
| -10 | 5530450 | 3/4X5 ANCHOR BOLTS | 12 |
| -11 | 5575310 | 3" PULLY | 6 |
| -12 | 5575325 | SAFETY ROLLER | 4 |
| -13 | 5570775 | 1/4 HYD.HOSE 323 3/4 LG | 1 |
| -14 | 5585078 | POWER UNIT | 1 |
| -15 | 5746390 | PAD EXT.SHORT | 4 |
| -16 | 5570770 | PWR.UNIT HYD.HOSE 48 LG. | 1 |
| -17 | 5210726 | OVERHEAD | 1 |
| -18 | 5595517 | 3/32 CABLE 303 LG. | 1 |
| -19 | 5595510 | 3/8 CABLE 360 LG. | 1 |
| -20 | 5595515 | 3/8 CABLE 363 LG. | 1 |
| -21 | 5545171 | 3/4 SAE WASHER | 4 |
| -22 | 5766145 | MICRO SWITCH PLATE | 1 |
| -23 | 5535170 | 3/8-16 NUT | 6 |
| -24 | 5545130 | 3/8 LOCK WASHER | 6 |
| -25 | 5530136 | 3/8-16x1 1/2 HHB | 4 |
| -26 | 5505270 | LIFT HEAD PIN | 4 |
| -27 | 5505350 | HAIR PIN | 6 |
| -28 | 5505320 | 3/4x1 1/2 CLEVIS PIN | 6 |
| -29 | 5210716 | POST ASSY | 2 |
| -30 | 5545235 | 3/8 PUSH ON WASHER | 4 |
| -31 | 5210725 | SAFETY ASSY 1 | 1 |
| -32 | 5210700 | RUBBER PAD | 4 |
| -33 | 5210877 | ARM | 2 |
| -34 | 5550310 | 1/4"TEE" FITT. | 1 |
| -35 | 5550113 | 1/4 90° FITT. | 2 |
| -36 | 5210779 | POWER SIDE COVER | 1 |
| -37 | 5505390 | 3/4x2 1/2 CLEVIS PIN | 2 |
| -38 | 5530260 | 5/16-18x3/4 HHB PWR.UNIT | 4 |
| -39 | 5530245 | 3/8-16x1 HHB HDLE.COVER | 2 |
| -40 | 5550103 | 1/4 90° O RING 3/8 | 1 |
| -41 | 5535100 | 5/8-11 HEX NUT FOR CABLE | 2 |
| -42 | 5535122 | 5/16-18 NYLOCK NUT | 6 |
| -43 | 5535110 | 3/8-16 NYLOCK HANDLE COVER | 2 |
| -44 | 5545535 | C-SHIMS | 25 |
| -45 | 5540130 | SPRING | 2 |



| | | | |
|----------------------------|--|--|------|
| PROJECTION APPROVED | TOLERANCES: XX ± 0.02 XXX ± 0.005 FRACTIONS ± 1/16 SURFACE 63 DIA. Ø ± .005 ANGLES ± 1/2° QTY REQ'D | BEND-PAK 1645 LEMONWOOD DRIVE SANTA PAULA, CA 93060 | |
| | | MX-10ACX | |
| GAGE CODE ØA223 | NEXT ASSY | MAT'L: | |
| | | DATE: 10/8/03 | REV. |
| SCALE: | | MX-10ACX | |

NOTES: UNLESS OTHERWISE SPECIFIED