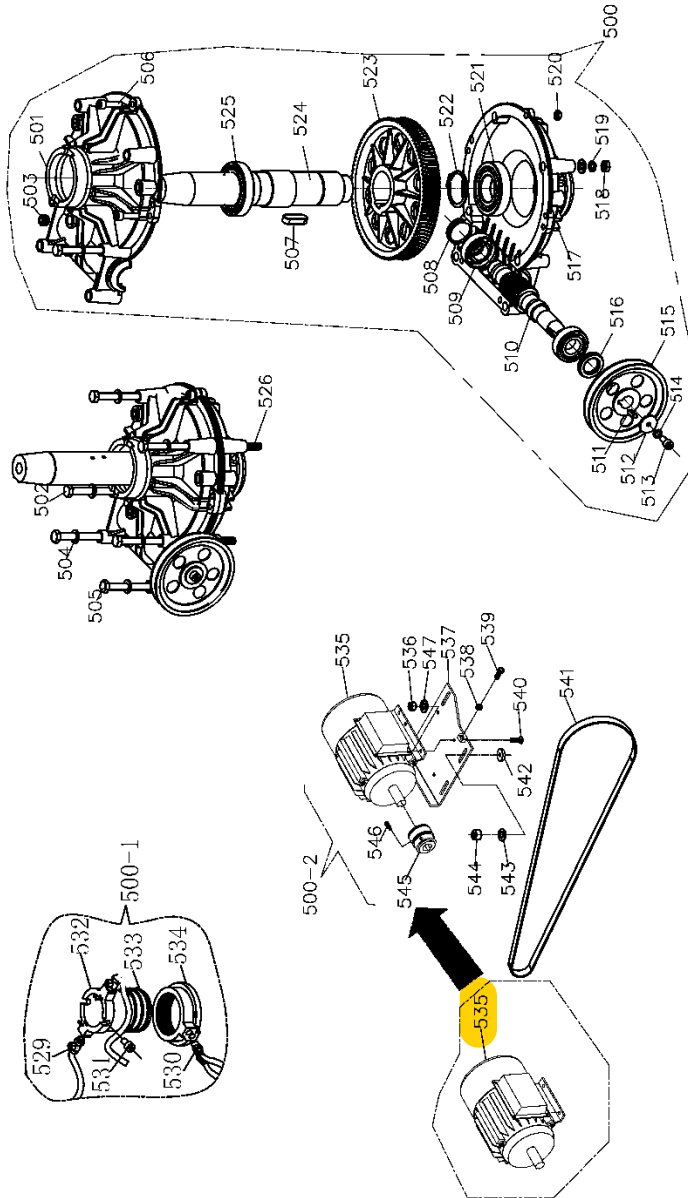


## Gearing



#	Part Number	Description
500		Transmission assembly
500-1		Rotary joint block
500-2		Variable frequency motor/hanger assembly
501		Gearbox front flange
502		HHB, M10 x 200
503		Oil plug
504		Washer, $\Phi$ 10
505		HHB, M10 x 180
506		SHCS, M8 x 30
507		Transmission key, 14 x 9 x 40
508		Oil block

509		Cone roller bearing
510		Gear stud
511		Tab, 6 x 6 x 20
512		Gear stud pad
513		SHCSs M8 x 16
514		Washer, $\phi$ 8 splick lock
515		Big size belt pulley
516		Oil seal, $\Phi$ 45 x 25 x 10
517		Transmission back flange
518		Nut, M10
519		Washer, $\phi$ 10 splick lock
520		Nut, M8
521		Bering
522		Seeger ring, $\phi$ 50
523		Helical gear
524		Spline shaft
525		Bearing 6010
526		HHB, M10 x 170
529		Fitting, $\phi$ 8 - $\phi$ 8 - G1/8"
530		Fitting, G1/8" $\phi$ 8 straight
531		Inner hexangular set screw, M6 x 20
532		Rotary joint block inner piece
533		O-ring, $\phi$ 60 x 2.75
534		Rotary joint block outer piece
535	5328429	Electric motor
535	5328429	Electric motor
536		Locknut
537		Motor base unit weldment
538		Nut, M8
539		HHB, M8 x 40
540		Hexagon socket head screw, M8 x 30
541		V belt 1168
543		Washer, $\Phi$ 10 flat
544		Locking nut, M10
545		Motor pulley
546		Inner hexangular set screw, M8 x 16
547		Washer, $\Phi$ 8 flat