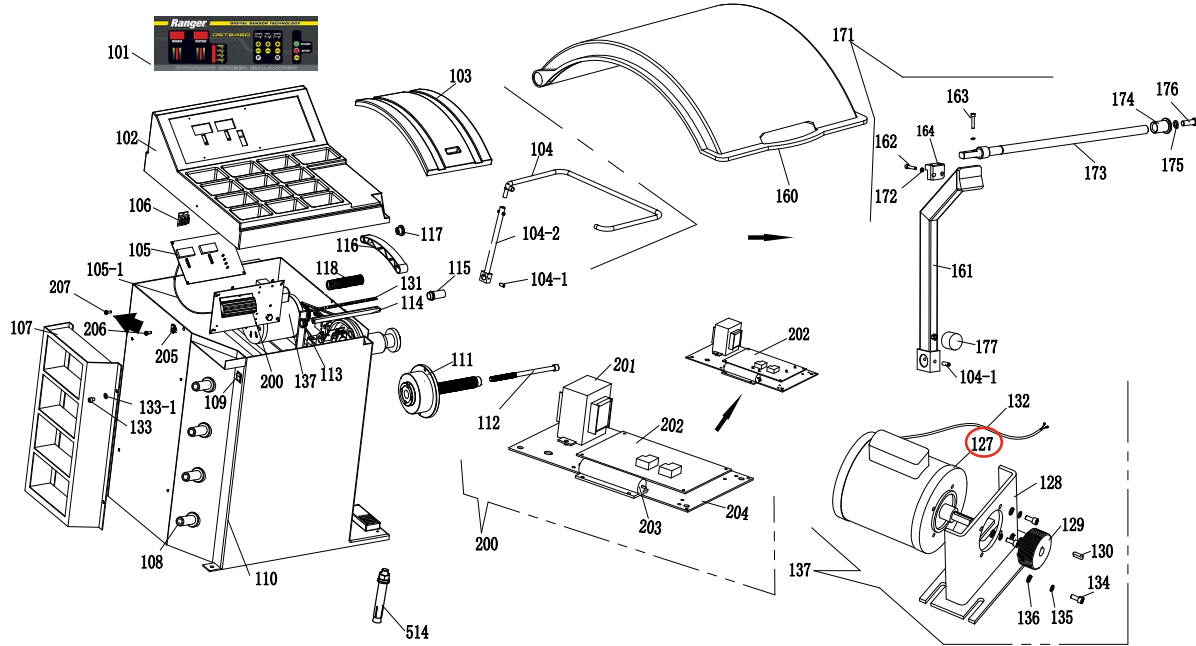


# Parts



## Main Cabinet

BendPak #	ID Number	Description
5327094	101	Membrane Switch
5327105	102	Weight Tray
5324167	103	Hood
5324166	104	Upper Hood Mount Support
5327505	104-1	Hood Assembly Set Screw, M8 by 12
5327595	104-2	Lower Hood Mounting Support
5327086	105	Computer Board
5327337	105-1	Wires; Power to Computer Board
5327087	106	Convert Switch
5327993	107	Side Storage Rack, DST2420
5327132	108	Collet Hanger
5525251	109	On/Off Switch
	110	Chassis Body
5328538	111	Thread Shaft/Spindle (40 mm)
5530469	112	SHCS, M14 by 280 mm
5327135	113	Distance Arm Small Sleeve

<b>BendPak #</b>	<b>ID Number</b>	<b>Description</b>
5327136	114	Distance Arm Rod
5327137	115	Distance Arm Large Sleeve
5327088	116	Distance Arm Handle
5327089	117	Distance Arm Pointer
5327138	118	Distance Arm Spring
5327092	127	Motor (115 or 230V 0.37KW)
	128	Motor Bracket
5327144	129	Motor Pully
5327145	130	Motor Pully Key
5327591	131	Distance Arm Sticker
5327872	132	115 V Power Cord
	133	Washer, $\Phi$ 8 flat
	133-1	HHB, M8 by 16
	134	SHCS, M6 by 16
	135	Washer, $\emptyset$ 6 Spring
	136	Washer, $\emptyset$ 6 Flat
	137	Motor Assembly
5328245	160	Injection Molded Hood
5328246	161	Injection Molded Hood Bracket
	162	SHCS, M6 by 25
	163	SHCS, M6 by 25
	164	Adjusting Plate
5328246	171	Tire guard department
	172	Spring Pad, 6 mm
	173	Long Axis
	174	Front Axle Sleeve
	175	Spring Pad, 12 mm
	176	SHCS, M12 by 30
5328270	177	Stents buffer device
	200	Power Board Assembly, DST2420
5327146	201	Transformer
5327093	202	Power Board (230 VAC)
5327147	203	Resistor