



MODEL 3400A -10 TON AIR LIFT JACK

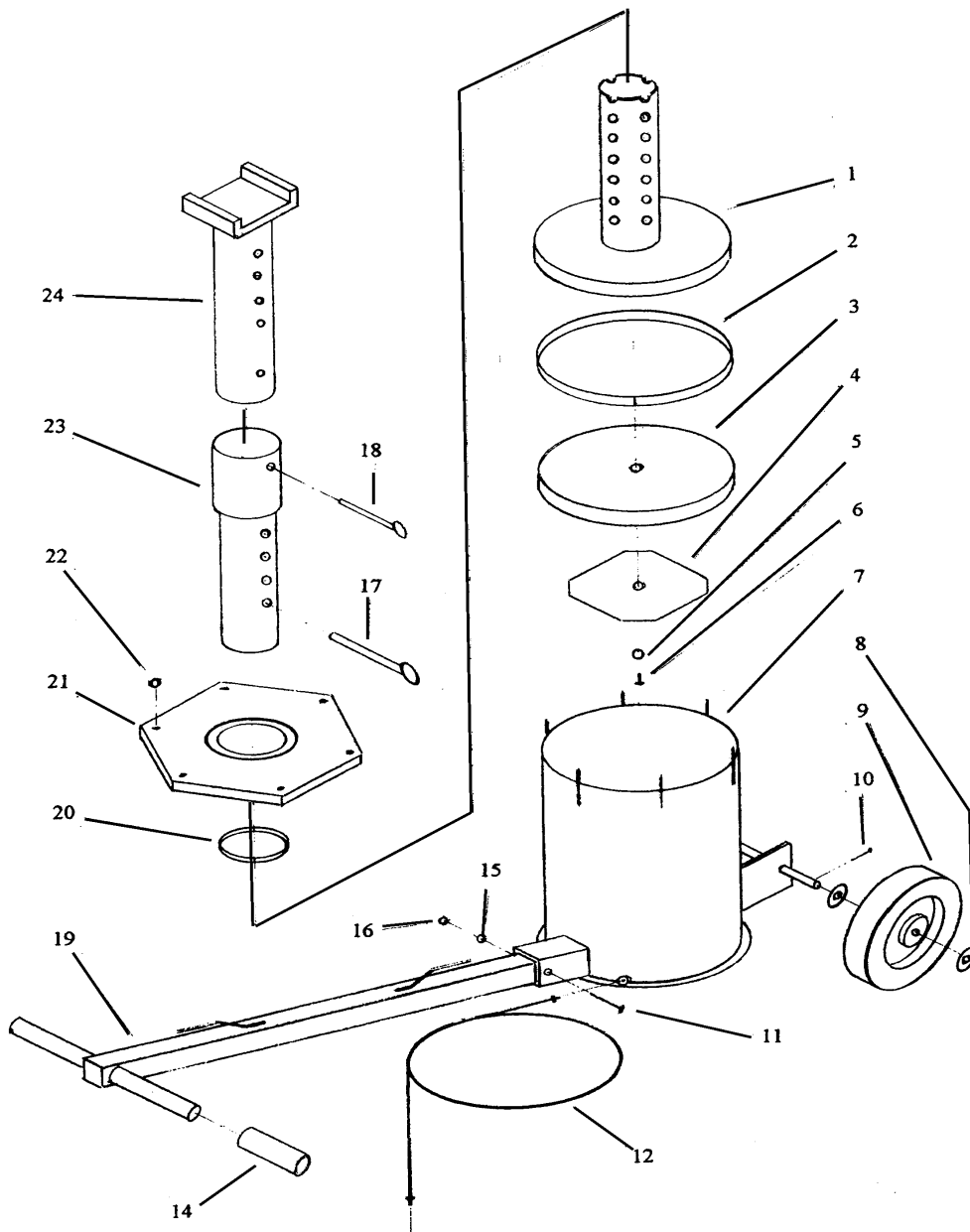
UPDATE 9-05

PART ORDER NUMBER	KIT DESCRIPTION	KIT INCLUDES	
		REF. #	DESCRIPTION
3400AKRK	REPAIR KIT	2	GUIDE RING
		3	SEAL RING
		5	O-RING
		20	GUIDE RING
3400AK1	LIFT PISTON ASSEMBLY	1	LIFT POST WITH PISTON
		2	GUIDE RING
		3	SEAL RING
		4	WASHER
		5	O-RING
		6	BOLT M12X25
3400AK9	WHEEL	8	WASHER M20 (4)
		9	WHEEL
		10	PIN 5 X 30 (4)
3400AK12	AIR HOSE	12	AIR HOSE SET
3400AK19	HANDLE ASSEMBLY	11	BOLT M8 X 60
		14	HANDLE GRIP
		15	WASHER M8
		16	NUT M8
		19	HANDLE
3400AK23	POST SET	17	LOCKING PIN
		18	SAFETY PIN
		23	MIDDLE POST
		24	UPPER POST
3400AK17	PIN SET	17	LOCKING PIN
		18	SAFETY PIN
3400AK13	AIR VALVE COMPLETE	13	AIR VALE BASE
		25	CAP
		26	SPRING
		27	BOLT M3 X 6
		28	RING
		29	SEAL WASHER
		30	VALVE CORE
		31	RING 2.8 X 1.8
		32	PAD
		33	PIN
		34	RETAINING RING
35	CAP		
36	VALVE STEM		
37	COUPLER		
NOT AVAILABLE		7	AIR CYLINDER
NOT AVAILABLE		21	CAP
NOT AVAILABLE		22	NUT M16 (6)

*** ONLY PARTS WITH A "PART ORDER NUMBER" ARE AVAILABLE FOR SALE.**

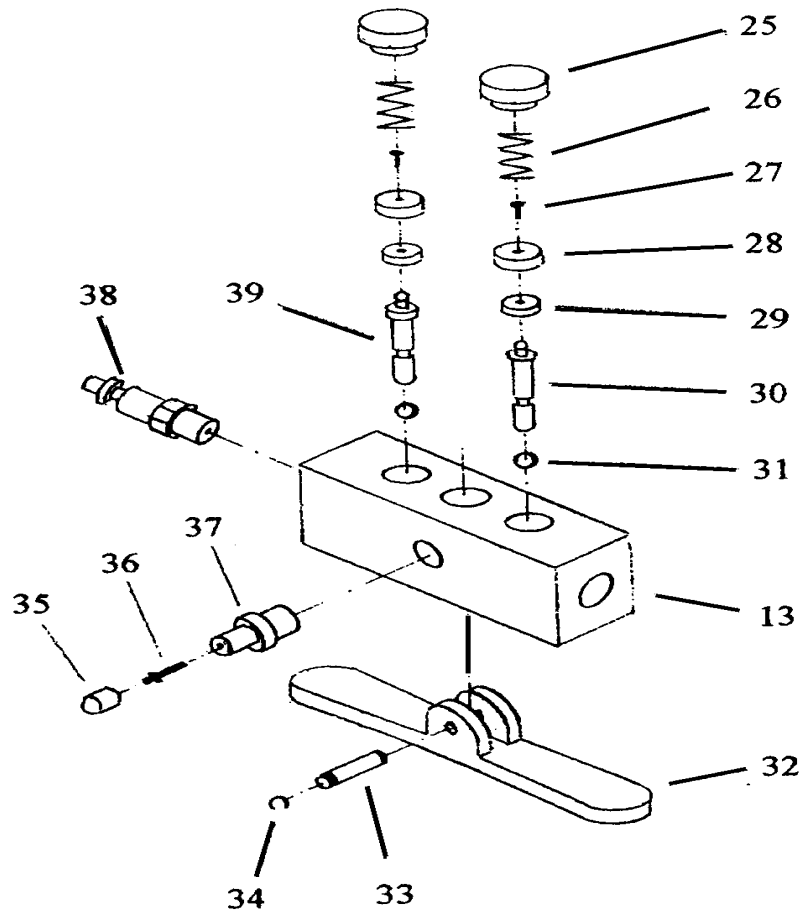
DO NOT COPY OR DISTRIBUTE THIS MATERIAL WITHOUT PERMISSION OF AFF, INC.

MODEL 3400A -10 TON AIR LIFT JACK



DO NOT COPY OR DISTRIBUTE THIS MATERIAL WITHOUT PERMISSION OF AFF, INC.

MODEL 3400A -10 TON AIR LIFT JACK AIR VALVE ASSEMBLY



DO NOT COPY OR DISTRIBUTE THIS MATERIAL WITHOUT PERMISSION OF AFF, INC.