

No. 30038 Replacement Printer

WARNING



• Unplug the machine before beginning service work. Incorrect use or connections can cause electrical shock.



• Wear safety goggles when working with refrigerants. Refrigerants can cause eye injury.



• Disconnect hoses using extreme caution! Pressurized refrigerant may be present in hoses. Point hoses away from you and anyone nearby.

Install the Printer

To install a printer:

1. Turn **OFF** the machine and disconnect it from its power source.
2. Remove the oil drain bottle.
3. Remove the shroud retaining screws as shown in Figure 1. *Note: Some models do not include side screw* or access cover.*
4. Hang the shroud on the back of the machine as shown in Figure 2.
5. Remove the two screws on the sides of the control panel, allowing the control panel to swivel forward as shown in Figure 2.
6. The printer connection harness may be fastened to the back of the cap that is in the printer location cut-out. If so, remove the zip tie, freeing the harness, which will be used in a later step.
7. Remove the cap from the printer location cut-out by pressing on the cap's tabs from the back of the control panel and pushing the cap out of the panel.

Figure 1

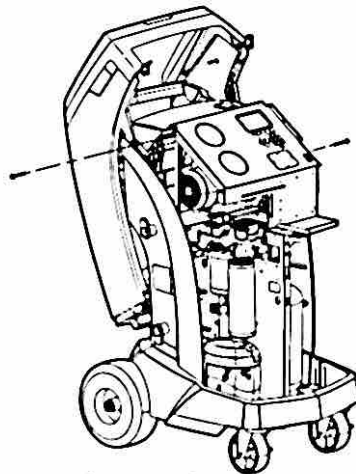
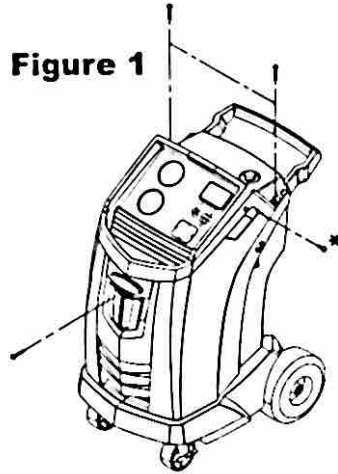


Figure 2

8. Remove the two locking arms from the printer by inserting the face of a flathead screwdriver under each tab near the back of its locking arm. Carefully pry tab outward while sliding entire arm away from the printer.
9. Place the printer into the cut-out area on the control panel. Press the face of the printer flush to the panel, oriented with the paper coming out at the top of the printer as shown in Figure 3.
10. Replace the printer locking arms from within the inside of the control panel. Push them forward until they come into firm contact with the inside face of the control panel.
11. Locate the free end of printer connection harness which was detached from the cap in Step 5, if applicable.
12. If the printer wiring harness noted in Step 6 is not pre-installed on the machine, use the harness included with the printer to connect to the control board as shown in Figure 4. The wires are marked with their respective connector labels.

Figure 3

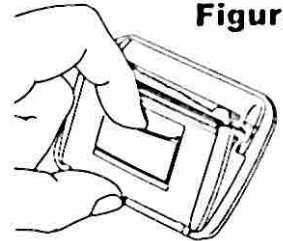
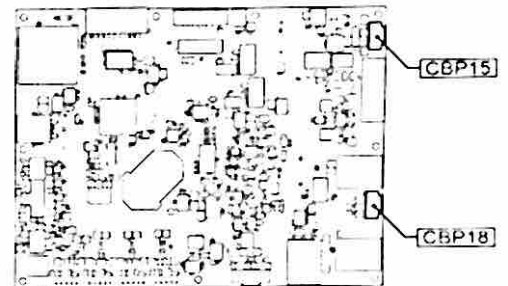


Figure 4



13. Attach the two free connectors to the appropriate connectors on the back of the printer.
 14. Swivel the control panel back into place and fasten it using the two screws removed in Step 5.
 15. Assemble the shroud back onto the machine and install the screws removed in Step 3.
 16. Reinstall the oil drain bottle.
- The printer is now ready for use.



For more information, call TOLL-FREE
1-800-822-5561 in the continental U.S. and Canada
In all other locations, contact your local distributor.

Because of ongoing product improvements, we reserve the right to change design, specifications, and materials without notice.

ROBINAIR.

655 Eisenhower Drive
Owatonna MN 55060
Customer Service : 1-800-533-6127
Fax : 1-800-322-2890
Technical Service : 1-800-822-5561
Fax : 1-866-259-1241
Website : www.robinair.com