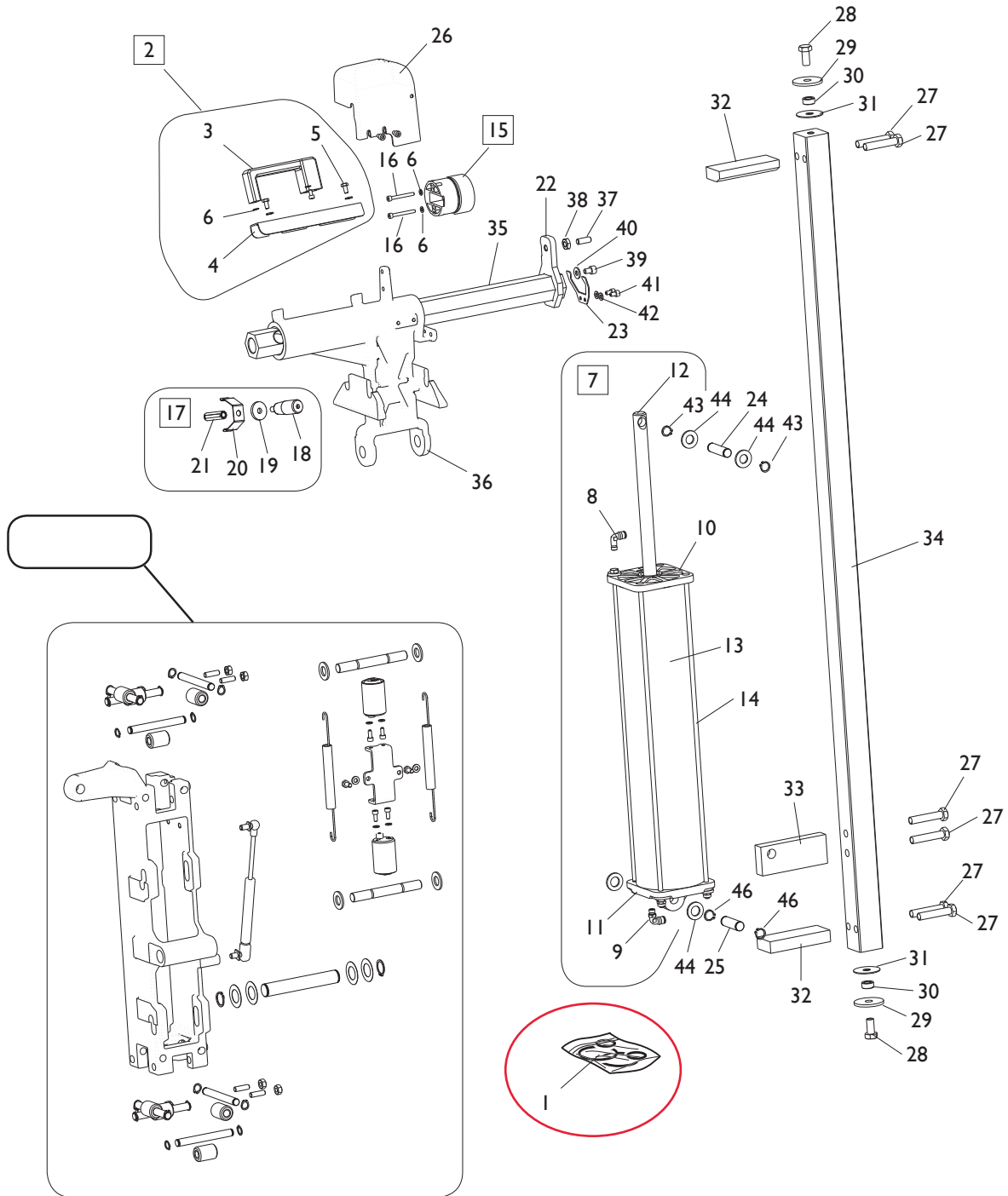


GRUPPO STALLONATORE BEAD BREAKER GROUP



Rif. Ref.	Codice Code	Descrizione	Description
1	245067	KIT GUARNIZIONI CILINDRO D.110	CYLINDER D.110 SEALS KIT
2	5-101223	MANIGLIA RIBALT. STALLONATORE	BEAD BREAKER HANDLE
3	5-101632	MANIGLIA CON VALVOLA	HANDLE WITH VALVE
4	4-104906	LAMIERA MANIGLIA	HANDLE PLATE
5	2-00297	VTCEI M5X16	HEXAGON SOCKET HEAD SCREW M5X16
6	2-00210	RONDELLA D.5	WASHER D.5
7	5-101221	CILINDRO CPL. D.110	CYLINDER ASSEMBLY D.110
8	3-00059	RACCPN-LO-GI/8C-T8	LO-FITTING-GI/8C-T8
9	3-00055	RACCPN-LO-GI/4M-T8	LO-FITTING-GI/4M-T8
10	5-107559	FLANGIA ANT. D.110	FRONT FLANGE D.110
11	4-130671	FLANGIA POST.D.110	REAR FLANGE D.110
12	4-130683	STELO D.22X578,5	STEM D.22X578,5
13	4-130685	CAMICIA D.110X516	LINER D.110X516
14	4-130684	TIRANTE M8X552,5	TIE ROD M8X552,5
15	261436	CILINDRO BLOCC. POSTERIORE	REAR CYLINDER ASSEMBLY
16	2-02132	VTCEI 1/2F M5X45	HEXAGON SOCKET HEAD SCREW M5X45
17	5-102562	MANIGLIA CON FERMO	HANDLE ASSEMBLY
18	4-104541	MANOPOLA M8 H50	HANDLE M8 H50
19	307671	RONDELLA D.8,25X28X4	WASHER D.8,25X28X4
20	4-105295	LAMIERINO	PLATE
21	4-105294	PERNO DI BLOCCAGGIO	PIN
22	4-103783	PIASTRA BLOCC.VERTICALE	VERTICAL LOCKING PLATE
23	4-103782	MOLLA A BALESTRA 53,41X65X1,5	SPRING 53,41X65X1,5
24	4-103775	PERNO D.15X56	PIN D.15X56
25	4-103778	PERNO D.16X52	PIN D.16X52
26	4-103565	CARTER STRANGOLO	COVER
27	2-02902	VTE 1/2F M12X60	HEXAGON HEAD SCREW 1/2F M12X60
28	2-01225	VTE M12X25	HEXAGON HEAD SCREW M12X25
29	318216	RONDELLA D.12,5X50X4	WASHER D.12,5X50X4
30	4-103771	DISTANZIALE D20X9	SPACER D.20X9
31	360474	RONDELLA D.12,5X45X1,5	WASHER D.12,5X45X1,5
32	4-104893	PIATTO AGGANCIAMENTO INFERIORE	LOWER PLATE
33	4-103779	PIASTRA ATTACCO CILINDRO 126X50	CYLINDER PLATE 126X50
34	4-104892	GUIDA STALLONATORE	BAR
35	4-116933	BARRA ESAGONALE	HEXAGON BAR
36	5-101067	BRACCIO STALLONATORE	BEAD ARM
37	2-01291	VSTEI M10X25	SCREW M10X25
38	2-00157	DADO ES. M10	HEXAGON NUT M10
39	2-71333	VTCEI M8X12	HEXAGON SOCKET HEAD SCREW M8X12
40	344207	RONDELLA D.8,4X19X2	WASHER D.8,4X19X2
41	2-01989	VTCEI M6X10	HEXAGON SOCKET HEAD SCREW M6X10
42	2-00211	RONDELLA D.6	WASHER D.6
43	2-01122	SEEGER D.15	ANELLO D.15
44	2-01045	RONDELLA D.16	WASHER D.16
45	2-01130	SEEGER D.16	SEEGER D.16