

# GENERAL REPAIR

# Complete Your Shop With Coats® Equipment

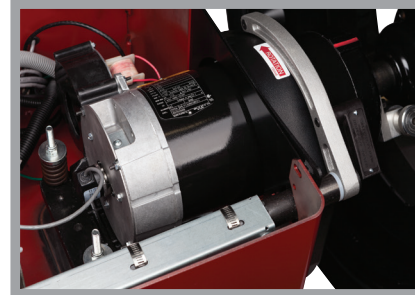


## 1300 DIRECT DRIVE WHEEL BALANCER

Legendary reliability  
with state of the art  
capability.



### Powered by Direct Drive



Motor and spindle are combined into a single, pre-balanced assembly that always stays calibrated to zero.

### Static-on-Screen®



Simultaneously displays both static and dynamic unbalance data.

### 2-D Automatic Data Entry



Offers automatic data entry of the distance and diameter. This eliminates the chance of technician error and speeds up the balancing process.

1300 DIRECT DRIVE WHEEL BALANCER

To learn more about the Coats 1300 Wheel Balancer, or any of our other quality products, contact your authorized Coats distributor or call **1-855-876-3864** for the dealer nearest you.

# COATS®

## CONTACT US NOW

[www.coatsgarage.com](http://www.coatsgarage.com)  
or call 1-855-876-3864



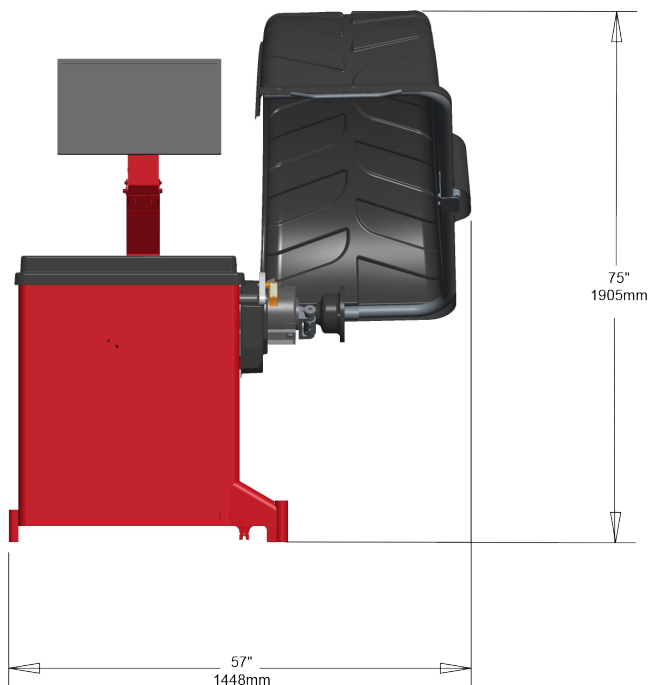
# 1300 DIRECT DRIVE WHEEL BALANCER

LEGENDARY RELIABILITY WITH STATE OF THE ART CAPABILITY.

## SPECIFICATIONS

Balancing Modes	8
Wheel Diameter Range	8" - 30"
Wheel Width Range	2" - 20"
Maximum Tire Diameter	Up to 44"
Maximum Tire Weight	150 lbs.
Shaft Diameter	40 mm
Resolution (Round Off Mode)	0.01 oz
Footprint	60"w x 60"d x 78"h
Ship Weight	639 lbs.
Interface	LED
Automatic Data Entry	Distance/Diameter
Electrical Requirements	220v, 1ph or 220v, 3ph
Warranty	3 Year Parts, 6 Months Labor
Part Number	80013002D - 1ph 80013002D01 - 3ph

## EQUIPMENT FOOTPRINT



## ACCESSORIES

\* Included With Purchase

Part Number	Description
*8112098	Small A Cone
*8112099	Medium B Cone
*8112100	Large C Cone
*8112101	Light Truck Back Cone - D Cone
*85607780	Premium Wheel Weight Hammer
*8110542	Small Pressure Cup & Rubber Lip
*8112107	Spring
*8309011	Calipers
*8112103	Hub Nut
*85608312	No Mar Ring
8113795	Tweener Cone Set

## RECOMMENDED OPTIONAL ACCESSORIES



Double Sided Collets  
(PN 85609499)



Adjustable Pin Plates  
(PN 85610104)



Light Truck Cone Kit  
(PN 8113277C)



Light Truck Back Cone Spacer  
(PN 8111935)



Premium Quick Nut  
(PN 85607503)



Short Cone  
(PN 8112421)

**COATS**