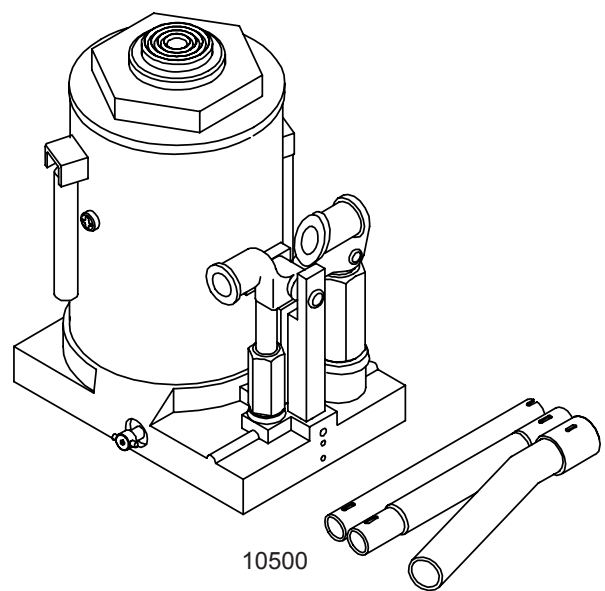
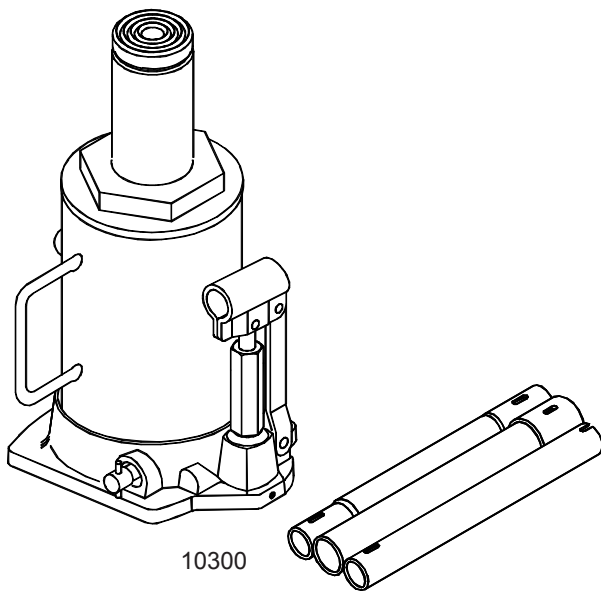


OMEGALIFT™ EQUIPMENT

Heavy Duty Bottle Jacks

Models: 10300 & 10500



This is the safety alert symbol. It is used to alert you to potential personal injury hazards. Obey all safety messages that follow this symbol to avoid possible injury or death.

!WARNING



To avoid crushing and related injuries: NEVER work on, under or around a load supported only by a hydraulic jack. ALWAYS use a matched pair of adequately rated jack stands.

SFA Companies
<http://www.omegalift.com>

Read this manual and follow all the Safety Rules and Operating Instructions before using this product.

10300-MO_102017

SAFETY AND GENERAL INFORMATION

Save these instructions. For your safety, read, understand, and follow the information provided with and on this device before using. The owner and/or operator shall have an understanding of the device, its operating characteristics and safety operating instructions before operating the equipment. The owner and/or operator shall be aware that use and repair of this product may require special skills and knowledge. Instructions and safety information shall be read to and discussed with the operator in the operator's native language, making sure that the operator comprehends their contents, before use of this equipment is authorized. If any doubt exists as to the safe and proper use of this device, remove from service immediately.

Inspect before each use. Do not use if abnormal conditions such as cracked welds, damaged, loose or missing parts are noted. Any equipment that appears damaged in any way, is found to be worn, or operates abnormally shall be removed from service until repaired. If the equipment has been or is suspected to have been subjected to an abnormal load or shock, immediately discontinue use until inspected by a factory authorized repair facility (contact distributor or manufacturer for list of authorized repair facilities). It is recommended that an annual inspection be made by an authorized repair facility. Labels and Operator's Manuals are available from the manufacturer.

PRODUCT DESCRIPTION

Omega Lift Heavy Duty Bottle Jacks are designed for lifting, but not sustaining, up to rated capacity loads. They are to be used vertically. After lifting, loads must be immediately supported by appropriate means such as jack stands. These models are suitable for use in an appropriately rated and designed vertical or bench press structure. These jacks are not recommended for use in lifting or positioning construction trailers, houses and/or other building structures. These jacks comply with applicable ASME / ANSI Standards.

SPECIFICATIONS

Model	Capacity	Base Size (L x W)	Min. Height	Max. Height
10300	30 Ton	8 1/8" X 6 7/8"	11"	18"
10500	50 Ton	10 7/8" X 7 5/8"	9-1/2"	13-7/8"

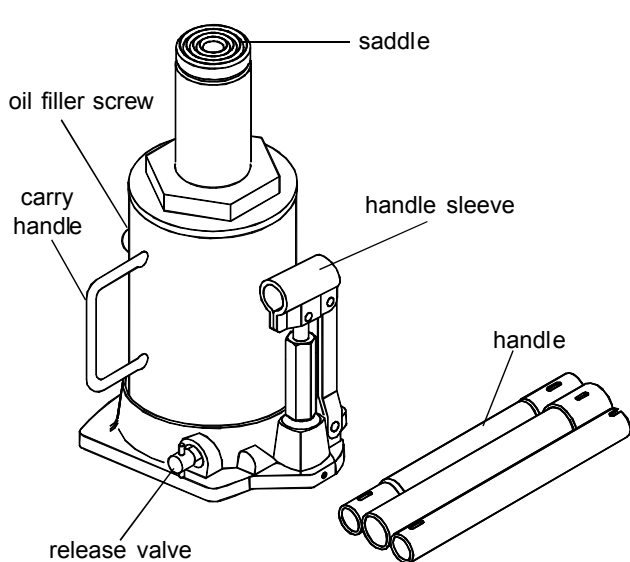


Figure 1 - 10300 Nomenclature

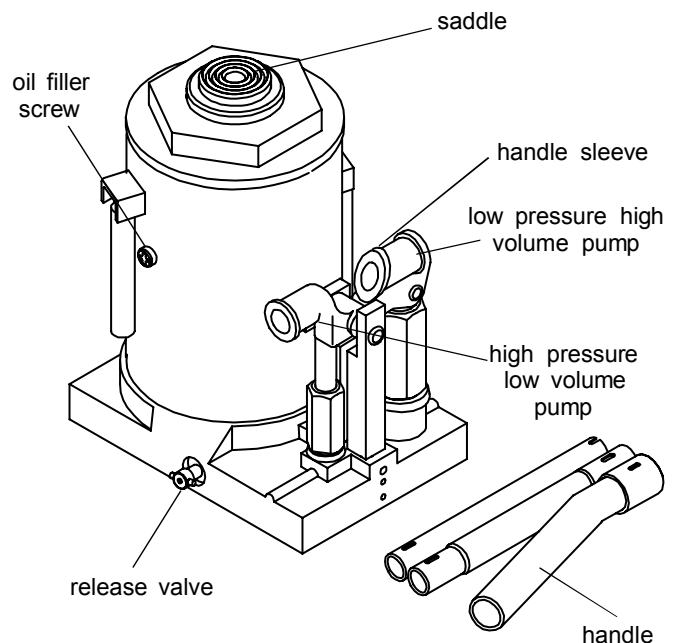


Figure 2 - 10500 Nomenclature

PREPARATION

Before Use

1. Verify that the product and the application are compatible, if in doubt call Omega Lift Technical Service (888)332-6419.
2. Before using this product, read this manual completely and familiarize yourself thoroughly with the product and the hazards associated with its improper use.
3. Assemble handle sections by lining up spring clip of smaller diameter handle section with slot of larger handle section. Press down on spring clip and slide smaller diameter section until clip is secure in slot.
4. With the notched end of the provided handle, engage and open the release valve (counterclockwise no more than 1/2 turn).
5. With ram fully retracted, locate and remove the oil filler screw. Insert the handle into handle sleeve, then pump 6 to 8 strokes. This will help release any pressurized air which may be trapped within the reservoir. Ensure the oil level is just below the oil filler screw hole. Reinstall the oil filler screw.
6. Check to ensure that the pump operates smoothly before putting into service. Replace worn or damaged parts and assemblies with Omega Lift Authorized Replacement Parts only.
7. Inspect before each use. Do not use if bent, broken or cracked components are noted.

⚠WARNING

Study, understand, and follow all instructions before operating this device. Do not exceed rated capacity. Use only on hard, level surfaces capable of supporting the load. Lifting device only. Immediately after lifting, support the vehicle with appropriate means. Failure to heed these markings may result in personal injury and/or property damage.

OPERATION

Lifting

1. Assemble 3 pc. handle, ensure that spring clips align with slots.
2. Use wheel chocks to help prevent inadvertent shifting and movement of vehicle being lifted.
3. Position the jack near lift point. Lift only on those areas recommended by the vehicle manufacturer. Consult vehicle service manual for the location of recommended lift points.
4. Close the release valve by turning it clockwise until it is firmly closed.

⚠ CAUTION: Use the handle provided with this product or an authorized replacement handle to ensure proper release valve operation. Do not use an extender on the operating handle.

5. Insert and secure handle into handle sleeve. Pump handle until saddle contacts load.
- 5a. (Model 10500 only): Insert and secure handle one of into handle sleeves. For higher speed, no load lifting, use the low pressure high volume pump. For loaded operation and easier operating force, use the high pressure low volume pump. Pump handle until saddle contacts load.
6. Raise load to desired height, then immediately transfer the load to appropriately rated support devices such as jack stands.

Lowering

1. Raise load enough to carefully remove jack stands.
 2. Secure handle onto release valve and slowly turn handle counterclockwise, but no more than 1/2 turn.
 3. If load fails to lower:
 - a. Carefully transfer the load to another lifting device and jack stands.
 - b. Carefully remove affected jack, and then the jack stands. Lower the load, again by slowly turning the release valve no more than 1/2 turn.
- ⚠ WARNING:** Use the handle provided with this product or an authorized replacement handle to ensure proper release valve operation. Do not use an extender on the operating handle.
4. After removing jack from under the load, push ram and handle sleeve down to reduce exposure to rust and contamination.

MAINTENANCE

Important: Use only a good grade hydraulic jack oil. Avoid mixing different types of fluid and NEVER use brake fluid, turbine oil, transmission fluid, motor oil or glycerin. Improper fluid can cause premature failure of the jack and the potential for sudden and immediate loss of load.

Adding oil

1. With saddle fully lowered and pump piston fully depressed, set jack in its upright, level position. Remove oil filler screw.
2. Fill until oil is level with the filler screw hole, reinstall oil filler screw.

Changing oil

For best performance and longest life, replace the complete fluid supply at least once per year.

1. With saddle fully lowered and pump piston fully depressed, remove the oil filler plug.
2. Lay the jack on its side and drain the fluid into a suitable container.

Note: Dispose of hydraulic fluid in accordance with local regulations.

3. Fill with premium quality jack oil. Reinstall oil filler plug.

Lubrication

1. A coating of light lubricating oil to pivot points, axles and hinges will help to prevent rust and assure that wheels, casters and pump assemblies move freely.
2. Periodically check the pump piston and ram for signs of rust or corrosion. Clean as needed and wipe with a clean, oil soaked rag.

⚠ CAUTION: Never use sandpaper or abrasive material on these surfaces !

Storage

When not in use, store the jack with pump piston and ram fully retracted.

TROUBLESHOOTING

Symptom	Possible Causes	Corrective Action
Jack will not lift load	<ul style="list-style-type: none">• Release Valve not tightly closed• Overload condition	<ul style="list-style-type: none">• Ensure Release Valve is tightly closed• Remedy overload condition
Jack will lift, but not maintain pressure	<ul style="list-style-type: none">• Release Valve not tightly closed• Hydraulic unit malfunction	<ul style="list-style-type: none">• Ensure Release Valve is tightly closed• Contact Omega Lift Technical Service
Jack will not lower after unloading	<ul style="list-style-type: none">• Reservoir overfilled	<ul style="list-style-type: none">• Ensure load is removed, then drain fluid to proper level
Poor lift performance	<ul style="list-style-type: none">• Fluid level low• Air trapped in system	<ul style="list-style-type: none">• Ensure proper fluid level• Follow Bleeding/Venting Trapped Air procedure on page 3
Will not lift to full extension	<ul style="list-style-type: none">• Fluid level low	<ul style="list-style-type: none">• Ensure proper fluid level

REPLACEMENT PARTS

Please refer to the Parts drawing when ordering parts. Not all components of the jack are replacement items, but are illustrated as a convenient reference of location and position in the assembly sequence. Call or write for current pricing: SFA Companies Inc. 10939 N. Pomona Ave. Kansas City, MO 64153, U.S.A. Tel:(888)332-6419 Fax:(816)891-6599 e-mail:sales@omegalift.com Omega Lift Website: <http://www.omegalift.com>

Parts for Model No. 10300

Item	Part No.	Description	Qty
1	G62S-03301-000	Oil Filler Screw Assembly	1
2	B300-17000-000	Handle Assembly	1
3	BT02-17100-000	Release Valve	1
-	10300-L1	Label(s) (Not Shown)	1
-	10300-BJ2	Manual	1

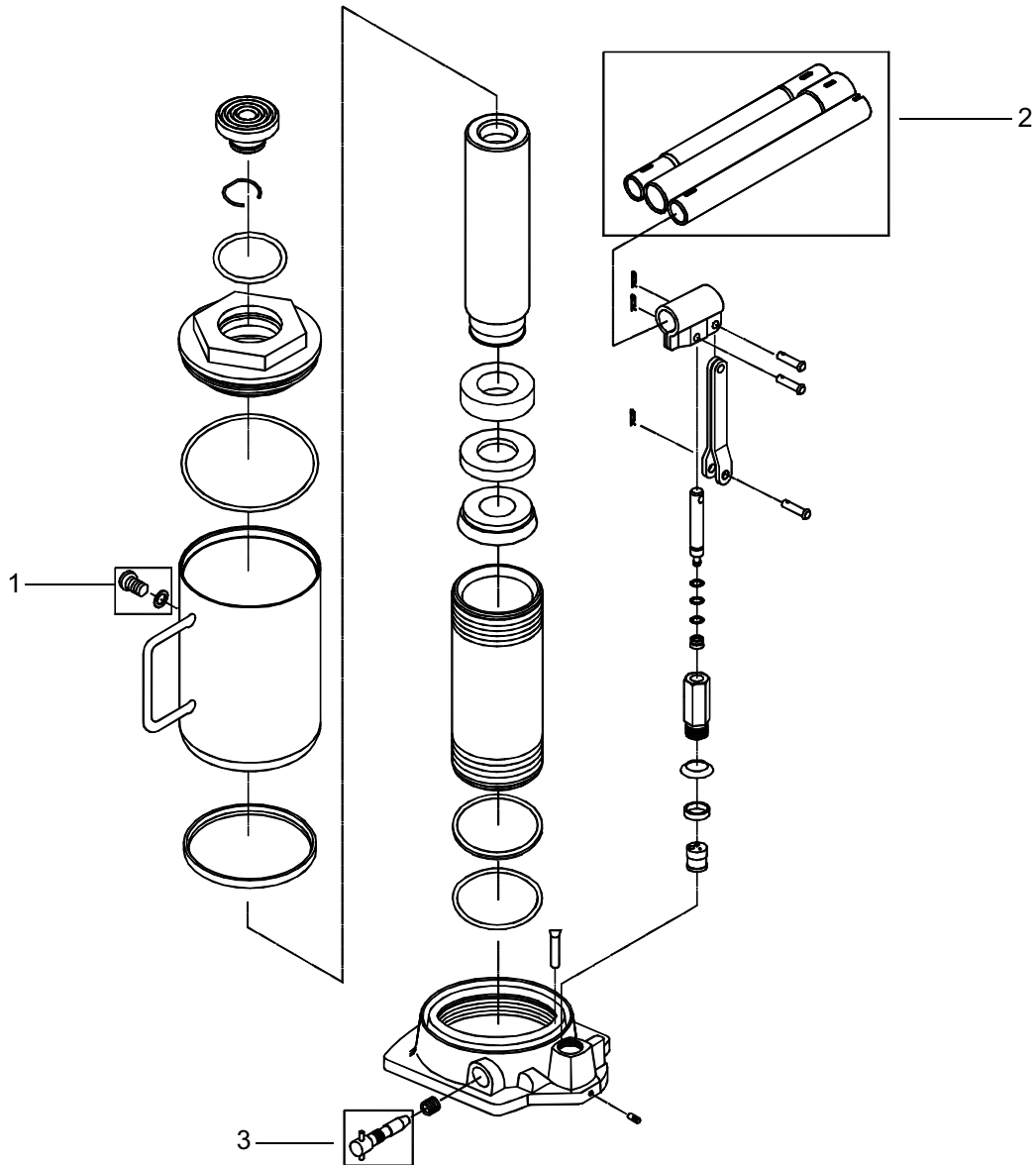


Figure 3 - Model 10300 Replacement Parts Illustration

Parts for Model No. 10500

Item	Part No.	Description	Qty
1	324-4-1900-309	Oil Filler Screw Assembly	1
2	248-3-2100-109	Handle Assembly	1
3	238-6-1701-403	Release Valve	1
-	10500-L1	Label(s) (Not Shown)	1
-	10300-BJ2	Manual	1

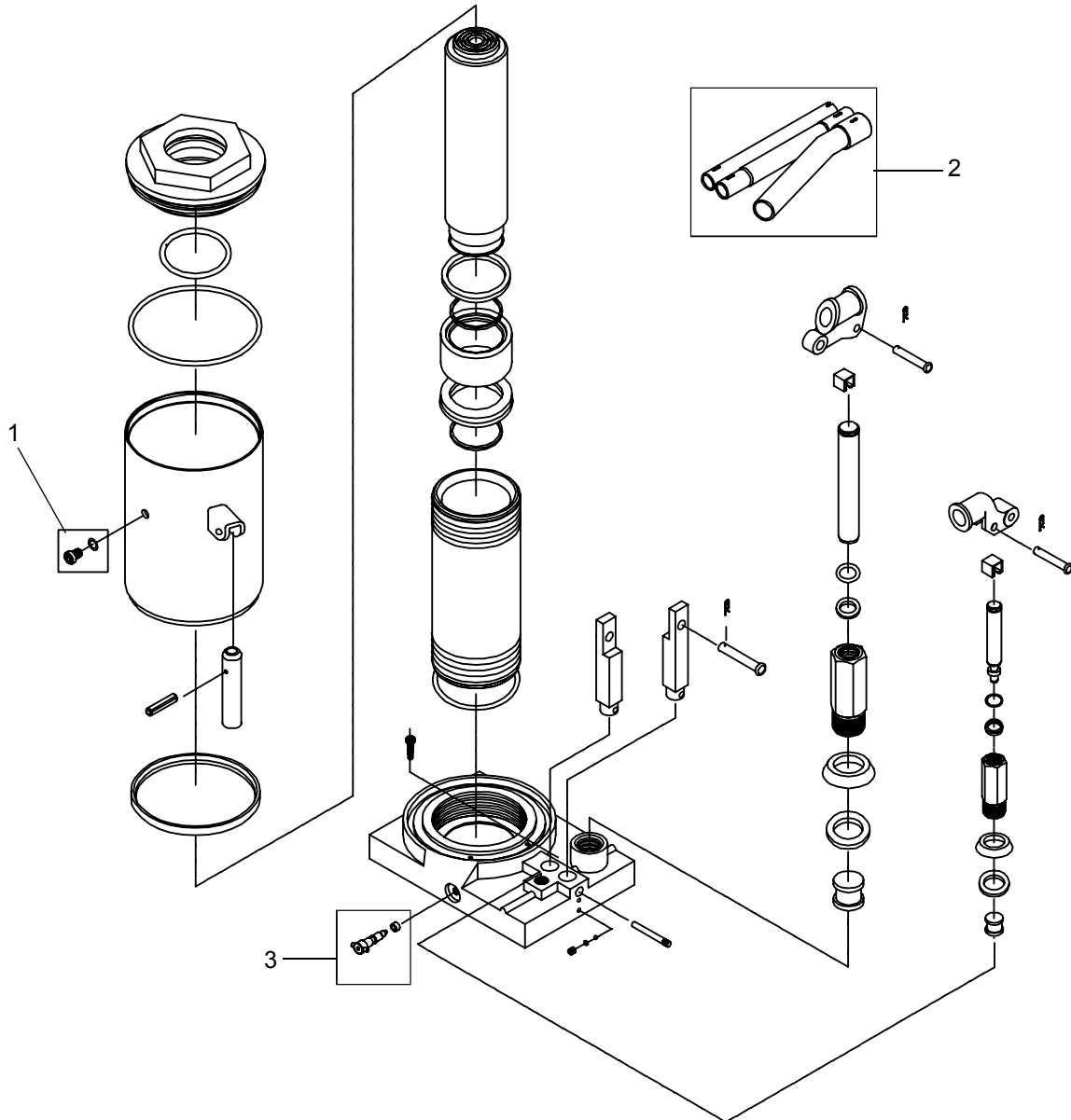


Figure 4 - Model 10500 Replacement Parts Illustration

ONE YEAR LIMITED WARRANTY

For a period of one (1) year from date of purchase, **SFA Companies, Inc.** will repair or replace, at its option, without charge, any of its products which fails due to a defect in material or workmanship under normal usage. This limited warranty is a consumer's exclusive remedy.

Performance of any obligation under this warranty may be obtained by returning the warranted product, freight prepaid, to **SFA Companies, Inc.** Warranty Service Department, 10939 N. Pomona Ave., Kansas City, MO 64153.

Except where such limitations and exclusions are specifically prohibited by applicable law, (1) THE CONSUMER'S SOLE AND EXCLUSIVE REMEDY SHALL BE THE REPAIR OR REPLACEMENT OF DEFECTIVE PRODUCTS AS DESCRIBED ABOVE. (2) **SFA Companies, Inc.** SHALL NOT BE LIABLE FOR ANY CONSEQUENTIAL OR INCIDENTAL DAMAGE OR LOSS WHATSOEVER. (3) ANY IMPLIED WARRANTIES, INCLUDING WITHOUT LIMITATION THE IMPLIED WARRANTIES OF MERCHANTABILITY AND FITNESS FOR A PARTICULAR PURPOSE, SHALL BE LIMITED TO ONE YEAR, OTHERWISE THE REPAIR, REPLACEMENT OR REFUND AS PROVIDED UNDER THIS EXPRESS LIMITED WARRANTY IS THE EXCLUSIVE REMEDY OF THE CONSUMER, AND IS PROVIDED IN LIEU OF ALL OTHER WARRANTIES, EXPRESS OR IMPLIED. (4) ANY MODIFICATION, ALTERATION, ABUSE, UNAUTHORIZED SERVICE OR ORNAMENTAL DESIGN VOIDS THIS WARRANTY AND IS NOT COVERED BY THIS WARRANTY.

Some states do not allow limitations on how long an implied warranty lasts, so the above limitation may not apply to you. Some states do not allow the exclusion or limitation of incidental or consequential damages, so the above limitation or exclusion may not apply to you. This warranty gives you specific legal rights, and you may also have other rights, which vary from state to state.

NOTES:



SFA Companies
10939 N. Pomona Ave. Kansas City, MO 64153
888-332-6419
sales@omegalift.com