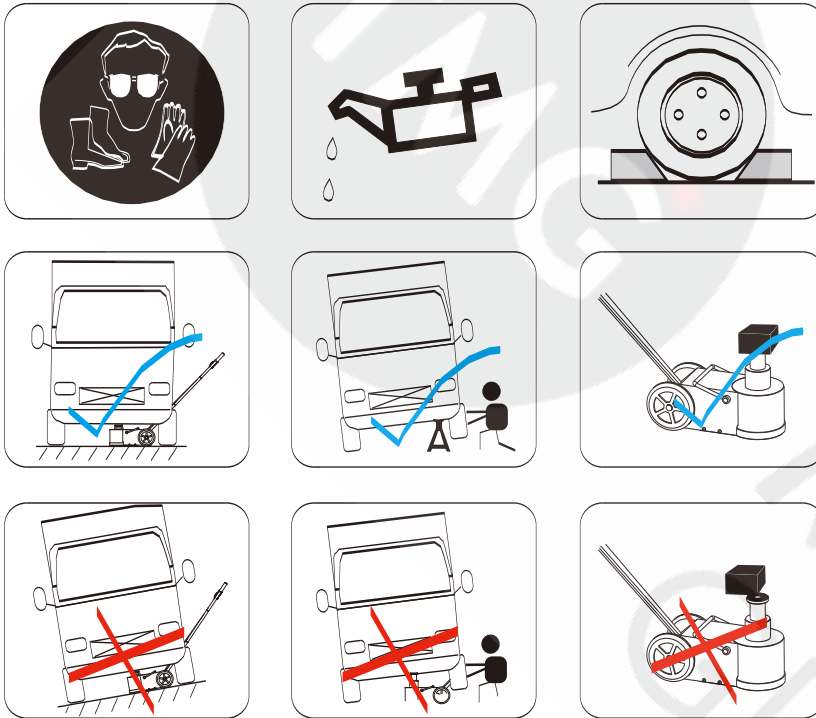




WARNINGS



Winntec Air Service Jack Operation Manual



Technical Data

Capacity: 24Ton

Working Air Pressure:8-12Bar/120-175PSI

Min Height:215mm

Max height:456mm

Lifting height:141mm

Extension Height:100mm 50mm

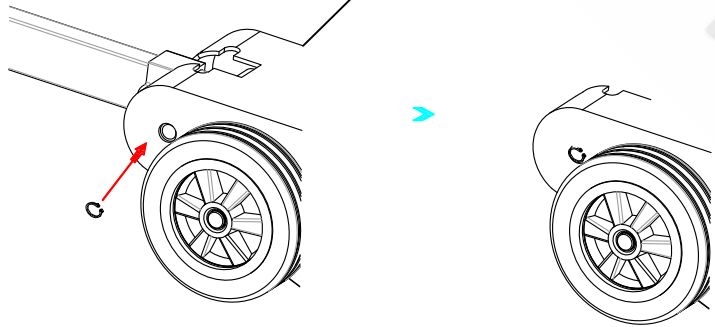
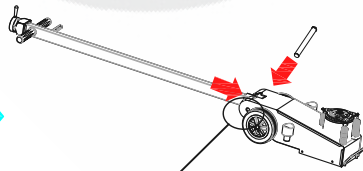
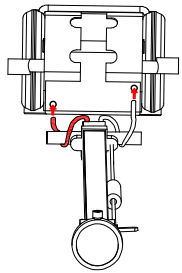
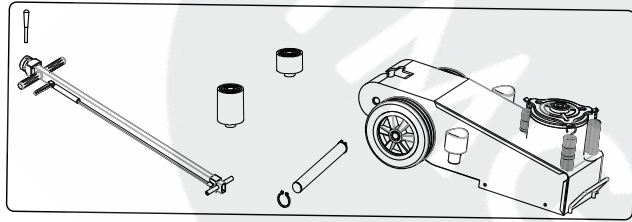


Warranty terms (with a minimum of 12 months), service availability, and service response times may vary from country or region to country or region.

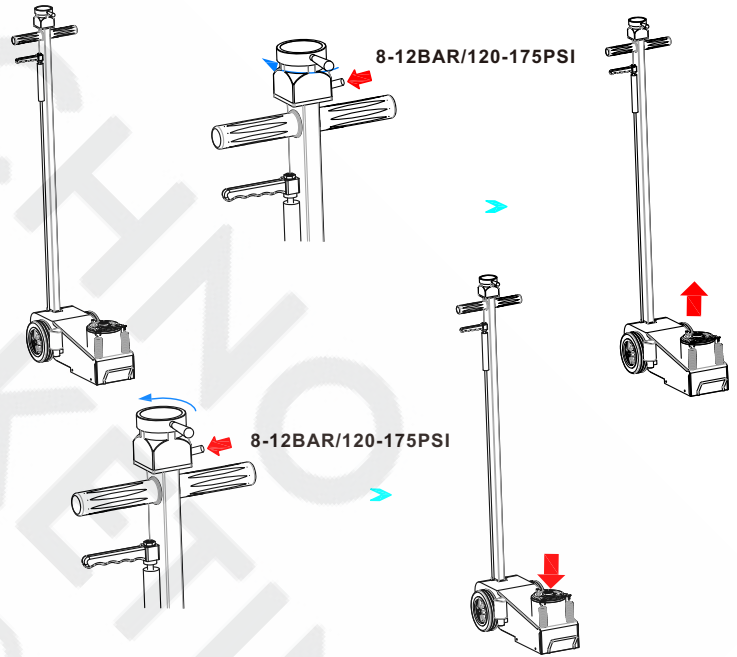
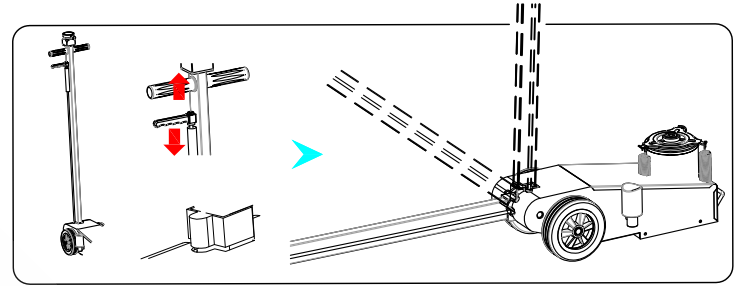
WINNTEC EU
Techno Group Benelux BV
Rechtzaad 6
4703 RC Roosendaal
The Netherlands
Website: www.winntec.net
e-mail: info@winntec.net

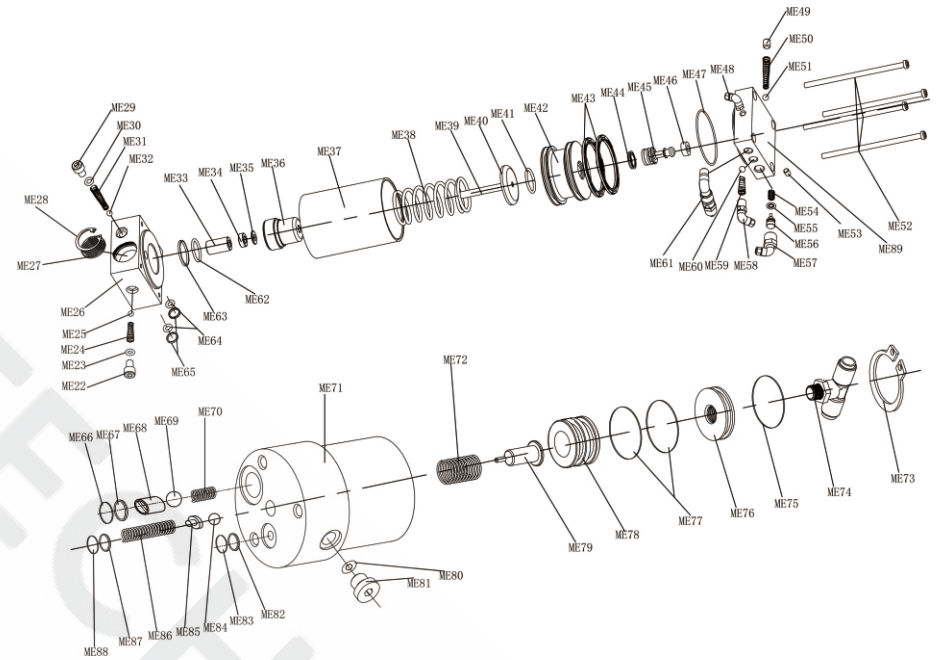
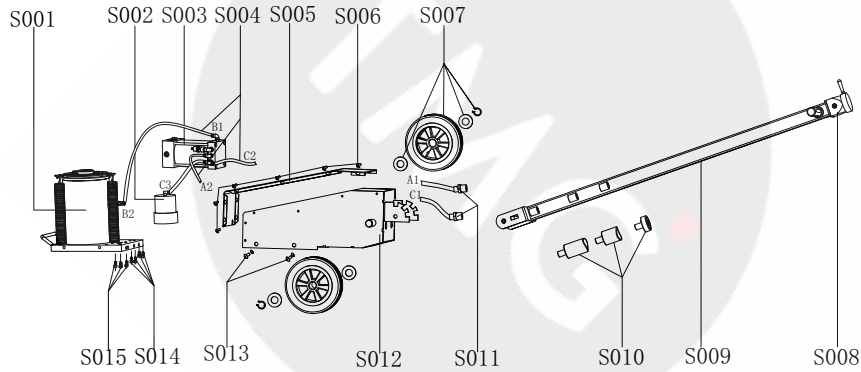
WINNTEC USA
Gaither Tool Company Inc.
21 Harold Cox Dr.
Jacksonville, Illinois 62650
USA
Website: www.gaithertool.com
E-Mail: sales@gaithertool.com

ASSEMBLY



USAGE





NO.	Description
S001	oil cylinder assy
S002	oil drain valve assy
S003	pump assy
S004	air hose
S005	tank cover
S006	screw
S007	wheel assy
S008	switch assy
S009	handle assy
S010	extension
S011	tie in
S012	tank
S013	screw
S014	screw
S015	screw

NO.:	Description
ME22	Screw Nut
ME23	O Ring
ME24	Spring
ME25	Steel Ball
ME26	Check Valve
ME27	Silencer Piece
ME28	Clamp
ME29	Screw Nut
ME30	O Ring
ME31	Spring
ME32	Steel Ball
ME33	Guide Bushing
ME34	Spacer
ME35	B3
ME36	Plunger Bushing
ME37	Air Cylinder
ME38	Spring
ME39	Plunger Rod
ME40	Plunger Cover
ME41	O Ring
ME42	Piston
ME43	PK Sealing
ME44	OE Sealing

NO.:	Description
ME45	Piston
ME46	Rubber Cap
ME47	O Ring
ME48	Tie In
ME49	Screw Nut
ME50	Spring
ME51	Rubber Ball
ME52	Screw
ME53	Screw Nut
ME54	Spring
ME55	O Ring
ME56	Piston
ME57	Tie In
ME58	Tie In
ME59	Spring
ME60	Rubber Ball
ME61	Tie In
ME62	O Ring
ME63	Locking Ring
ME64	O Ring
ME65	Locking Ring
ME66	O Ring
ME67	Locking Ring

NO.:	Description
ME68	Steel Ball Bulkhead
ME69	Steel Ball
ME70	Spring
ME71	Oil Drain Valve
ME72	Spring
ME73	Clamp
ME74	Tie In
ME75	O ring
ME76	End Cover
ME77	O ring
ME78	Oil Drain Piston
ME79	Oil Drain Bolt
ME80	O ring
ME81	Screw Nut
ME82	Locking Ring
ME83	O ring
ME84	Steel Ball
ME85	Screw Nut
ME86	Spring
ME87	Locking Ring
ME88	O ring
ME89	Air Inlet Base

