

GENERAL REPAIR

Complete Your Shop With Coats® Equipment



RC-45 RIM CLAMP®

TIRE CHANGER

Reliable. Dependable.
Durable.

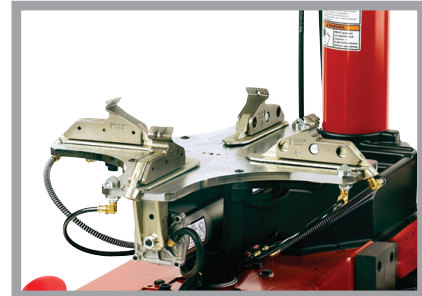


Manual Swing Arm



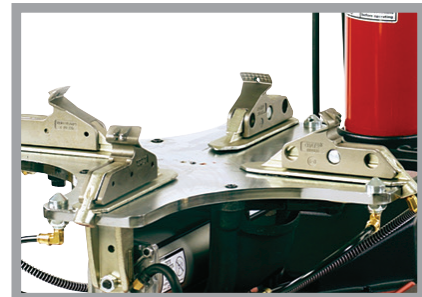
The Manual Swing Arm is easily adjusted so that the Coats Duckhead® Mount/Demount Tool is properly fitted to the tire rim.

Built-in Bead Sealing Jets



Quickly seals beads while tabletop inflation provides a faster workflow.

Best-In-Class Clamping Capacity



External clamping from 6" up to 24."

RC-45 RIM CLAMP® TIRE CHANGER

To learn more about the Coats RC-45 tire changer, or any of our other quality products, contact your authorized Coats distributor or call **1-855-876-3864** for the dealer nearest you.

COATS®

CONTACT US NOW

www.coatsgarage.com
or call 1-855-876-3864



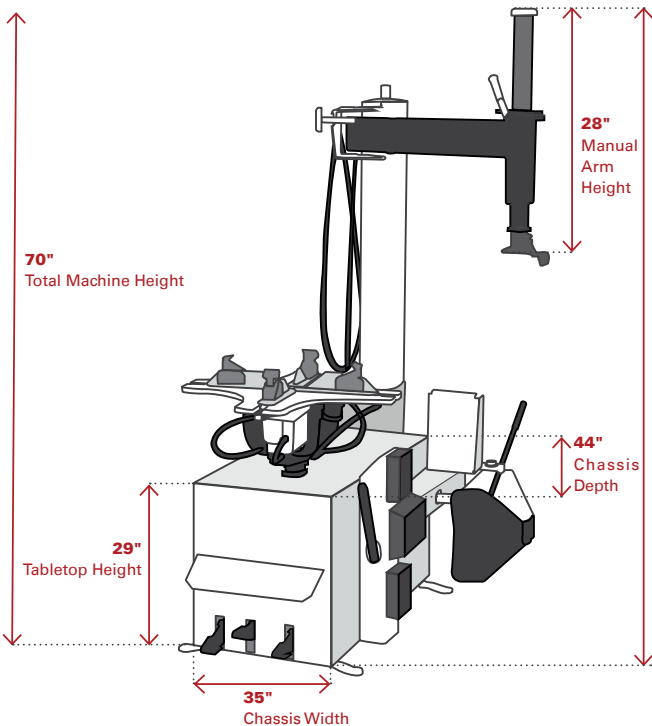
RC-45 TIRE RIM CLAMP® CHANGER

RELIABLE. DURABLE. UP FOR THE TASK.

SPECIFICATIONS

Wheel Handled	Alloy and Steel for Car and Light Truck
Rim Diameter	6" - 24" External
Maximum Tire Diameter	50" Max
Maximum Rim Width	10.5" Max
Bead Loosening System	Foot Control, Up to 10.5" Wide
Wheel Clamping System	4 Clamps, Air Cylinder Operated
Mount/Demount Mechanism	Swings Away for Better Access and Durability
Helper Devices	N/A
Bead Seating Air Volume	3.4 Gallons in Tower
Inflation Gauge	0 - 60 psi
Air Supply Gauge	0 - 300 psi
Air Drive System	1.5 HP Air Motor, 110 - 175 psi, 15 scfm (Air Model Only)
Electric Drive System	1 HP Electric Motor, 115 V, 60 Hz, 15amp (Electric Model Only)
Footprint	35" w x 44" d x 70" h
Ship Weight	600 lbs.
Warranty	1 Year Parts, 6 Months Labor
Part Number	Air Model: 85609949 Electric Model: 8560994901

EQUIPMENT FOOTPRINT



ACCESSORIES

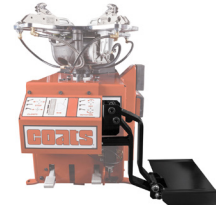
* Included With Purchase

Part Number	Description
*8182961	Duckhead® Mount/Demount Tool Inserts - 2
8183606	Bead Loosener Shoe Socks - 2
85009048	Paste Lube Bracket & Brush
8183710	Paste Lube
85607787	Grip-Max® Plus Clamps - 4
8560716108	Grip-Max® Plus Grips - 8
8184432	Grey High Spoke Duckhead® Mount/Demount Tool
85608959	Hybrid Duckhead® Mount/Demount Tool
85000783	Lift Tool Socks - 10
85610105	Premium Storage Cabinet
8183061	Plastic Duckhead® Mount/Demount Tool
85609077	Manual Bead Depressor Kit
8183604	Steel Clamp Booties

RECOMMENDED OPTIONAL ACCESSORIES



EL-X Express Lane Inflation System (PN 85607770)



Point of Use Lift System (PN 85608609)



Auxiliary Bead Sealer (ABS) (PN 85606545)

