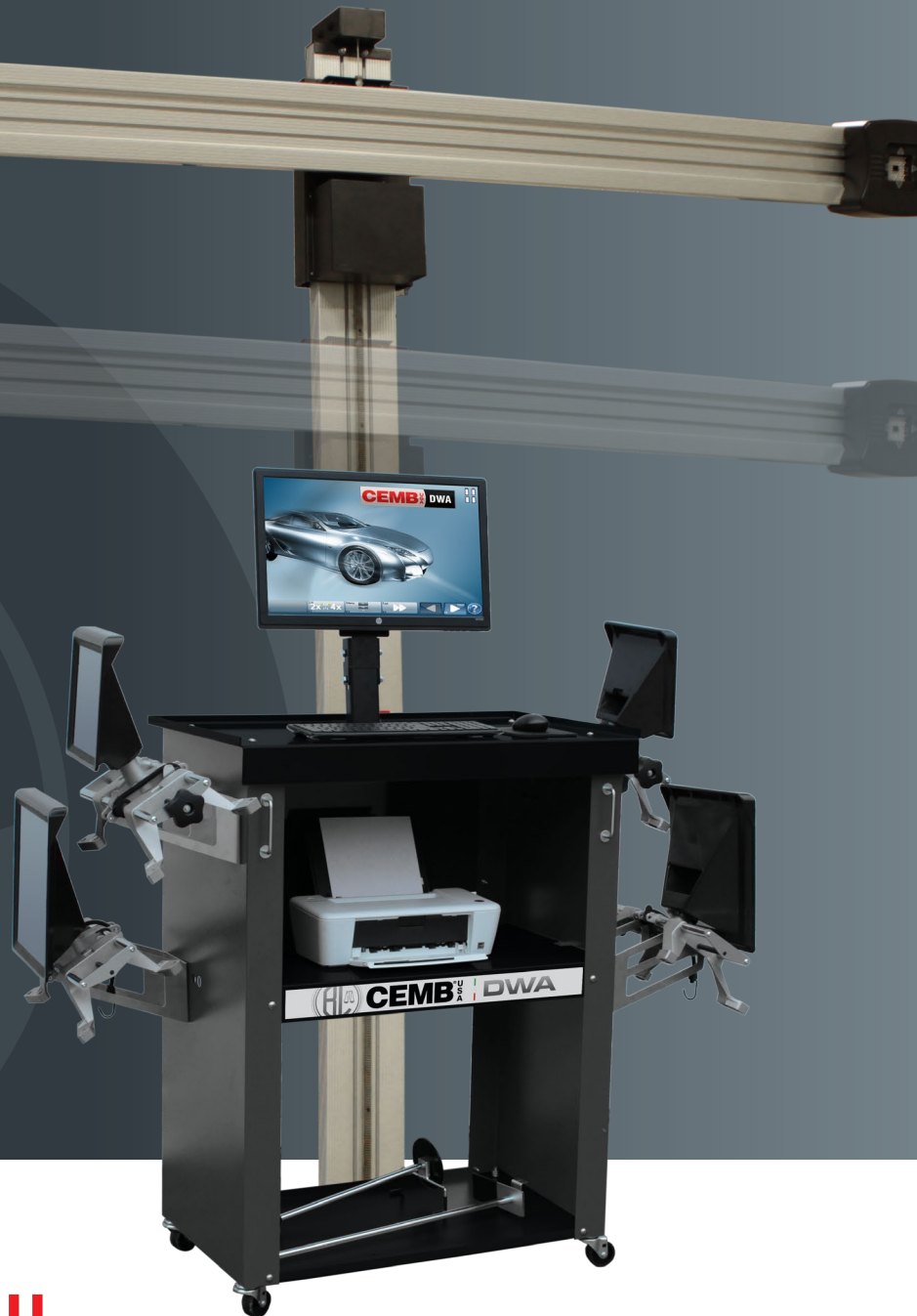


# DWA4000




## 3D IMAGING WHEEL ALIGNMENT

**DWA4000 WHEEL ALIGNER**  
improves safety and driver comfort,  
reduces fuel consumption and tire wear.

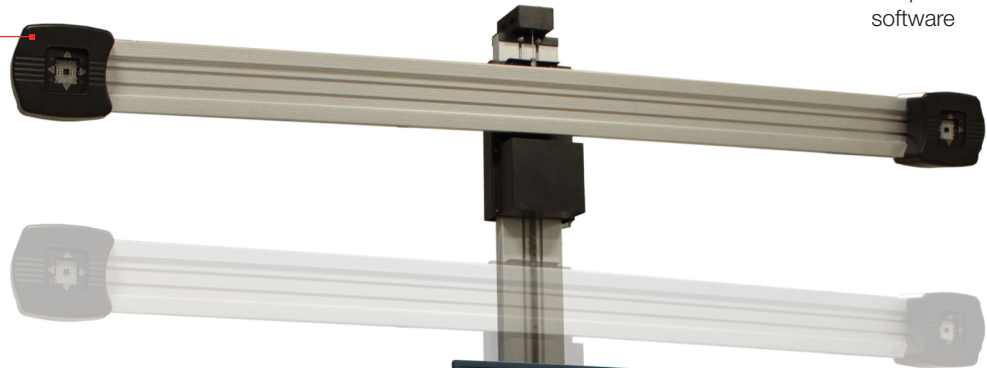


# CEMB<sup>®</sup> USA

# DWA4000

- Movable camera boom
- Alignment specification history of 40+ years
- Measurement of caster, camber, toe and all alignment angles needing consideration to do a proper and correct wheel alignment
- Optional VIN BARCODE Scanner  

- Targets with no electronics or batteries
- Four 4-point clamps 12" - 24"\* with universal 44mm grips  
(\* it does not mean rim diameter)

■ Simple and user friendly software



■ 24" TFT monitor

■ Complete car database with possible customization



■ Windows® operating system

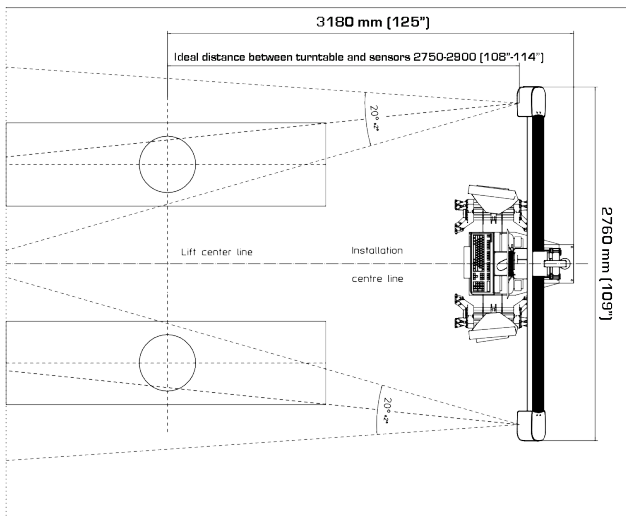
■ Brake pedal depressor and steering lock

Power requirements

110 VAC, 50/60 Hz, 1 ph

Shipping weight

685 lbs (310 Kg)



## STANDARD ACCESSORIES



## OPTIONAL ACCESSORIES

DUALLY WHEEL GRIPPERS - 46DWA7510  
 CLAMP EXTENSION (30") - 46DW75803  
 BANNER - BANNER-WA

CAR TURNPLATES - 1300025140P  
 CAR REAR SLIP PLATES - 1300020407  
 DUST COVER - 397000778

# CEMB<sup>®</sup> USA

CEMB® USA - BL Systems Inc.  
 2873 Ramsey Road, Gainesville GA 30501 - USA  
 Phone +1 (678) 717-1050 - sales@cemb-usa.com  
 www.cemb-usa.com

DISTRIBUTED BY

For a complete list of accessories and more information visit our website [www.cemb-usa.com](http://www.cemb-usa.com)

Because of continuing technological advancements, specifications, models and options are subject to change without notice.