

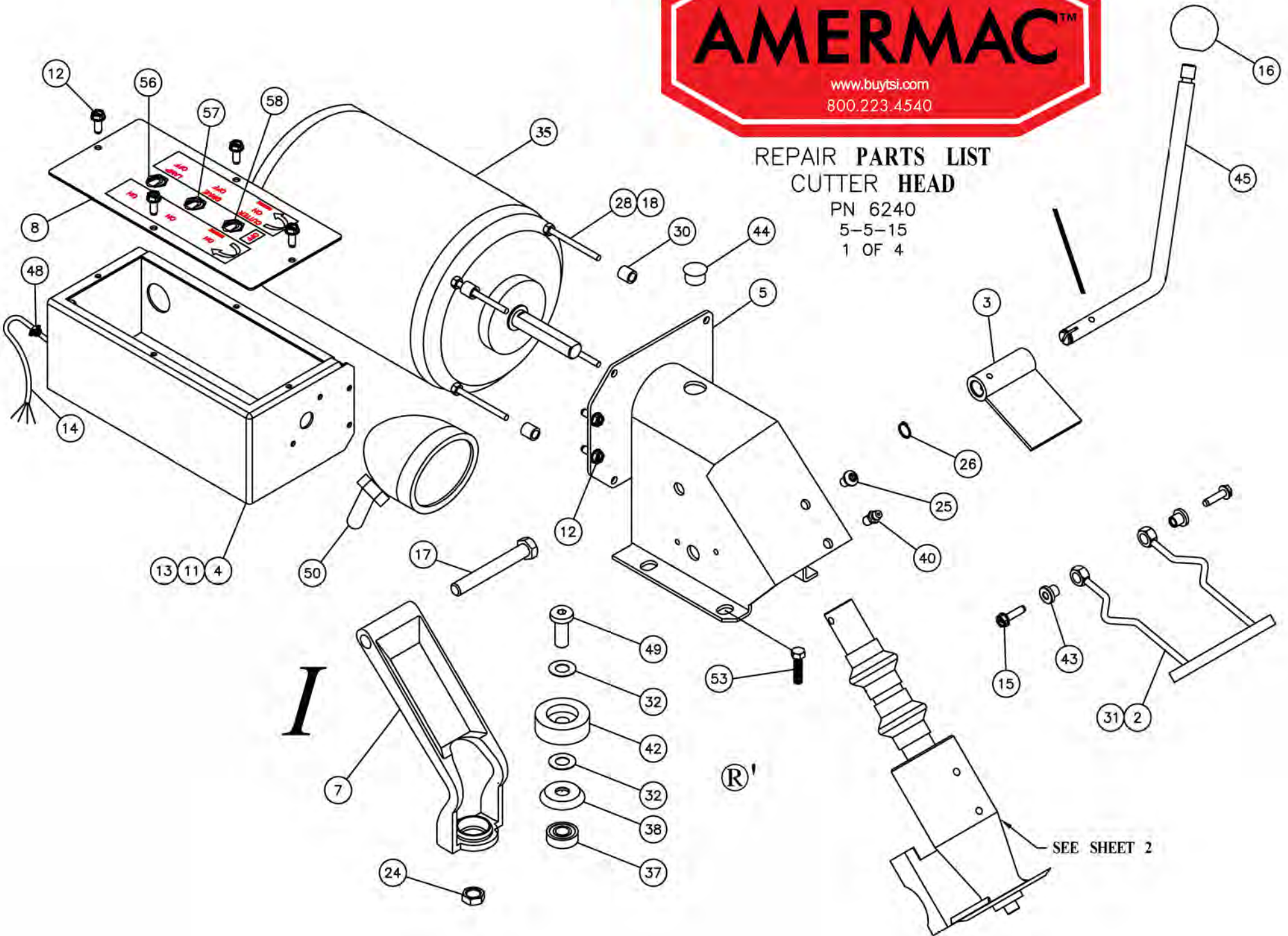
A DIVISION OF TSI

AMERMAC™

www.buytsi.com
800.223.4540

REPAIR PARTS LIST CUTTER HEAD

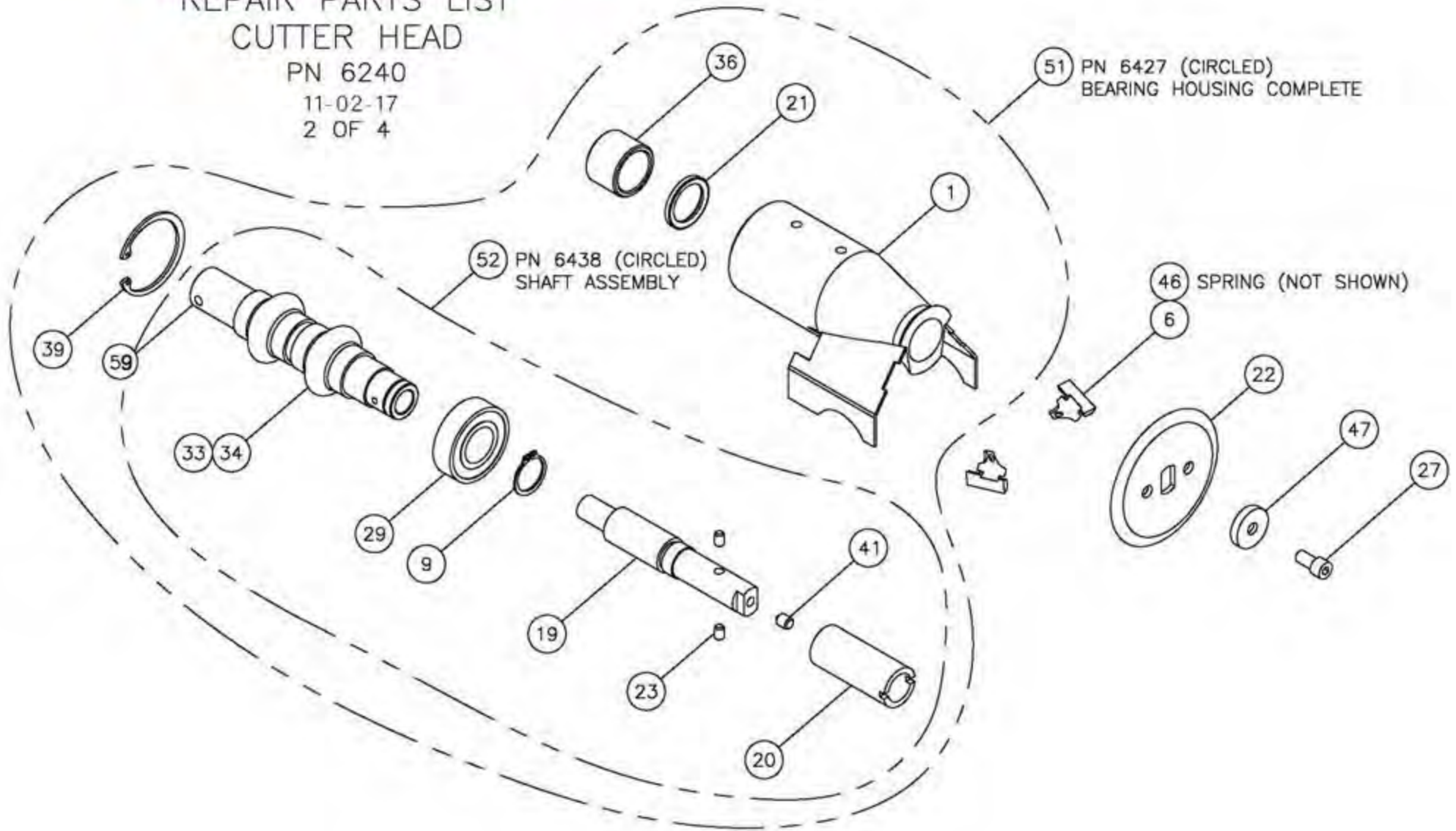
PN 6240
5-5-15
1 OF 4





REPAIR PARTS LIST
 CUTTER HEAD

PN 6240
 11-02-17
 2 OF 4



51 PN 6427 (CIRCLED)
 BEARING HOUSING COMPLETE

52 PN 6438 (CIRCLED)
 SHAFT ASSEMBLY

46 SPRING (NOT SHOWN)



CUTTER HEAD

REPAIR PARTS BOM

Page 1 of 1

PN: 6240

BEGINNING SERIAL NO.0000

05-21-19

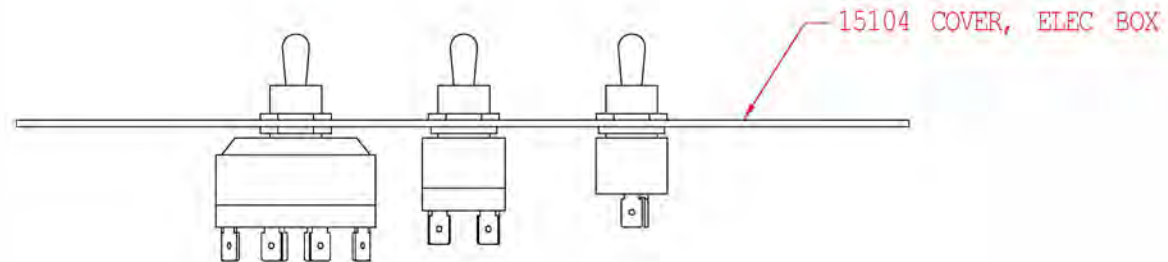
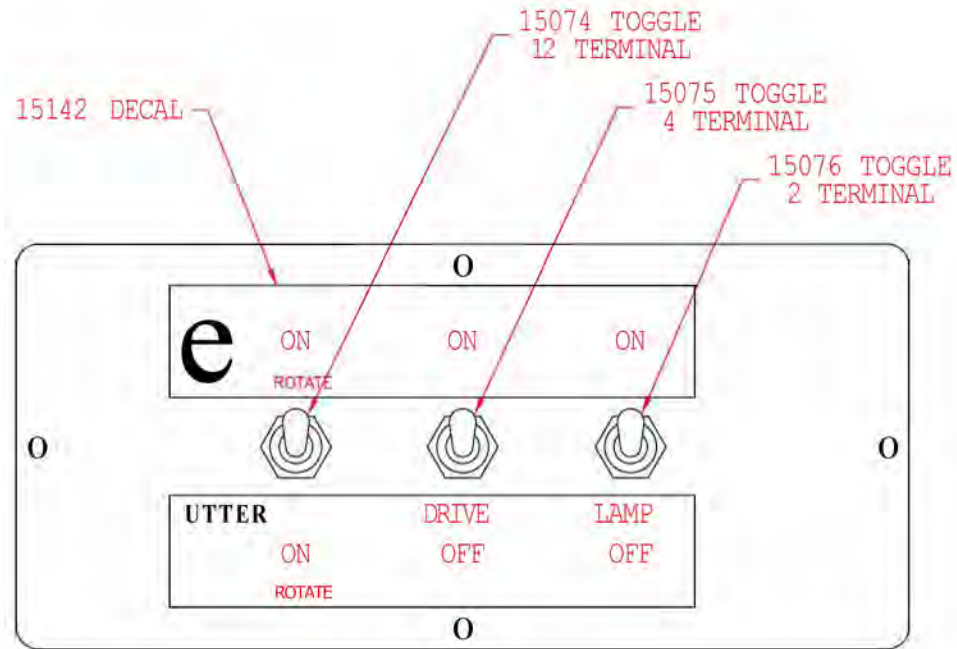
PARTS LIST			
ITEM	PART NO.	DESCRIPTION	QTY
1	6241	BEARING HOUSING WELD	1
2	6242	BLADE GUARD	1
3	6248	PRESSURE LEVER	1
4	6254	ELEC BOX, WELD	1
5	6457	CUT HEAD, HOUSING WELD, 405	1
	6283	CUT HEAD, HOUSING WELD, 711,1100,1200	
6	6306	SPRING MOUNTED CARBIDE	2
7	6307	STONE CARRIAGE WELD	1
8	6308	CONTROL BOX WIRE DIAGRAM	1
9	196	SNAP RING 3/4 EXT	1
10	212	NUT 3/8-16 HEX NYLOK	1
11	15032	CONDUIT NIPPLE 1/2" RIGID	1
12	1055	WHCS #10-24 X 1/2 LG SELF TAP	6
13	1292	WIRE 16 GA TW STRANDED	AR
14	15333	CORD, ELECTRIC 16/4	AR
15	4569	HWHST #10-24 X 3/4 LG SELF TAP	2
16	4780	KNOB 1-5/16 DIA X 3/8-16 THD	1
17	211	HHCS 3/8-16 X 3	1
18	10401	NUT #8-32 NYLOK	4
19	15000	SHAFT, CUTTER HEAD	1
20	15002	SLEEVE, ADJUSTMENT	1
21	15004	SEAL	1
22	15005	BLADE	1
23	15012	SLEEVE, LOCKING PIN	2
24	15021	JAM NUT 3/8-24	1
25	15022	BHCS 1/4-20 X 3/8	1
26	15023	SPRING-CLIP 7/16" DIA SHAFT X .035" THK	1
27	15025	SHCS 1/4-20 X 1/2	1
28	15029	MACH SCREW #8-32 X 7" LG	4
29	15030	BEARING .78 ID X 1.652 OD X .468 WIDE	1

PARTS LIST			
ITEM	PART NO.	DESCRIPTION	QTY
30	15033	TUBE, SPACER MOTOR	4
31	15034	DECAL - SHARP BLADE	2
32	15043	PAPER WASHER	2
33	15044	SPRING PIN 5/32 DIA X 3/4	2
34	15066	UNIVERSAL JOINT MODIFIED	1
35	15067	MOTOR 1/3 HP 115V 60Hz 1800 rpm	1
36	15094	BUSHING, BRONZE	1
37	15138	BEARING, STONE	1
38	15211	STONE, DUST CAP	1
39	15223	SNAP RING 1-3/4 DIA X .062 THK	1
40	15224	ZERK 1L 1/4-28 STRAIGHT	1
41	15225	SHSS 1/4-20 X 3/8 POINTED	1
42	15226	STONE	1
43	15227	BUSHING, BLADE GUARD	1
44	15230	HOLE PLUG	1
45	15231	ARM, SHARPENER	1
46	15232	SPRING, CARBIDE HOLDER	2
47	15233	WASHER, BLADE MOUNTING	1
48	15241	STRAIN RELIEF - HEYCO 7P-2	1
49	15229	BOLT, GRINDING STONE	1
50	15297	LAMP ASSEMBLY, HALOGEN	1
51	6427	BEARING HOUSING COMPLETE	REF
52	6438	SHAFT ASSEMBLY	REF
53	368	HHCS 5/16-18 X 5/8	4
54	1630	SPRING LOCK WASHER	4
55	445	FLAT WROUGHT WASHER	4
56	15076	TOGGLE SWITCH #2 TERMINAL	1
57	15075	TOGGLE SWITCH #4 TERMINAL	1
58	15074	TOGGLE SWITCH #12 TERMINAL	1
59	275.028	SET SCREW	1

ELEC PARTS FOR ASSY		
TOGGLE	TERM CONN	QTY
15074	15217	5
	15294	5
	15295	15
	15296	3
15075	15217	2
	15294	2
	15295	4
15076	15295	2

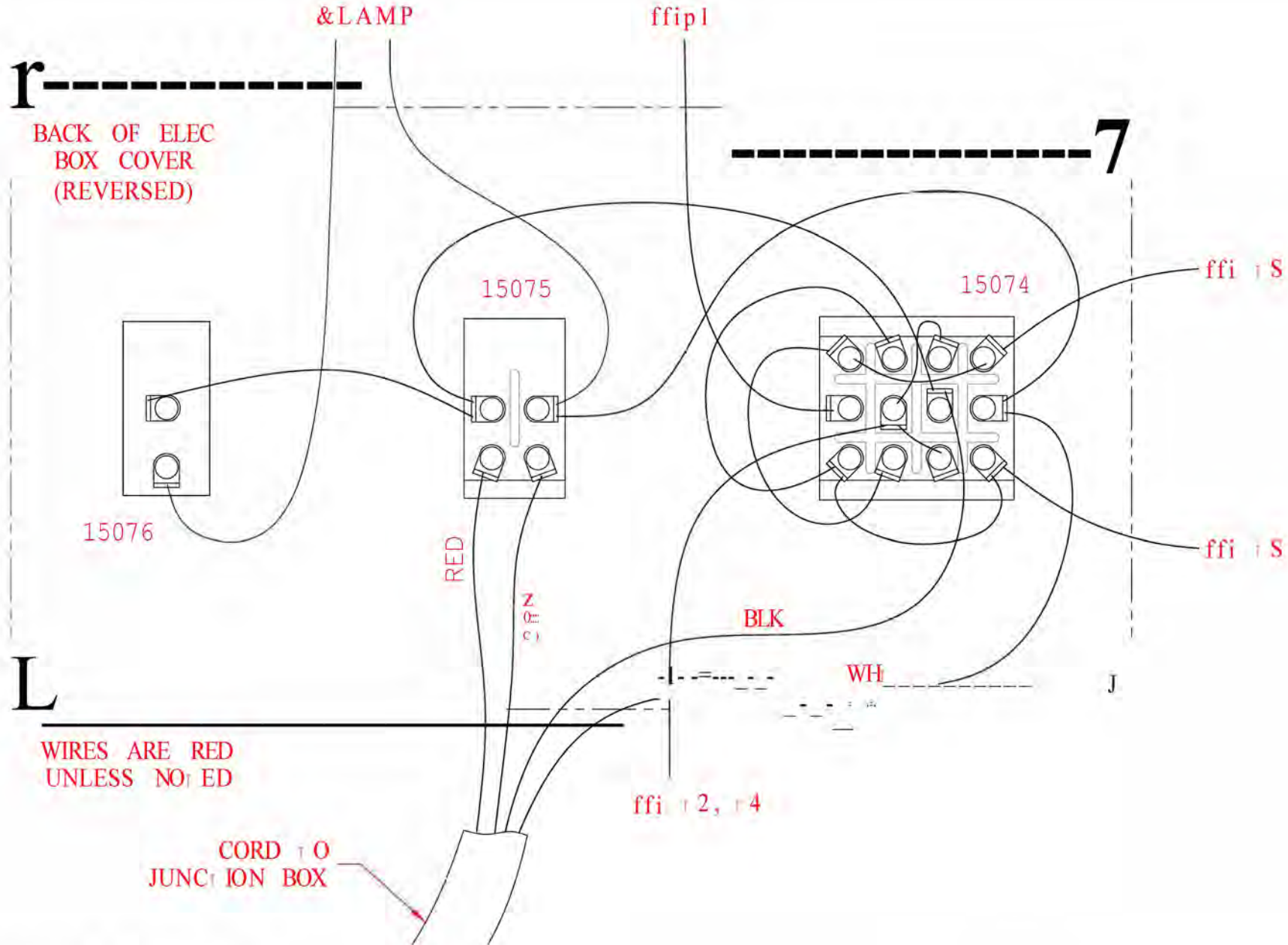
USE GASOLINE RESISTANT
UL APPROVED 16 AWG
WIRE AS REQUIRED.

ELEC PARTS TO CONNECT TO
LAMP AND MOTOR INCLUDED.



NOTE: 1. REMOVE ALL BURRS & SHARP EDGES.

::i ;0 =: AND IF AND THE DRAWING WILL NO SHAL REMIN THE PROPERTY OF TIRE SERVICE EQUIPMENT INC. AND ARE NOT TO BE USED WITHOUT WRITTEN PERMISSION AND APPROVAL. C 210	MATL: SEE DRAWING	DESIGNER: M REDISKE	SCALE: N/A	REV	DESCRIPTION	DATE
	TOLERANCE UNLESS NOTED: DECIMALS ±.010 FRACTIONS ±1/32 ANGLES ±1/2°	DR. BY: M REDISKE	DATE: 05/24/10	INT:	*** 711	SHEET: 1 OF 2
				PART NAME: CONTROL BOX WIRE DIAGRAM		QTY PER UNIT: NA
				C 6308		



& LOCATION TO CONNECT LAMP.

WIRES P1, T2, T4, T5 & T8 REFER TO A LEESON MOTOR SOURCE. THE SAME LEADS CAN BE USED ON A MARATHON MOTOR SOURCE.

1. REMOVE ALL BURRS & SHARP EDGES.

NOTE:

MAN SEE DRAWING		REV		DESCRIPTION		DATE	
TOLERANCE UNLESS NOTED:		DESIGNER: M REDISKE		SCALE: N/A		PART NAME: CONTROL BOX WIRE DIAGRAM	
DECIMALS ±0.10	DR. BY: M REDISKE	DATE: 05/24/10		DATE: 05/24/10		QTY PER UNIT: NA	
FRACTIONS ±1/32	INT.:	TIRE SERVICE INTERNATIONAL		C 6308		SHEET: 2 OF 2	
ANGLES ±1/2°							