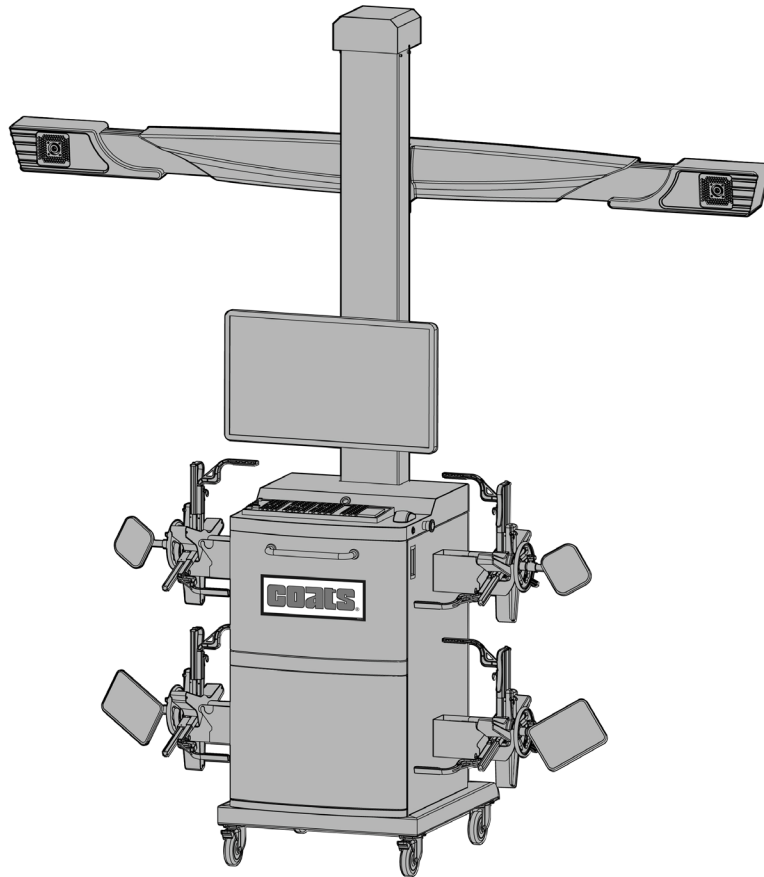


# COATS®

## CWA6500 Model Wheel Aligner

For servicing single piece automotive and most light truck tire/wheel assemblies.



### *Parts Identification*

READ these instructions before placing unit in service. KEEP these and other materials delivered with the unit in a binder near the machine for ease of reference by supervisors and operators.

**HENNESSY**  
**INDUSTRIES**

1601 J. P. Hennessy Drive, LaVergne, TN USA 37086 615/641-7533 800/688/6359 www.coatsgarage.com  
HENNESSY INDUSTRIES LLC Manufacturer of COATS®, AMMCO® and BADA® Automotive Service Equipment and Tools.

Manual Part No.: 85612053 00  
Revision: 10/20

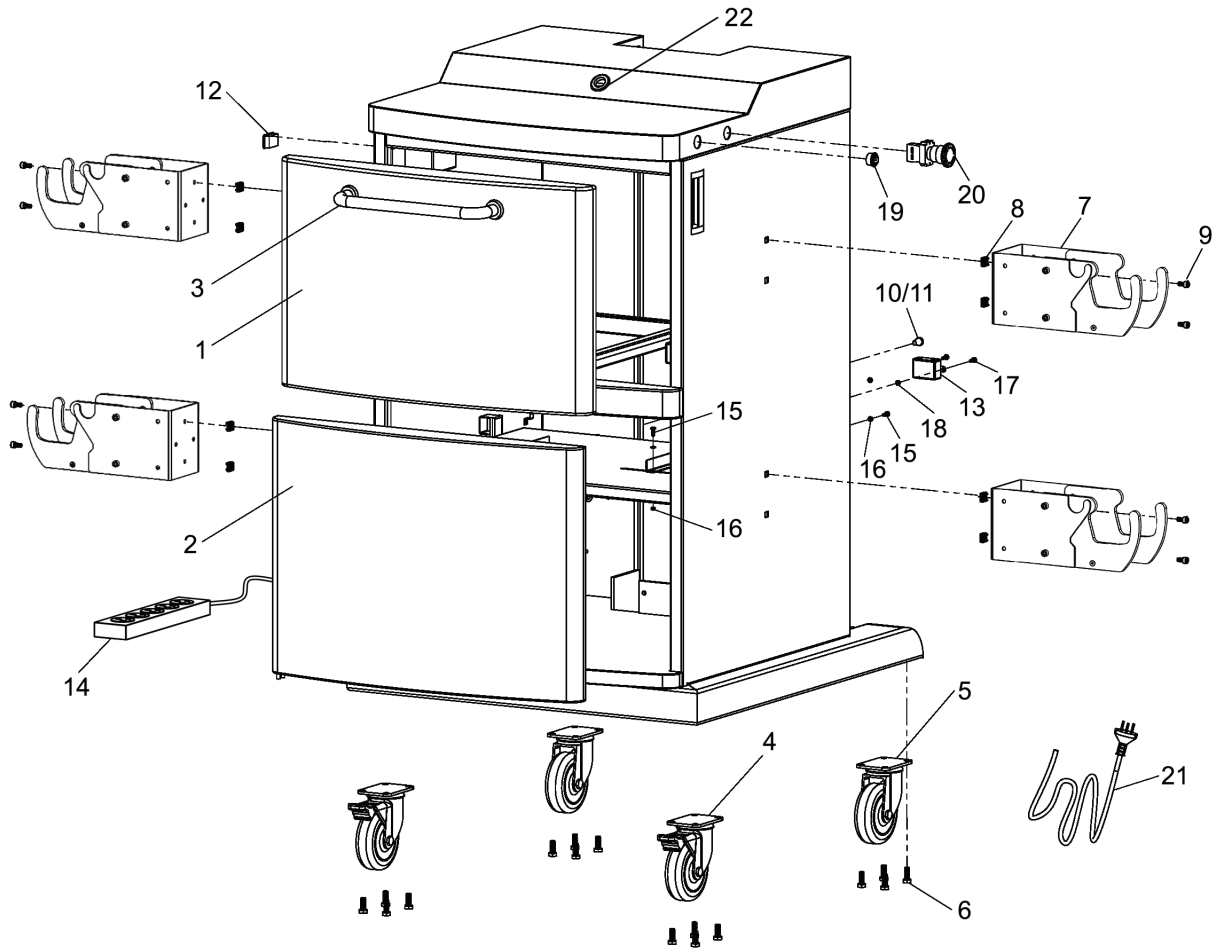
## **Parts Identification**

The following pages include parts breakdowns with exploded view illustrations to help with ordering replacement or spare kits. Assemblies are noted where it is recommended that individual parts not be ordered separately. Note that the parts view illustrations are for multiple models and not all parts shown are on all models. Every effort is made to supply accurate exploded views, however, due to interim changes in manufacturing operations, some units may not be exactly as illustrated.

### **Table of Contents**

<b>Parts Identification .....</b>	<b>2</b>
<b>Cabinet .....</b>	<b>3</b>
<b>Post .....</b>	<b>5</b>
<b>Beam.....</b>	<b>8</b>
<b>Camera .....</b>	<b>10</b>
<b>Target.....</b>	<b>11</b>
<b>Wheel Clamp.....</b>	<b>12</b>
<b>Quick Wheel Clamp .....</b>	<b>13</b>

# Cabinet



# Cabinet

Pos.	SP No.	Identification	Qty
	<b>8031305001</b>	<b>Mobile Cabinet</b>	
1	8031301110	Top Drawer	1
2	8031301120	Cabinet Door	1
3	8011012000	Handle for Top Drawer	1
4	8011010901	Castor with Lock	2
5	8011011001	Castor without Lock	2
6	1112082003*	M8*20 Hex Bolt	16
7	8031403000	QC 20 Wheel Clamp Hanger	4
8	1212060004*	M6 Nut	8
9	1117061201*	M6*12 Hexagon Socket Head Cap Screw	8
10	4531100290*	Fuse Holder	1
11	4525030290*	Fuse 3A	1
12	4560800290	Main Console Switch	1
13	4706300290	Filter for Power Supply	1
14	4600603290	6 Outlet Power Strip with NA Plug	1
15	1112041207*	M4*12 Philips Pan Head Screw	5
16	1213040001*	M4 Nut	5
17	1111031006*	M3*10 Philips Undersunk Screw	2
18	1211030001*	M3 Nut	2
19	4503500290	Switch	1
20	4500200290	Emergency Stop Switch	1
21	4701023000	Power Cord NA 3M	1
22	1810220200	Rubber Ring	1
	8017010101	Computer-Dell-Eng Home	1
	8017020301	Monitor 32" -110V	1
	8017030001	Printer-110V	1
	8037090203	Software key	1

\*Not available to order separately. Local purchase recommended.



# Post

Pos.	SP No.	Identification	Qty
	<b>8034020020</b>	<b>Complete Post Assembly with Auto Tracking</b>	
1	8034020912	Steel Rectangular Tube	1
2	1312080000*	Flat Gasket 8	4
3	1312060000*	Flat Gasket 6	5
4	1117061201*	M6*12 Hexagon Socket Head Cap Screw	5
5	1117051201*	M5*12 Hexagon Socket Head Cap Screw	4
6	1113051201*	M5*12 Hexagon Socket Head Cap Screw	34
7	8034000800	The Guide Rail Support	4
8	8034000500	Guide Rail (2100mm)	2
9	8034002000*	Rail Fixing Washer	6
10	1111064004*	M6*40 Hexagon Socket Set Screws with Cup Point	6
11	1212060001*	M6 Nut	6
12	8034010620	Lock Plate	1
13	8034010700	Lock Bar Pad	1
14	1113041207*	M4*12 Philips Pan Head Screw	14
15	1318070406*	Shim	8
16	1113052001*	M5*20 Hexagon Socket Head Cap Screw	2
17	1213100001*	M10 Nut	1
18	8034010800	Lock Bar Seat	1
19	1113081101*	M8*110 Hexagon Socket Head Cap Screw	2
20	8034001304	Post Back Cover Plate	2
21	4515500290	Limit Switch	2
22	4700305300*	Cable	2
23	1113031607*	M3*16 Philips Pan Head Screw	4
24	8034011502	Limit Switch Support	2
25	1213030001*	M3 Nut	4
26	8034011230	Lock Tongue	1
27	8034011260*	Spring	1
28	1111051604*	M5*16 Hex Socket Set Screws with Flat Point	2
29	8034011210	Lock Housing	1
30	8034011240	Lock Shaft	1
31	1611080001*	Spring Flange 8	2
32	1113041206*	M4*12 Philips Undersunk Screw	4
33	8034011300	Limit Switch Support Block 1	1
34	8034011400	Limit Switch Support Block 2	1

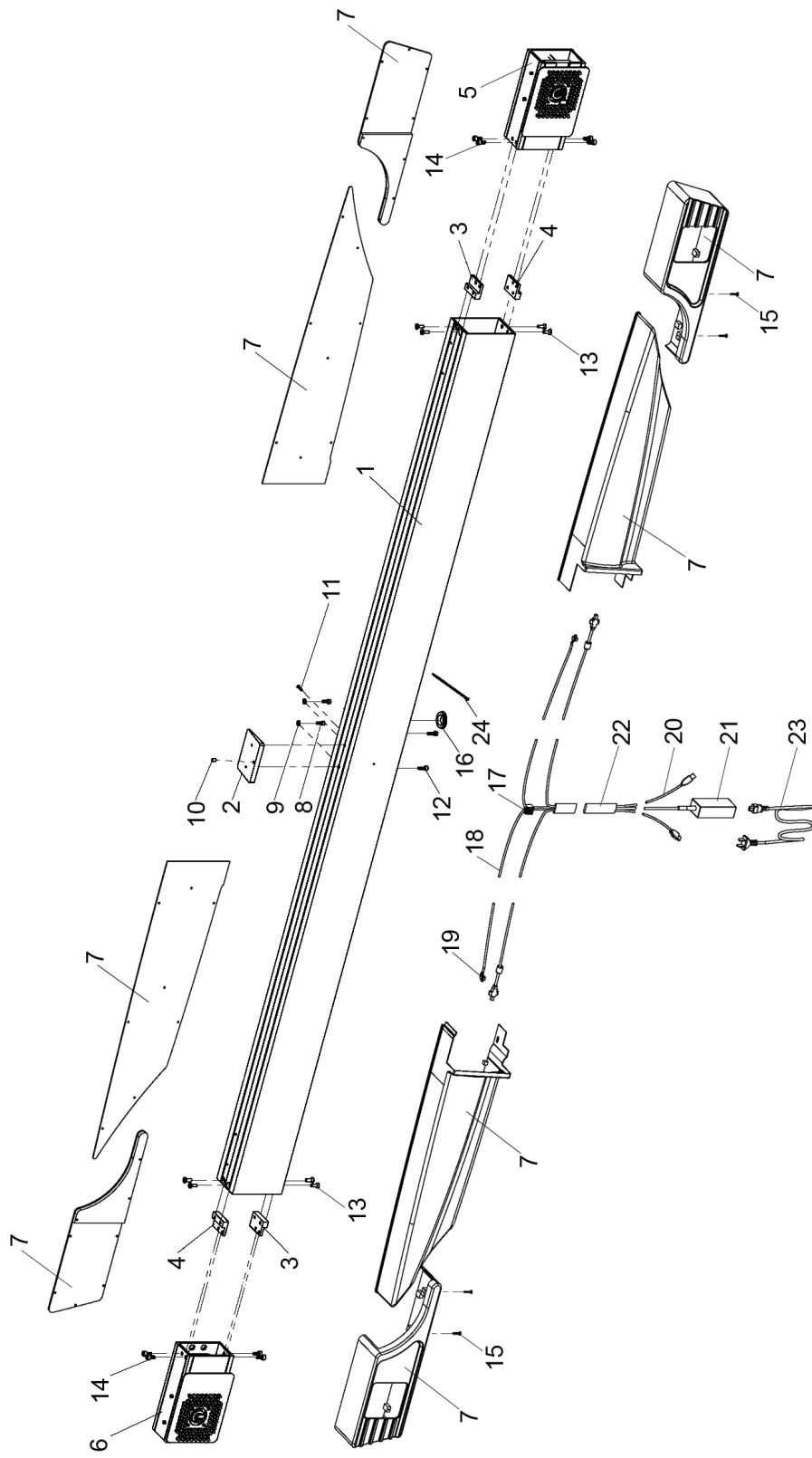
\*Not available to order separately. Local purchase recommended.

# Post

Pos.	SP No.	Identification	Qty
35	1113061202*	M6*12 Hex Undersunk Screw	2
36	1312050000*	Flat Gasket 5	2
37	1113082501*	M8*25 Hexagon Socket Head Cap Screw	2
38	8034001026	Beam Support Bottom Plate	1
39	1113051601*	M5*16 Hexagon Socket Head Cap Screw	4
40	8034001016	Beam Support Plate	1
41	8034000425	Angled Beam Front Support	2
42	8034000100	Linear Bearing	4
43	8034010501	Post Cover Cap	1
44	8034010336	Motor Assebmly Support Plate	1
45	8034010340	Motor Fixed Plate	1
46	8034010350	Winch	1
47	8034010360	Bearing Support	1
48	1461800000*	Bearing	1
49	1113051201*	M5*12 Hexagon Socket Head Cap Screw	4
50	1111040607*	M4*6 Philips Pan Head Screw	1
51	1111030807*	M3*8 Philips Pan Head Screw	8
52	1116030801*	M3x8+6 Copper Shim	4
53	4002415290	DC Motor for Electric Post	1
54	4502415290	Switching Power Supply	1
55	8034010314	Control Board for Electronically Adjustable Post with Autotracking	1
56	1111061201*	M6*12 Hexagon Socket Head Cap Screw	3
57	1117040807*	M4*8 Philips Pan Head Screw	3
58	1211030001*	M3 Nut	4
59	8034010313	D-Ring Shackle	1
60	8034010312	Cable Ferrule	1
61	8034010316	Steel Cable(2.3m)	1
62	4601020290*	Power Plug NA	1
63	4700205300*	Cable	3
64	4702005001	USB Cable 5m	1

\*Not available to order separately. Local purchase recommended.

# Beam



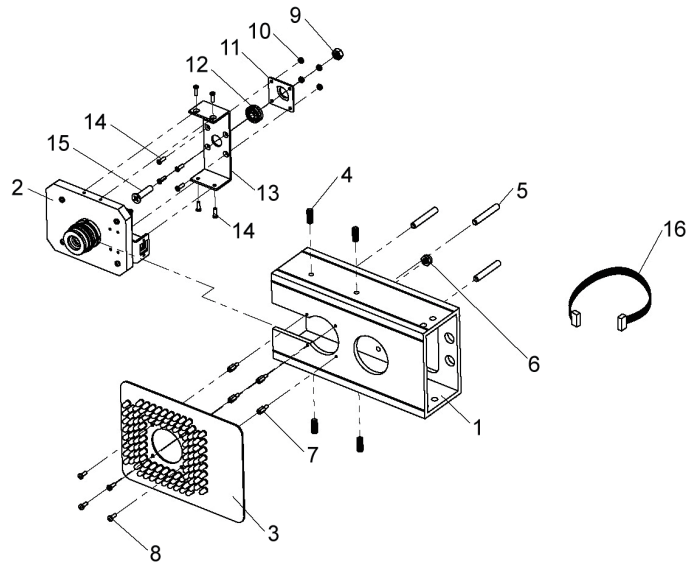


# Beam

Pos.	SP No.	Identification	Qty
	<b>8033300000</b>	<b>Complete Camera Beam Assembly</b>	
1	8033020300	Aluminium Tube	1
2	8033020900	6° Blister Board	1
3	8033021600	Beam Connection Plate A	2
4	8033021500	Beam Connection Plate B	2
5	8033053000	Camera Assembly V2 (Right)	1
6	8033054000	Camera Assembly V2 (Left)	1
7	8033010600	Plastic Cover-Front Left	1
	8033010700	Plastic Cover-Front Right	1
	8033010800	Plastic Cover-Front Centre Left	1
	8033010900	Plastic Cover-Front Centre Right	1
	8033011000	Plastic Cover-Back Centre Left	1
	8033011100	Plastic Cover-Back Centre Right	1
	8033011200	Plastic Cover-Back Left	1
	8033011300	Plastic Cover-Back Right	1
8	1111051201*	M5*12 Hexagon Socket Head Cap Screw	2
9	1312060000*	Flat Gasket 6	4
10	1111060804*	M6*8 Hex Socket Set Screws with Flat Point	1
11	1111031607*	M3*16 Philips Pan Head Screw	1
12	1113051601*	M5*16 Hexagon Socket Head Cap Screw	2
13	1112061602*	M6*16 Hex Undersunk Screw	8
14	1111061201*	M6*12 Hexagon Socket Head Cap Screw	8
15	1131242506*	ST4.2*25 Screws	36
16	1810250100	Bushings	1
17	4601022290	Wiring Terminal	1
18	4700205300*	Wire	2
19	4638112275	Vertical Plug	2
20	4702005000	USB Cable 5m	2
21	4501930290	Power Adaptor 19V	1
22	3562010000	Expandable Polyester Sleeving	1
23	4703021500	Power Cord NA 1.5m	1
24	3540415001*	Cable Ties 4*150	4

\*Not available to order separately. Local purchase recommended.

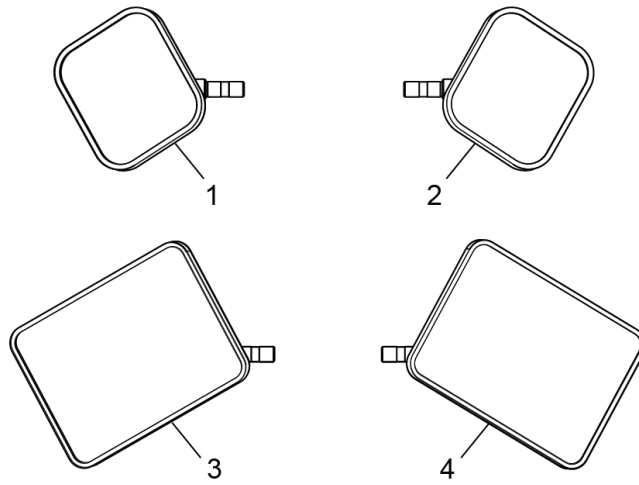
# Camera



Pos.	SP No.	Identification	Qty
1	8033020800	Aluminium Camera Housing	1
2	8033051100	Right Camera V2	1
	8033052100	Left Camera V2	1
3	8033050201	Multi Assistant LED Board	1
4	1111061604*	M6*16 Hex Socket Set Screws with Flat Point	4
5	1111064004*	M6*40 Hex Socket Set Screws with Flat Point	3
6	1212060002*	M6 Lock Nut	1
7	1116030801*	M3x8+6 Copper Shim	4
8	1117030807*	M3*8 Philips Pan Head Screw	4
9	1282060001*	M6 Hex Thin Nut	1
10	1212030001*	M3 Nut	4
11	8033050300	Camera Support	1
12	1411060001	Bearing (GEBK6S)	1
13	8033050900	Fixing Plate	1
14	1111031006*	M3*10 Philips Undersunk Screw	8
15	1112062506*	M6*25 Philips Undersunk Screw	1
16	8033060600	2*10 Pin Ribbon Cable	1

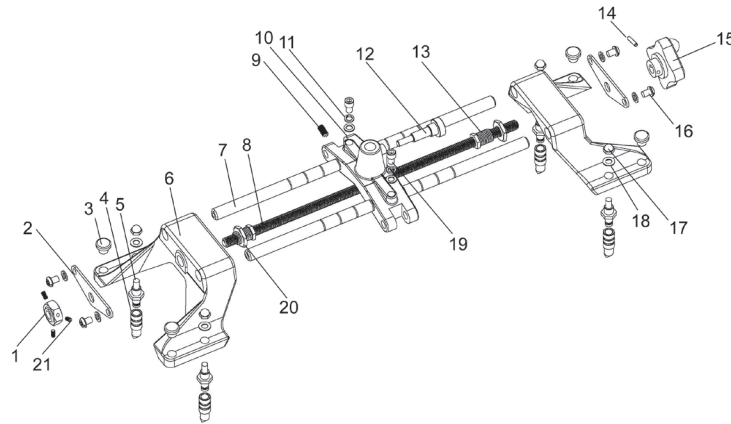
\*Not available to order separately. Local purchase recommended.

# Target



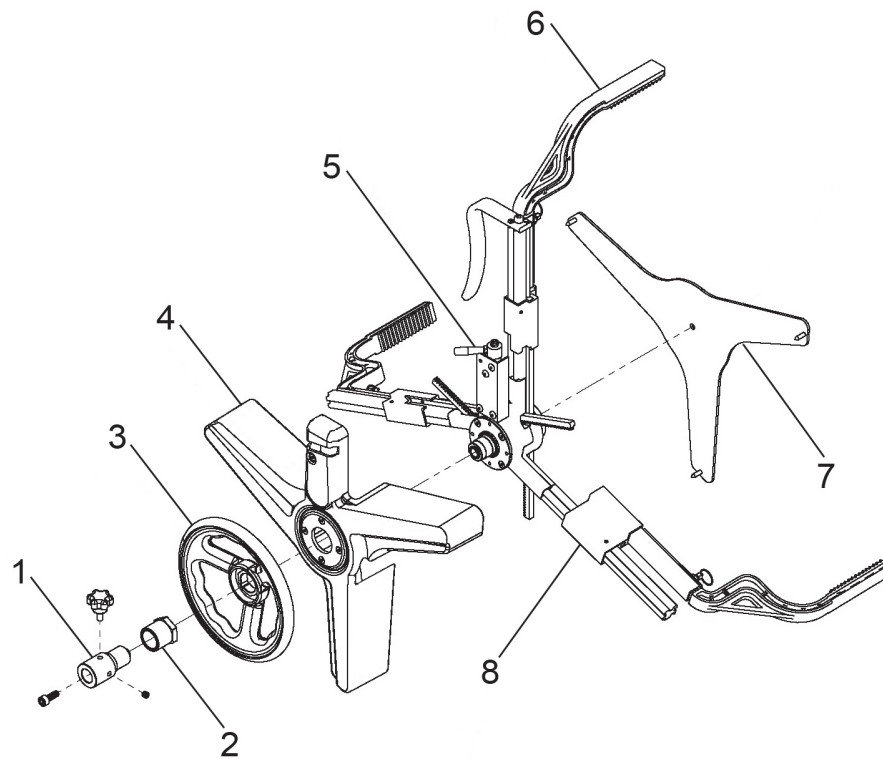
Pos.	SP No.	Identification	Qty
	<b>8032400010</b>	<b>BDM Mini Target-Full Set-Extended Spindle-B</b>	
1	8032410110	BDM Target- LF-Extended Spindle-B	1
2	8032410210	BDM Target- RF-Extended Spindle-B	1
3	8032420110	BDM Target- LR-B	1
4	8032420210	BDM Target- RR-B	1

# Wheel Clamp



Pos.	SP No.	Identification	Qty
	<b>8013060000</b>	<b>25 inch Wheel Clamp</b>	
1	8013010100	Wheel Clamp End Nut	1
2	8013010200	Wheel Clamp End Plate	2
3	8013010300	Wheel Clamp Plastic Plug	4
4	8013010400	Wheel Clamp Standard Finger	4
5	8013010500	Wheel Clamp Standard Finger Holding Stud	4
6	8013010600	Wheel Clamp Lower Casting	2
7	8013010700	Wheel Clamp Slider Rod	2
8	8013010800	Wheel Clamp Main Treaded Shaft	1
9	8013012500	Wheel Clamp Locking Screw	1
10	8013011000	Wheel Clamp Center Spindle Casting	1
11	8013011800	Wheel Clamp Washer	6
12	8013012600	Wheel Clamp Spindle Locking Bolt	1
13	8013012300	Wheel Clamp Threaded Brass Bushing Lower	2
14	8013012700	Wheel Clamp Spring Pin	1
15	8013011600	Wheel Clamp Adjustment Knob	1
16	8013011700	Wheel Clamp Slider Rod Lock Thumb Screw	4
17	8013011900	Wheel Clamp Stud Acorn Nut	4
18	8013012000	Wheel Clamp Stud Washer	6
19	8013012100	Wheel Clamp Locking Screw	2
20	8013011500	Wheel Clamp Threaded Brass Bushing Upper	2
21	8013012400	Wheel Clamp End Nut Locking Set Screw	3
	8013011400	Hubcap Finger	1
	8013012100	Meg Finger	1
	8013013000	Set of Meg Finger	1
	8013013100	Set of Hubcap Finger	1

# Quick Wheel Clamp



Pos.	SP No.	Identification	Qty
	<b>8013061200</b>	<b>QC20 Quick Wheel Clamp</b>	
1	8038010270	Base	1
2	8038010260	Nuts	1
3	8038010250	Adjustment Wheel	1
4	8038010240	Front Cover	1
5	8038010140	Handle	1
6	8038010200	Leg	3
7	8038010280	Back Cover	1
8	8031061201	Core Component	1

## Notes