



APS 3000 LEVERLESS TIRE CHANGER



Leverless Duckhead® Bead Lifter
This feature eliminates traditional tire tools that can mar the surface due to application difficulty.



Robo-Arm® Helper Device
Device assists in efficiently changing low profile or run flat tires.



Manual Locking System
Manual locking system allows for fast and easy wheel clamping.

APS 3000 LEVERLESS TIRE CHANGER



To learn more about Coats products, contact your authorized Coats distributor for the dealer nearest you.

COATS

CONTACT US NOW

www.coatsgarage.com
or call 1-855-876-3864

APS 3000 LEVERLESS TIRE CHANGER

SPECIFICATIONS

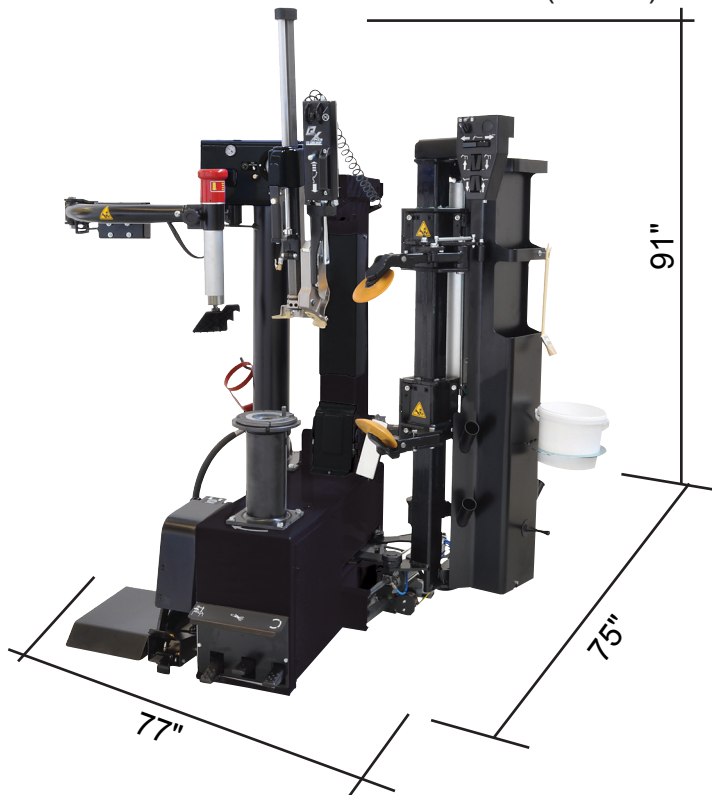
Clamping Range	12" - 34"
Maximum Tire Diameter	47"
Maximum Rim Width	16"
Operating Pressure	115 - 145 psi
Bead Loosening System	Roller Disc
Wheel Clamping System	Manual
Mount/Demount Mechanism	Leverless/Tilt-back
Helper Devices	Robo-Arm®, Bead Loosener Disks
Bead Seating Air Volume	On Machine
Inflation Gauge	Standard
Air Supply Gauge	Standard
Power Supply	230V, 50/60 Hz, 1 ph, 20A
Footprint	90"h x 77"w x 75"d
Ship Weight	940 lbs.
Warranty	1 Year Parts, 6 Months
Part Number	800APS3000

ACCESSORIES

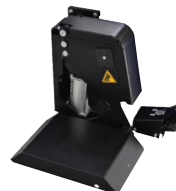
Part Number	Description
89231517	Table Top Pad (2)
82041474	Adjustment Knob for Smart Lock
83040730	Plastic Cone (70mm)
83019057	Plastic Protectors for Smart Lock Centering Cone (2)
83032133	Pin Extensions (Medium - 33mm)
83031335	Pin Extensions (Large - 72mm) (2)
89231518	Positioning Pin Bootie
89237711	Manual Bead Depressor
89231515	Plastic Protectors for Mount/Demount Tool (3)
8183710	Paste Lube Bucket
85000850	Paste Lube Brush
83032475	Light Truck Cone - 5.86" center bore
89242832	Reverse Mount Adaptor

EQUIPMENT FOOTPRINT

Overall dimensions (inches)



FEATURED ACCESSORIES



Wheel Lift
(PN 89240910)



Inflation System
(PN 89241008)

COATS