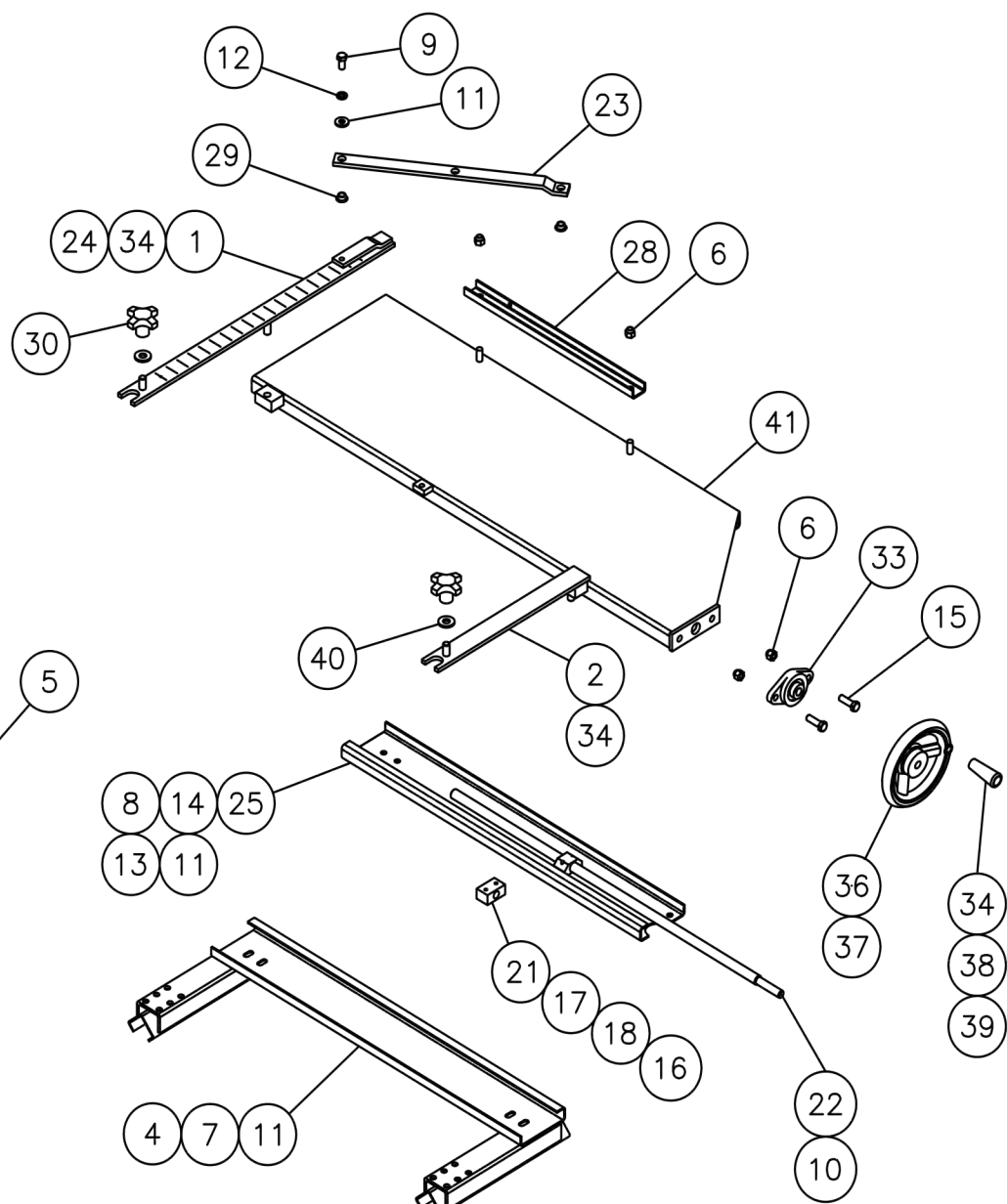
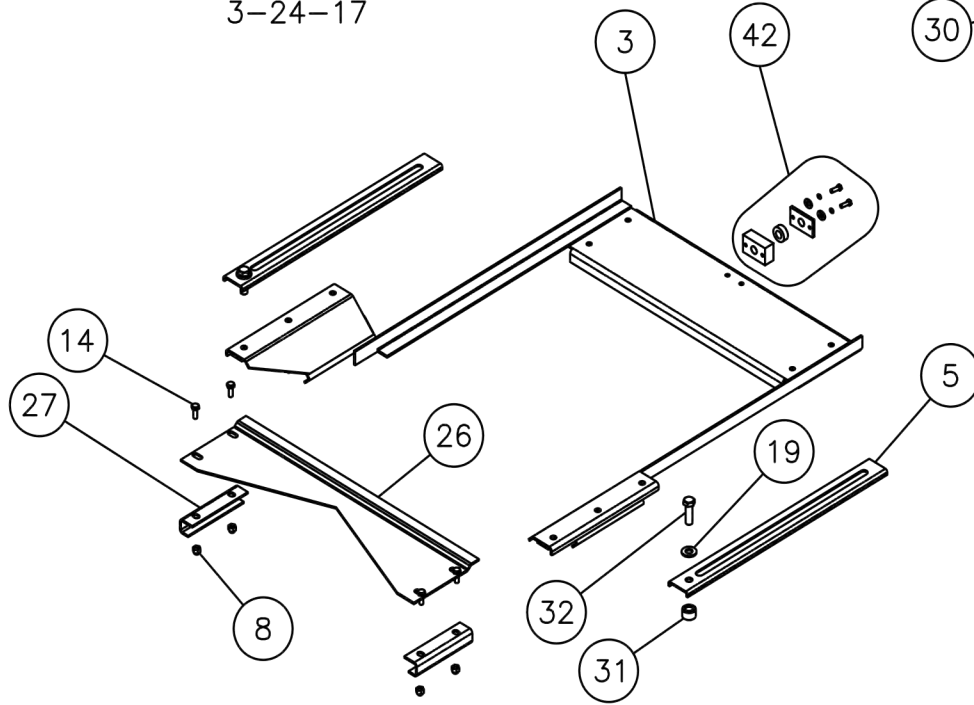
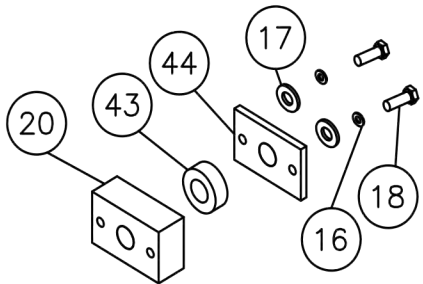




REPAIR PARTS LIST
 711 TIRE TRUER
 UPPER PORTION
 3-24-17

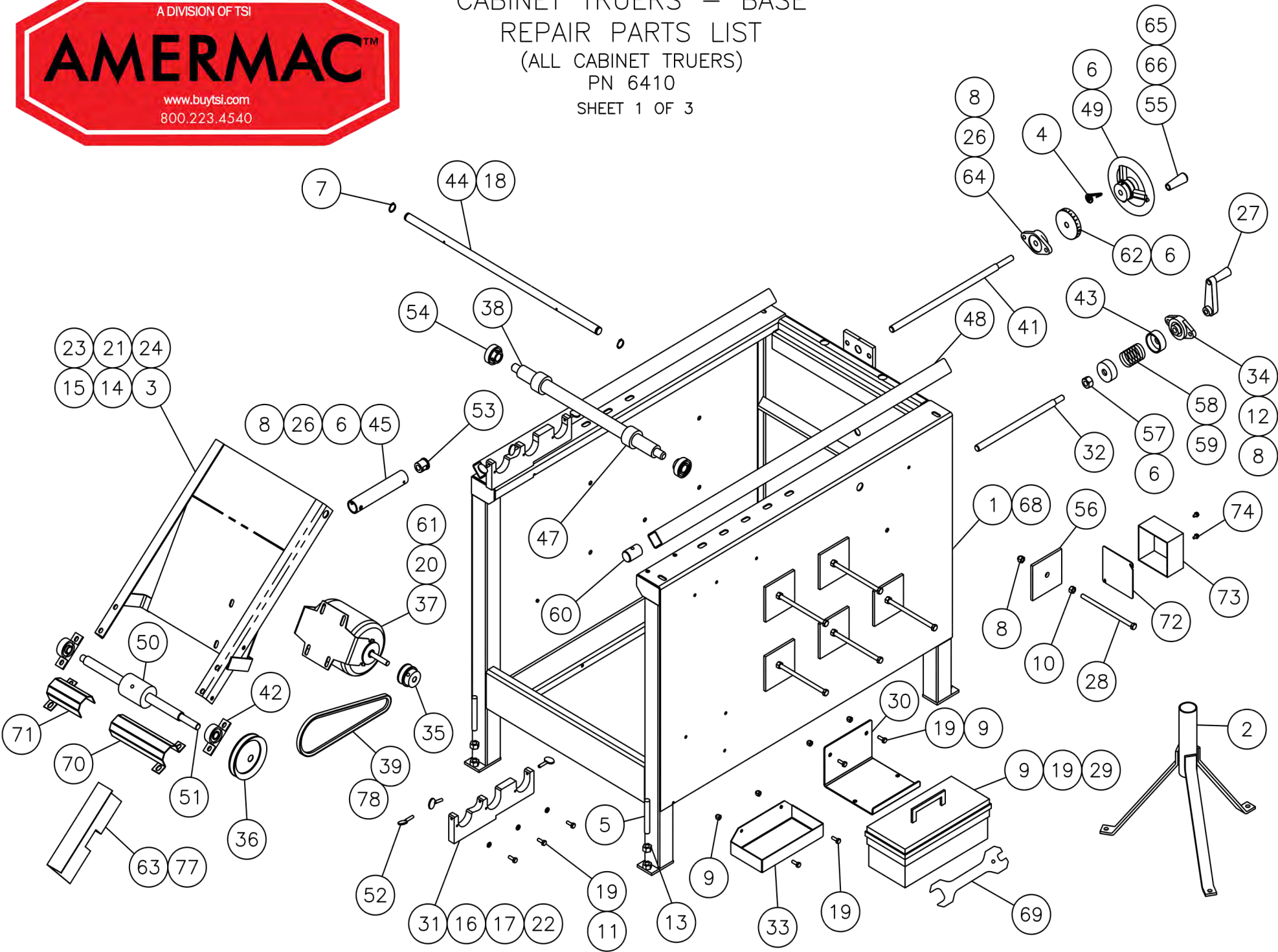


42 #6447K Infeed Adjustment kit





CABINET TRUERS – BASE REPAIR PARTS LIST (ALL CABINET TRUERS) PN 6410 SHEET 1 OF 3



CABINET TRUERS - BASE

REPAIR PARTS BOM

Page 1 of 2

PN: 6410

BEGINNING SERIAL NO.0000

6/8/2015

PARTS LIST

ITEM	PART NO.	DESCRIPTION	QTY
1	6246	BASE WELDMENT	1
2	6281	TIRE STAND	1
3	6304	CRADLE, DRIVE ROLLER	1
4	6345	POINTER, GUIDE	1
5	218.028	SS SQ HD 1/2-13 X 2-1/2 PLATED	2
6	275.028	SHSS 1/4-20 X 3/8 CUP PT	4
7	196	SNAP RING 3/4" EXT	2
8	212	NUT 3/8-16 HEX NYLOK	11
9	226	NUT 1/4-20 NYLOK	6
10	398	NUT 3/8-16 HEX STD	6
11	445	WASH 1/4 FLAT	6
12	447	HHCS 3/8-16 X 1-1/4 PLATED	2
13	535	NUT HEX 1/2-13 STD	2
14	565	HHCS 5/16-18 X 1	4
15	566	NUT 5/16-18 NYLOK	8
16	700	WASHER 3/8 WROUGHT	8
17	719	HHCS 3/8-16 X 3/4	4
18	847	COTTER PIN 1/8 DIA X 1-1/4 LG	2
19	903	HHCS 1/4-20 X 3/4 GR2	12
20	1204	FL SP TERMINAL 8-10 STUD 16-14 WIRE	1
21	1318	WASHER 5/16 WROUGHT	8
22	1354	WASHER 3/8 LOCK	4
23	1630	WASHER 5/16 SPRING LOCK	8
24	1737	HHCS 5/16-18 X 3/4	4
25	3031	DECAL - WARNING	1
26	3500	HHCS 3/8-16 X 1-1/2 GR5	3
27	4954	CRANK W/HANDLE	1
28	10394	HHCS 3/8-16 X 7	6
29	11646	TOOL BOX	1
30	12036	TOOL BOX SUPPORT	1

PARTS LIST

ITEM	PART NO.	DESCRIPTION	QTY
31	15040	PILLOW BLOCK SADDLE	2
32	15050	SCREW, CRADLE	1
33	15051	TOOL BOX, SHORT	1
34	15052	FLANGE BEARING, 5/8"BORE	1
35	15057	PULLEY A-BELT 2.0 OD X 1/2"BORE	1
36	15058	PULLEY A-BELT 4-1/2 OD X 5/8"BORE	1
37	15067	MOTOR 1/3HP 115V 60Hz 1800rpm	1
38	15396	MANDREL 21" TRUER	1
39	15089	V-BELT, 4L TYPE 4L290	1
40	15090	WRENCH, MANDREL NUT	1
41	15140	SCREW, DRIVE	1
42	15143	BEARING, PILLOW BLOCK 5/8" BORE	2
43	15146	CUP, SPRING (on 15050 drive screw)	2
44	15148	ROD, CRADLE PIVOT	1
45	15155	TUBE, RAISING CRADLE	1
46	15160-1	DECAL - AMERMAC/TSI MAIN	1
47	15195	NUT, MANDREL	2
48	15212	MAIN RAIL	2
49	15216	WHEEL HANDLE 6"	1
50	15218	ROLLER, TIRE DRIVE	1
51	15219	SHAFT, TIRE DRIVE	1
52	15222	THUMB SCREW 1/4-20 X 1	6
53	15278	NUT, CRADLE, BRASS	1
54	15291	BEARING 1.85 OD X 3/4 ID - RB (CSB204-12)	2
55	15308	ROTATING HANDLE, KNOB	2
56	15312	RUBBER STOP	6
57	15315	NUT, JAM 5/8-8 ACME-2G L.H. DOUBLE	1
58	15316	SPRING 1.625 X 3" X .180 DIA WIRE	1
59	15317	SPRING 1.125 X 3" X .166 DIA WIRE	1
60	15323	RAIL MOUNT	4

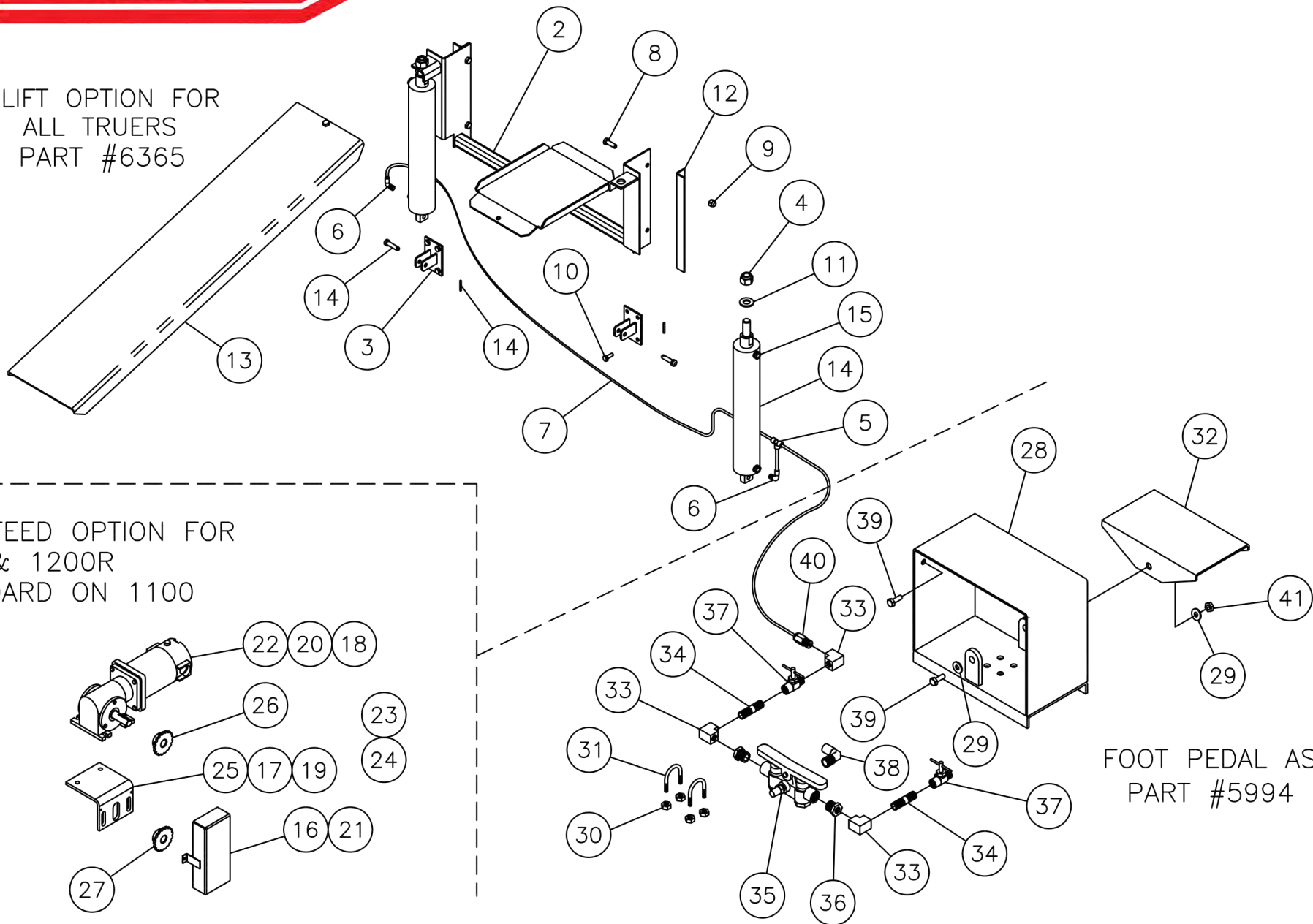
A DIVISION OF TSI

AMERMAC™

www.buytsi.com
800.223.4540

TRUER OPTIONS REPAIR PARTS LIST

LIFT OPTION FOR
ALL TRUERS
PART #6365



FOOT PEDAL ASY
PART #5994

A DIVISION OF TSI

AMERMACTM

www.buytsi.com

800.223.4540

TIRE TRUER OPTIONS

REPAIR PARTS BOM

Page 1 of 1

PN: 0000

BEGINNING SERIAL NO.0000

6/8/2015

PARTS LIST

ITEM	PART NO.	DESCRIPTION	QTY
LIFT OPTION FOR ALL TRUERS #6365			
1	5994	FOOT PEDAL ASSEMBLY	1
2	6309	TIRE LIFT	1
3	6310	CYLINDER MOUNT	2
4	10.055	HEX NUT 1/2-20 JAM	2
5	339.096	TEE PUSH-IN 1/4 OD	1
6	342.096	ELBOW 90 DEGREE	2
7	460.268	HOSE 1/4 OD PLASTIC	AR
8	565	HHCS 5/16-18 X 1	4
9	566	NUT 5/16-18 NYLOCK	4
10	1819	HWHS 1/4-20 SELF TAP	8
11	207	LOCK WASHER 1/2	2
12	15303	SLIDE ANGLE	2
13	15305	RAMP	1
14	15443	AIR CYLINDER & HARDWARE	2
15	1767	MUFFLER	2

AUTO FEED OPTION FOR 711 & 1200, STD ON 1100

16	6378	COVER, SPROCKET DRIVE	1
17	446	HHCS 3/8-16 X 1 3/4	2
18	566	NUT 5/16-18 NYLOCK	2
19	1318	WASHER, 5/16 WROUGHT	6
20	3478	HHCS 5/16 X 1 1/4	2
21	4569	HWHST #10-24 X 3/4 TYPE 23 PLATED	2
22	10894	ELECTRIC DRIVE MOTOR	1
23	12239	CHAIN, ROLLER #35 PITCH (17 LINKS LG)	1
24	12240	CHAIN CONNECTING LINK & OFFSET	1
25	15283	BRACKET, MOTOR	1
26	15376	SPROCKET 35# 5/8 BORE, 14 TEETH	1
27	15377	SPROCKET 35# 1/2 BORE, 17 TEETH	1

PARTS LIST

ITEM	PART NO.	DESCRIPTION	QTY
FOOT PEDAL ASSEMBLY #5994			
28	5759	VALVE HOUSING WELD	1
29	1318	WASHER, 5/16 FLAT	2
30	226	NUT, 1/4-20 SELF LOCK	4
31	1312	U-BOLT	2
32	4770	FOOT PEDAL	1
33	905	ELBOW 1/8 NPT	3
34	869	NIPPLE 1/8 NPT X 1 1/2	2
35	218	VALVE, PNEUMATIC	1
36	235	REDUCER BUSHING 1/4 NPT X 1/8 NPT	2
37	867	NEEDLE VALVE	2
38	360.096	CONN 1/4 OD HOSE X 1/4 NPT - 90 DEG	1
39	565	CAP SCREW, 5/16-18 X 1	3
40	365.096	CONN 1/4 OD HOSE X 1/8 NPT STRAIGHT	1
41	566	NUT, 5/16-18 SELF LOCK	3